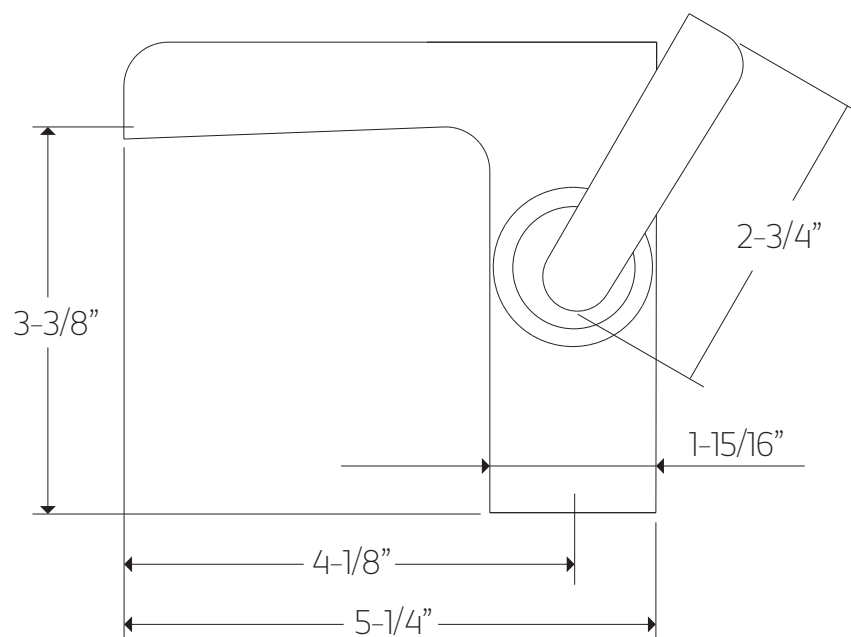
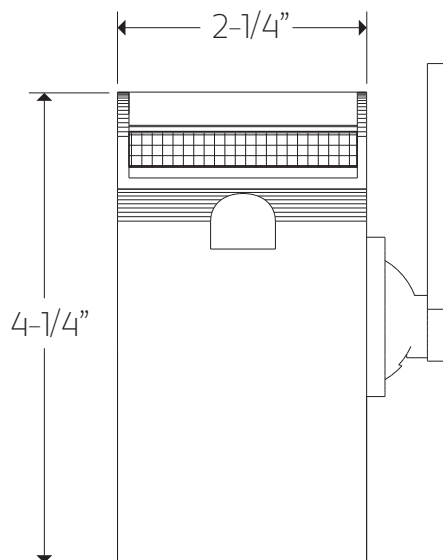




F801-1

## TECHNICAL DATA SHEET

cascade lav faucet



# artos<sup>®</sup>

F801-1

## OPERATING SPECIFICATIONS

kascade lav faucet



### OPERATING PRESSURE

Minimum: 15 psi

Maximum: 75 psi

90psi+ may be necessary to install a pressure reducer

### OPERATING TEMPERATURE

Maximum: 176°

### FLOW RATE

1.2 USGPM

### REQUIREMENTS

Max Surface Thickness: 1-5/8"

### APPROVALS

