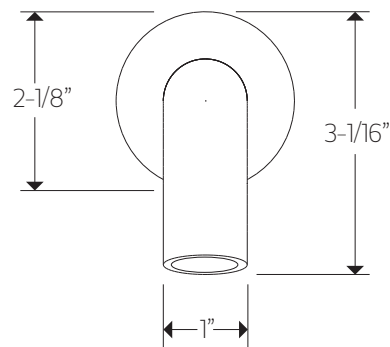
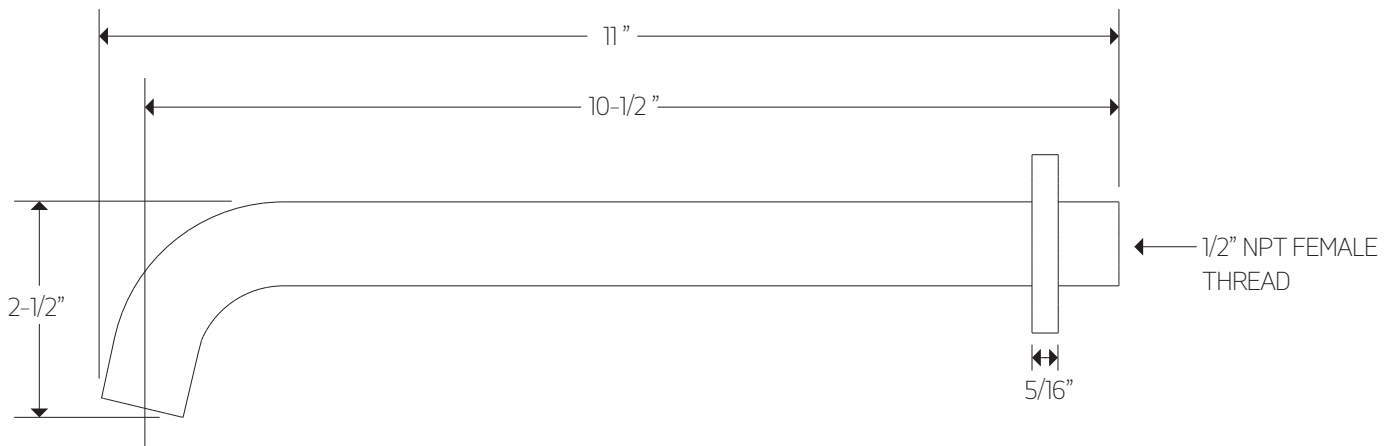


F908-5

**TECHNICAL DATA SHEET**

opera extended wall  
mount tub filler



# artos<sup>®</sup>

## F908-5

## OPERATING SPECIFICATIONS

opera extended wall  
mount tub filler



### OPERATING PRESSURE

Minimum: 15 psi

Maximum: 75 psi

Above 90psi it may be necessary to install a pressure reducer

### OPERATING TEMPERATURE

Maximum: 176°

### FLOW RATE

4.5 USGPM

### INLET/OUTLET

1/2" Female

### REQUIREMENTS

This unit requires a control