

DES 24" WALL-HUNG BASIN

Cat. No.
4-160XWH



Faucet not included



Mounting hardware

W: 24" top, 24-1/8" bottom
D: 18" top, 18-1/8" bottom
H: 5-1/2"

***Please do NOT drill hole without template or actual product.**

Interior Dimensions:

Basin interior:	12" x 14"
Basin depth:	3-5/8"
Mount holes cc:	11-1/4"
Back of Basin to Center of Faucet:	2-1/8"
Back of Basin to Center of Drain:	8-1/2"
Faucet hole diameter:	1-1/4"
Flange:	6" D x 3" W

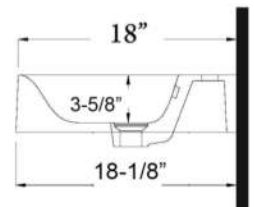
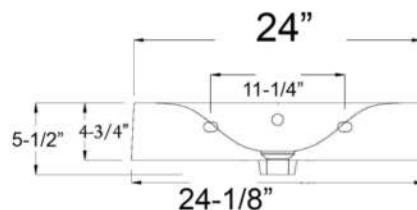
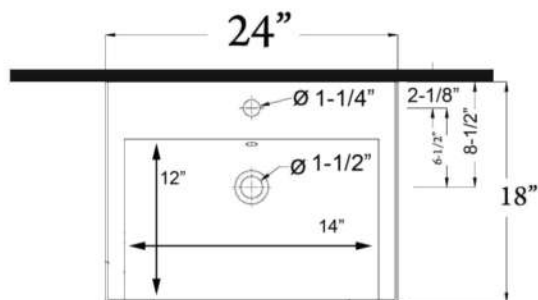
Features:

- ▶ Fine Fire Clay construction for durability
- ▶ Chip and stain resistant
- ▶ Available pre-drilled for 1-hole faucet (**4-1601WH**), 4" centerset (**4-1604WH**), or 8" widespread (**4-1608WH**)
- ▶ Pre-drilled overflow
- ▶ Mounting hardware included
- ▶ For ease installation order hangers (pair) or bracket (one)

Colors:

WH White

Compliance Certification
Meets or exceeds the following specifications: ASME A112.19.2 2018 and CSA B45.1-18 for Fire Clay ceramic plumbing fixtures.



Dimensions of fixture are nominal and may vary within the range of tolerances established by ANSI Standard A112.19.2.2018 Dimensions and specifications subject to change without notice.