

**HALIFAX
61" CAST IRON
SLIPPER TUB**

Cat. No.
CTSN611



L: 61-1/4"
W: 30-1/4"
H: 21-1/2" - 31 (from floor to top of tub)
15-1/2" - 23-3/4" (from bottom of tub to top of tub)

Water Depth: 16-1/8" at to top of tub
Water depth: 14-3/8" to overflow
Overflow hole: 1 1/2"

The following is recommended for CTSN611 tubs:
 •Faucet: part #4602, 4604 or 7082
 •Rigid, freestanding supplies: part #4502
 •Leg tub drain: part #5599

Gallon Capacity: 45
Shipping Weight: 465 lbs.
Empty Weight: 285 lbs.
Filled Weight: 661 lbs.

Features:

- ▶ Inside finish is white enamel
- ▶ Tub exterior is white (epoxy)
- ▶ No faucet holes
- ▶ Non-skid strips
- ▶ Pre-drilled overflow hole
- ▶ Cast Iron imperial feet available in 8 finishes
- ▶ Tub is thoroughly inspected before shipment

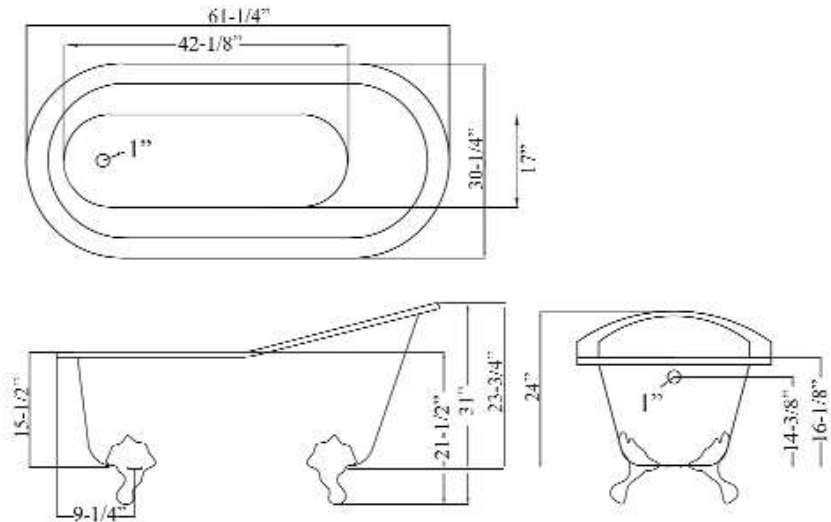
Foot Finishes:

- BL** Painted Black
- BQ** Painted Bisque
- PB** Polished Brass
- CP** Polished Chrome



- PN** Brushed Nickel
- BN** Brushed Nickel
- WH** Painted White
- ORB** Oil-Rubbed Bronze

Custom Colors Available (inside of tub is always white enamel):
 Painted bathtubs are considered "special order" and are not returnable
 \$160 Bisque or Black \$250 Designer Color



Dimensions of fixture are nominal and may vary within the range of tolerances established by ANSI Standard A112.19.2. Dimensions and specifications subject to change without notice.