

**33" BRANDI DOUBLE  
BOWL FARMER SINK**

Cat. No  
FSGDB4540



W: 33"  
D: 20"  
H: 10"

**Features:**

- ▶ Crafted from natural granite
- ▶ Easy to clean
- ▶ Polished interior and exterior
- ▶ Each individual stone sink is unique and varies
- ▶ Standard 3-1/2" drain opening fits most drains and disposals
- ▶ We recommend sealing with StoneTech sealer before use
- ▶ Optional support bars sold separately
- ▶ Unpolished naturally chiseled apron front
- ▶ No faucet holes
- ▶ Available in 2 finishes
- ▶ Flange extension required

**Finishes:**

**GPBG** Polished Blue-Gray Granite  
**GPBL** Polished Black Granite

**\*Please do NOT cut hole without  
template or actual product.**

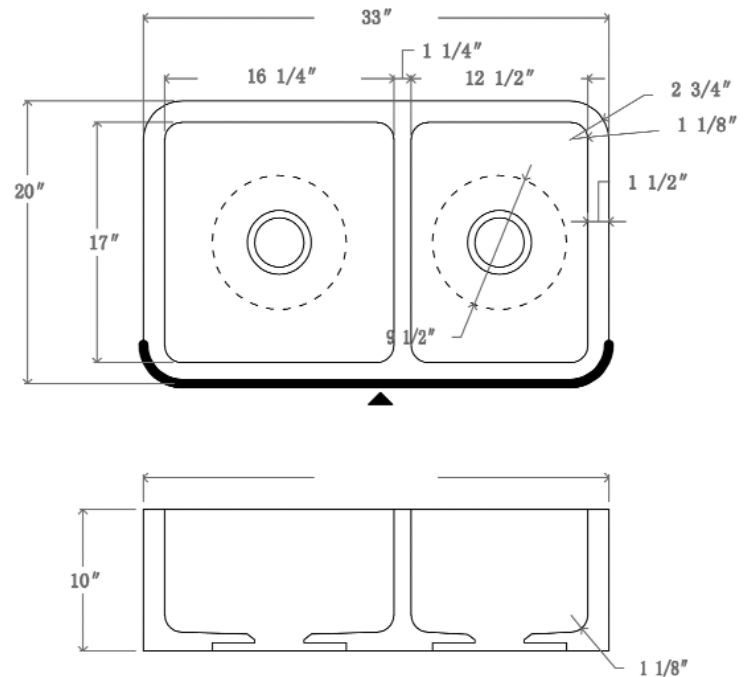
**Interior Dimensions:**

**Large**

Basin Interior: 16 1/4" W x 17" D  
Basin Depth: 8"

**Small**

Basin Interior: 12 1/2" W x 17" D  
Basin Depth: 8"



Dimensions of fixture are nominal and may vary slightly. Dimensions and specifications subject to change without notice.