

NIALL SPRING SINGLE HANDLE KITCHEN FAUCET

Cat. No.
KFS416-L1



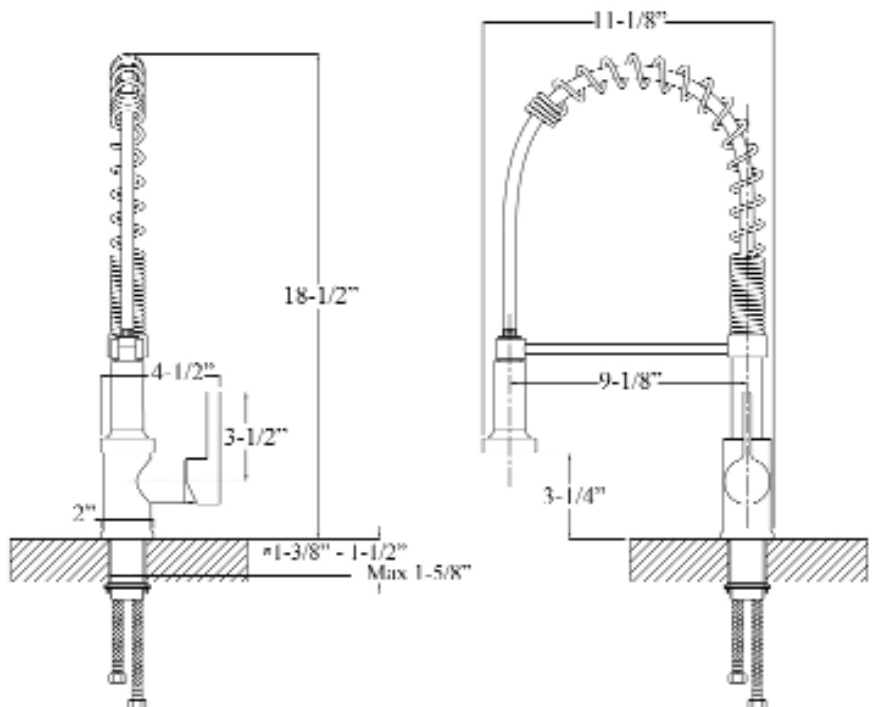
L: 4-1/2"
W: 11-1/8"
H: 18-1/2"

Features:

- ▶ Constructed of solid brass
- ▶ Spring gooseneck spout
- ▶ Magnetic pull down spray
- ▶ Includes 2 braided hoses
- ▶ Hoses have 1/2" male connectors
- ▶ Ceramic disc cartridges
- ▶ Height to spout 3-1/4"
- ▶ Spout reach 9-1/8"
- ▶ Flow rate is 1.8 GPM at 60 psi
- ▶ cUPC/NSF/AB1953 Certified

Finishes:

- CP** Polished Chrome
BN Brushed Nickel
ORB Oil Rubbed Bronze



Dimensions of fixture are nominal and may vary. Dimensions and specifications subject to change without notice.