

BRIZO® HAND SHOWER W/ SLIDE BAR

- 3 Function Handshower
- Certified Dual Check Valves
- 35" (889 mm) Slide Bar

STANDARD SPECIFICATIONS:

- Maximum 1.75 gpm @ 80 psi, 6.6 L/min @ 550 kPa
- 3 function handshower: massage, full and aerated soft spray
- Certified dual check valves
- 35" (889 mm) wall bar with adjustable slide (allows for adjustable shower height). Not to be used as a grab bar. Not ADA compliant.
- 60" - 82" (1524 mm - 2083 mm) stretchable finished metal hose
- Wall mount elbow included

WARRANTY

- Lifetime limited warranty on parts (other than electronic parts and batteries) and finishes; or, for commercial users, for 5 years from date of purchase.
- 5 year limited warranty on electronic parts (other than batteries); or, for commercial users, for 1 year from the date of purchase. No warranty is provided on batteries.

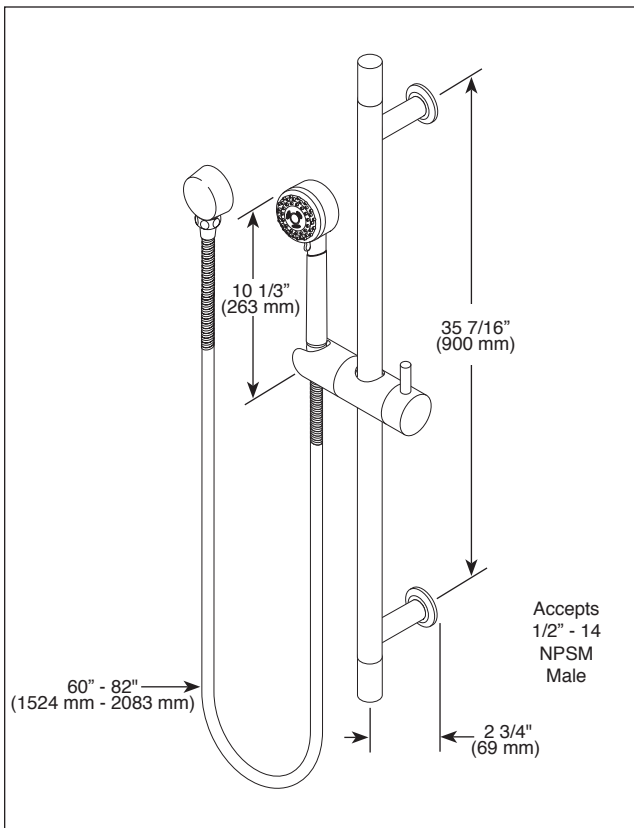


COMPLIES WITH:

- ASME A12.18.1 / CSA B125.1
- EPA WaterSense®

Submitted Model No.: _____

Specific Features: _____



▲ Designate proper finish suffix

Spray Pattern



Full Spray



Massage Spray



Soft Aerated Spray

Delta reserves the right (1) to make changes in specifications and materials, and (2) to change or discontinue models, both without notice or obligation. Dimensions are for reference only. See current full-line price book or www.brizo.com for finish options and product availability.

BSP-B-85521 Rev. F

Brizo Kitchen & Bath Company

55 E. 111th Street, Indianapolis, Indiana 46280
350 South Edgeware Road, St. Thomas, ON N5P 4L1
© 2017 Brizo Kitchen & Bath Company