

CRYSTORAMA

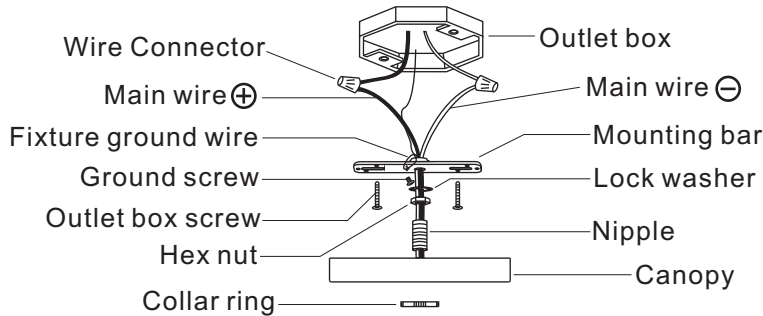
1958


95 Cantiague Rock Road, Westbury NY 11590
 ph:516.931.9090 fax:516.931.1254
 info@crystorama.com www.crystorama.com

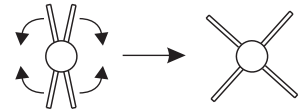
MODEL#: 2240-DB ASSEMBLY AND DRESSING INSTRUCTIONS

IMPORTANT

TURN OFF THE POWER AT THE MAIN FUSE OR CIRCUIT BREAKER BOX BEFORE STARTING INSTALLATION




 You will need 1-Med. BULB
 60 watts Recommended
 100 watts Max
 Bulb not included



Spread the arms so that the arms are at equal distance from each other.

