

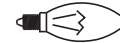
CRYSTORAMA

LIGHTING THE WAY FOR SIXTY YEARS

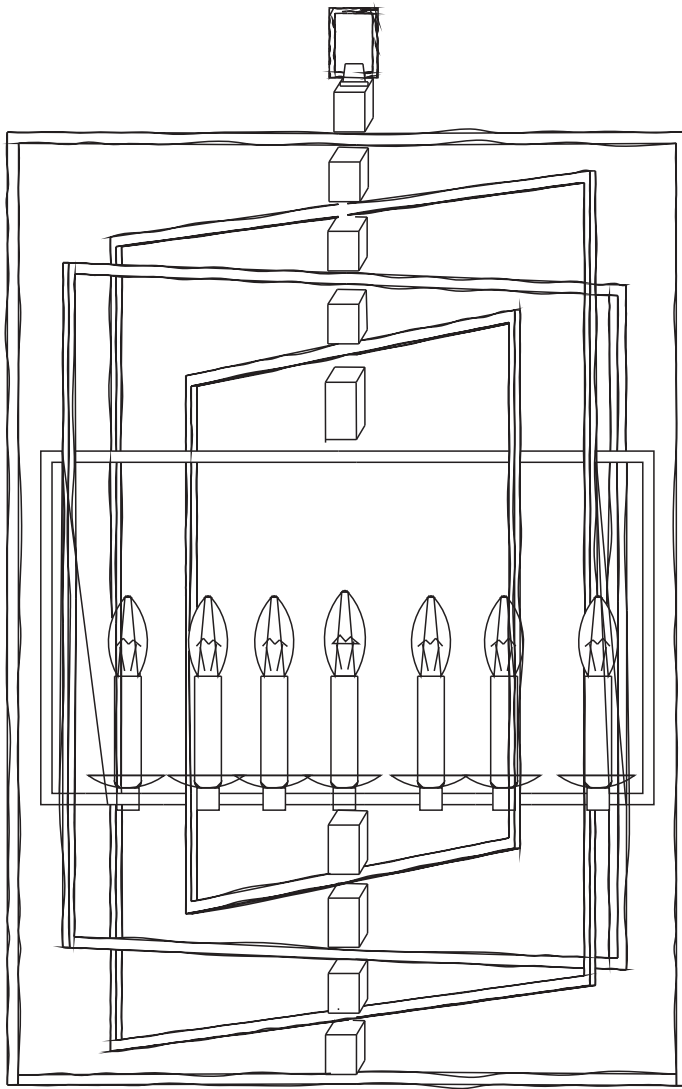
ASSEMBLY INSTRUCTION MODEL #339-GA



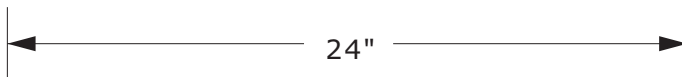
All electrical components must be installed by a licensed electrician in accordance with the National Electric Code and the appropriate local electrical codes.



You will need 7 -Candelabra Base Bulb
40 Watts Recommended 60 Watts Max.
USE LED BULBS FOR EXTENDED USE




38"



24"

How to Install

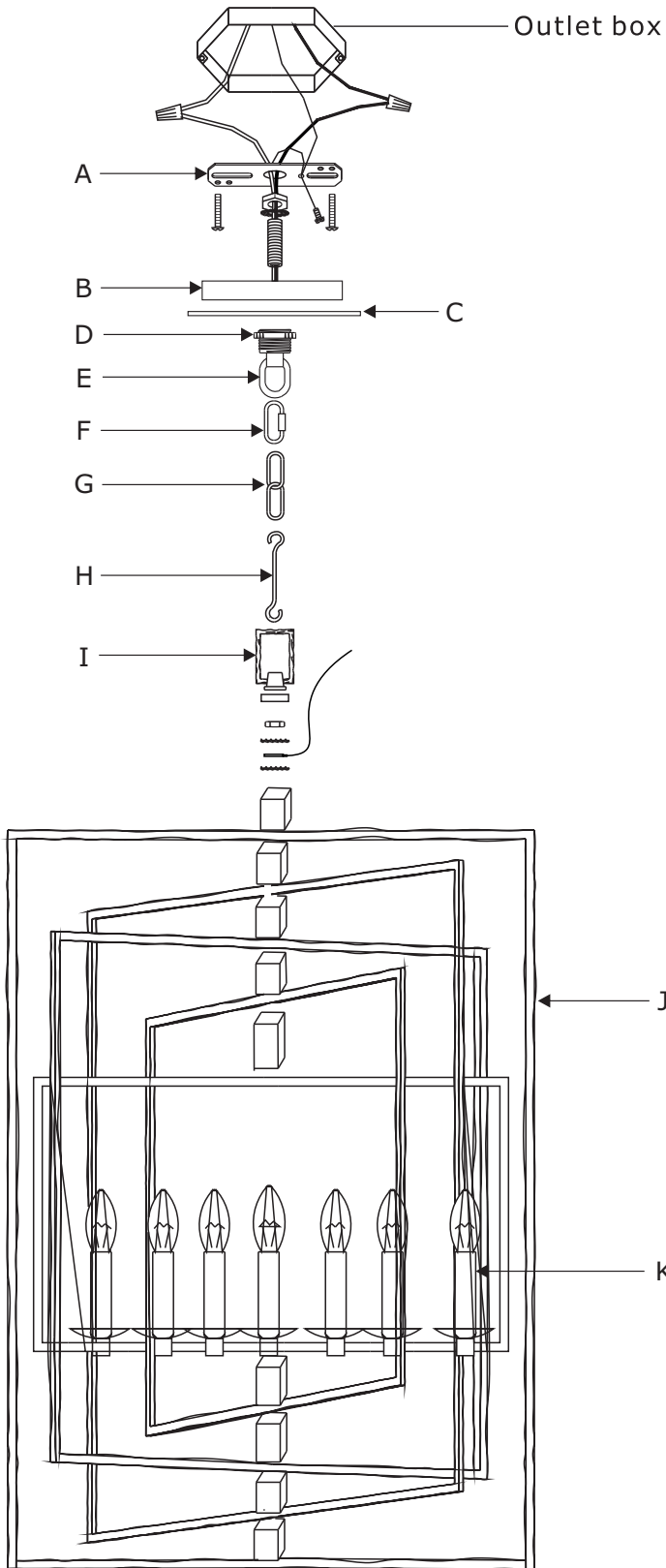
1. Do a complete inventory of all parts and components before you start installation.
2. Place the candle sleeve onto the socket, and insert recommended bulb (not included).

 **WARNING:** This product can expose you to Lead, which is known to the State of California to cause cancer and/or birth defects or reproductive harm. For more information go to www.P65Warnings.ca.gov.

CRYSTORAMA

LIGHTING THE WAY FOR SIXTY YEARS

PART NUMBER MODEL #339-GA



Part Number

- A. (1) - Mounting Hardware
- B. (1) - Square Canopy(W4.75", H0.75") #XRE336GACAN4.75IN
- C. (1) - Square Metal Plate
- D. (1) - Collar Ring
- E. (1) - Collar Loop
- F. (1) - Quick Link
- G. (1) - Hanging Chain(72",4mm) #XRE336GACHA4.0MM
- H. (1) - Hanging Stem(5mm)
- I. (1) - Fixture Loop
- J. (1) - Metal Frame
- K. (7) - Square Candle Sleeve(W0.87",H3.15") #XRE339GACDL3IN