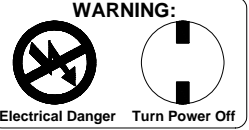


# CRYSTORAMA

1958  
 95 Cantiague Rock Road, Westbury NY 11590  
 ph:516.931.9090 fax:516.931.1254  
 info@crystorama.com www.crystorama.com

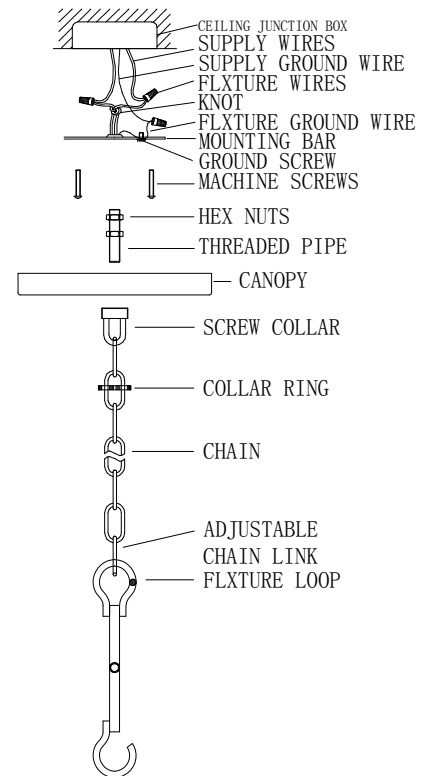
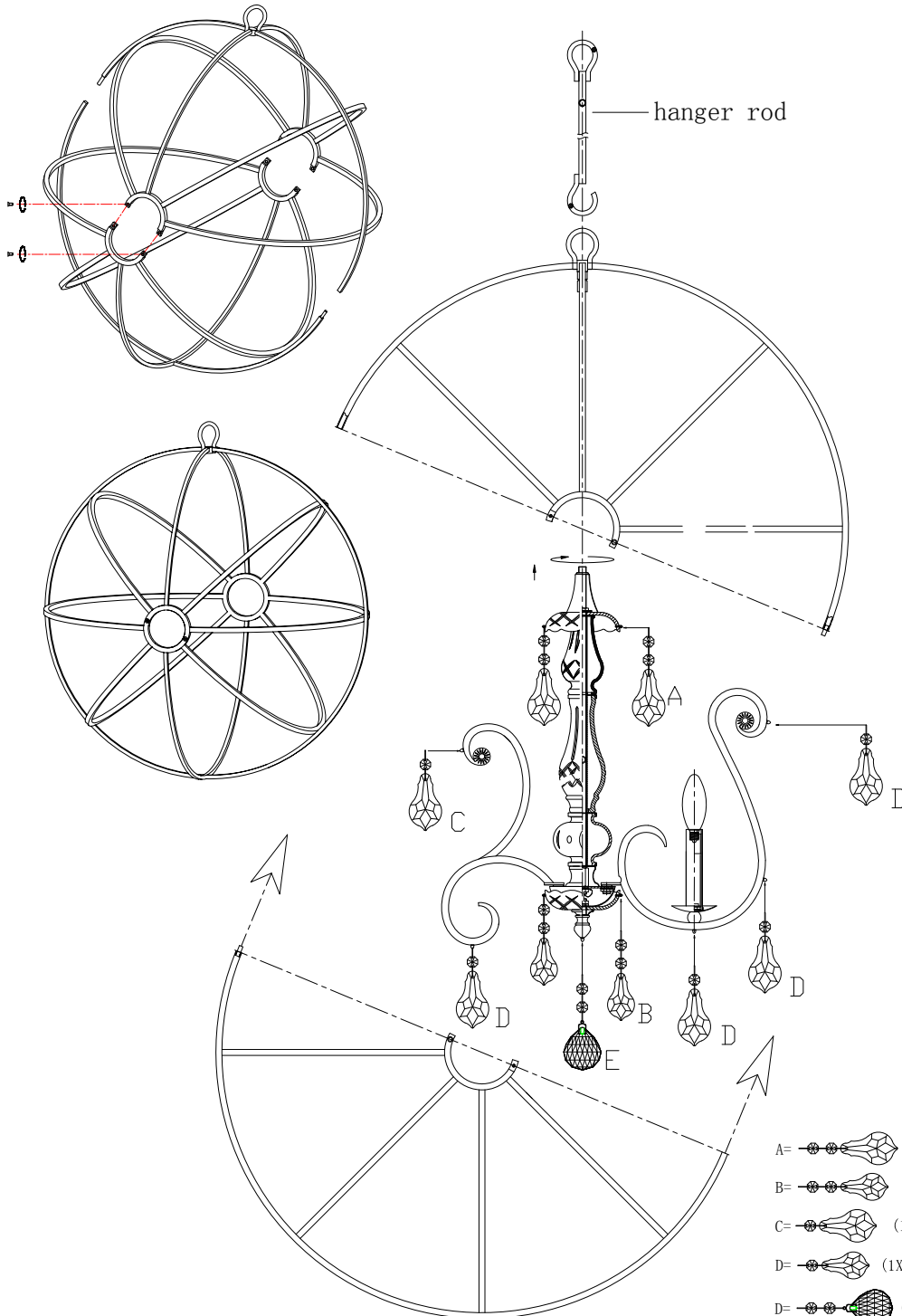
## MODEL#:9028-OS-CL-S ASSEMBLY AND DRESSING INSTRUCTIONS



All electrical components must be installed by a licensed electrician in accordance with the National Electric Code and the appropriate local electrical codes.



You will need 6 - Cand. Bulb  
 40 Watts Recommended  
 60Watts Max  
 Bulb not included



- A= (1X76mm Pendant+2X14mm Jewels)\*4pcs
- B= (1X63mm Pendant+2X14mm Jewels)\*4pcs
- C= (1X76mm Pendant+1X14mm Jewels)\*6pcs
- D= (1X63mm Pendant+1X14mm Jewels)\*24pcs
- D= (1X50mm Ball+2X14mm Jewels)\*1pc

2012-07-11