

# CRYSTORAMA

1958

95 Cantiague Rock Road, Westbury NY 11590

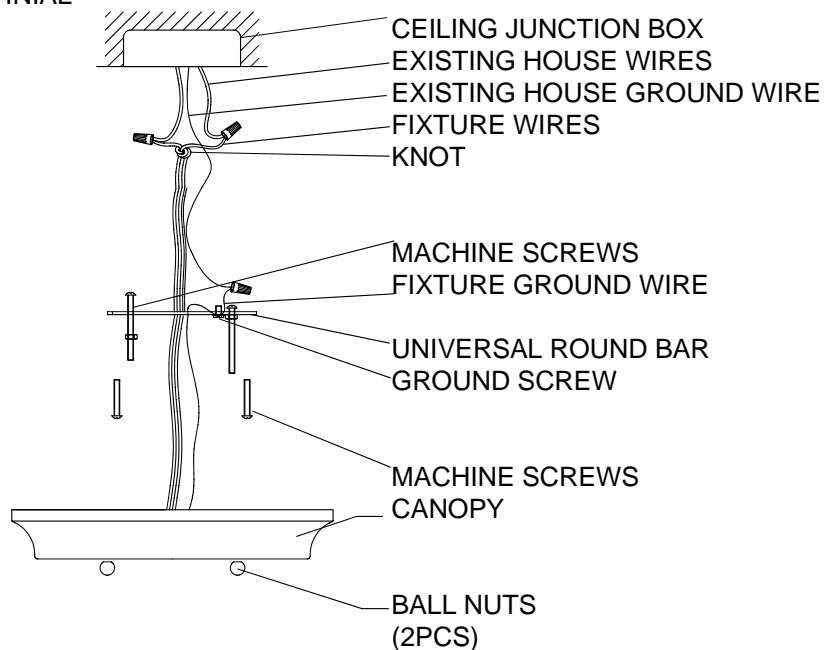
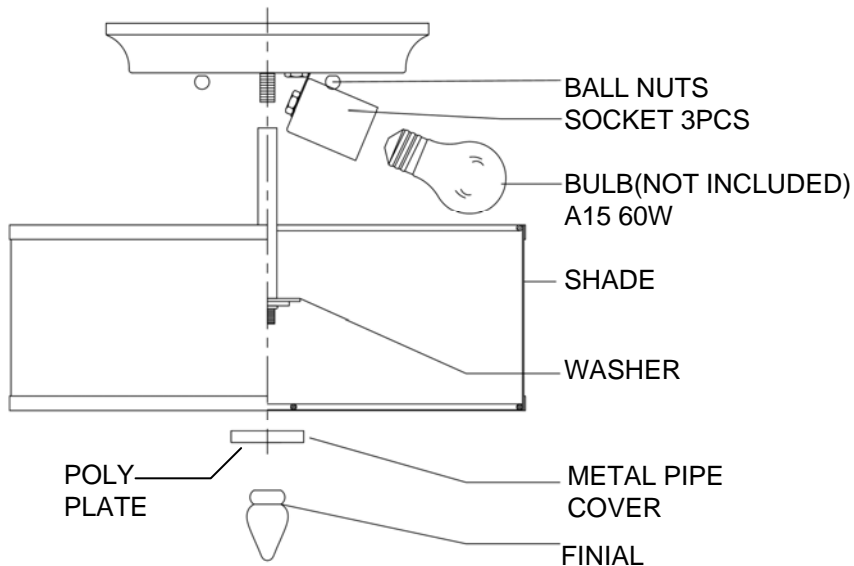
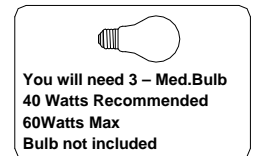
ph:516.931.9090 fax:516.931.1254

info@crystorama.com www.crystorama.com

## MODEL#:9503-AB ASSEMBLY AND DRESSING INSTRUCTIONS



All electrical components must be installed by a licensed electrician in accordance with the National Electric Code and the appropriate local electrical codes.



2014-12-25