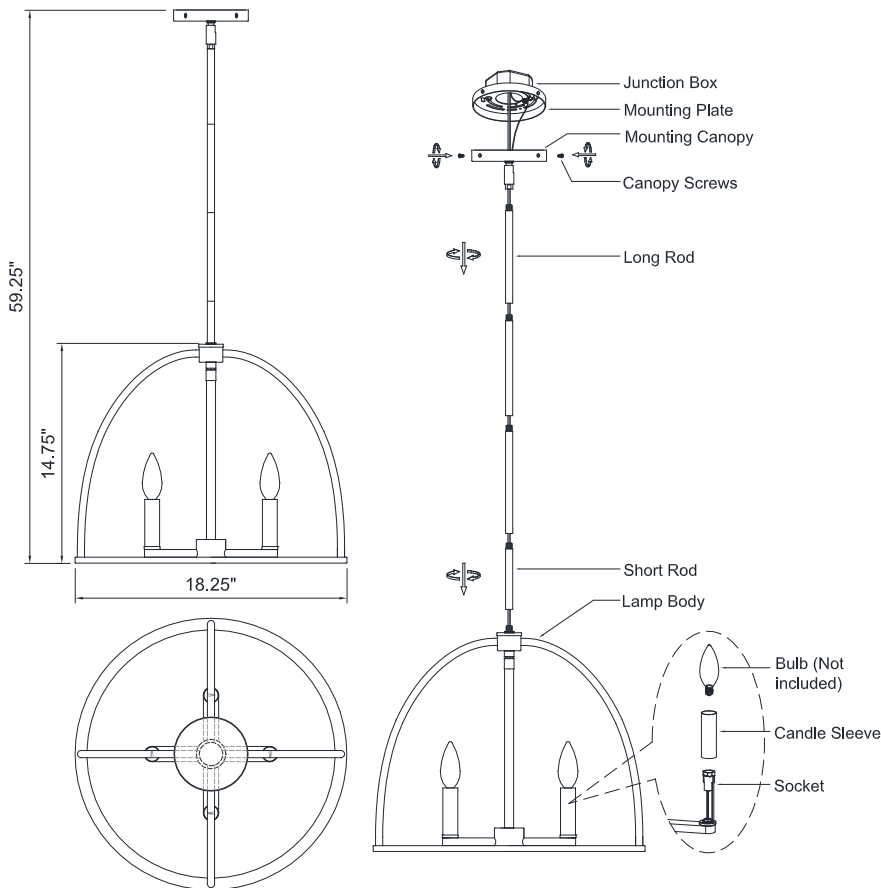


# CRYSTORAMA

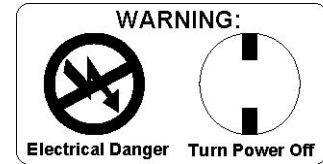
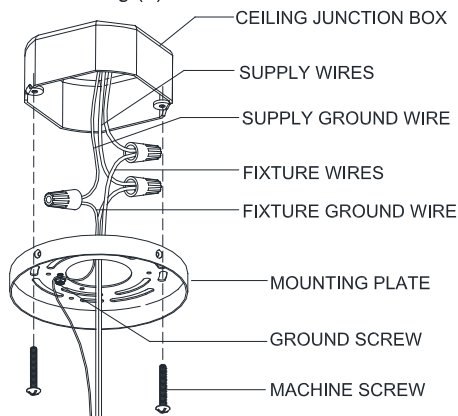
LIGHTING THE WAY FOR SIXTY YEARS

## ASSEMBLY INSTRUCTION MODEL #ABB-3004-VG

Drawing (1)



Drawing (2)



All electrical components must be installed by a licensed electrician in accordance with the National Electric Code and the appropriate local electrical codes.



You will need 4—Candelabra

60 Watts Max

USE LED BULBS FOR EXTENDED USE

This fixture is dry rated

**How to Install:**

1. Determine the desired hanging height and choose the correct length of rod.
2. Feed fixture wires through the rod and canopy. Connect the rods together and then screw the canopy onto the top of rods.
3. The canopy of the fixture can now be mounted to the ceiling by following instruction **Drawing 2**.
4. Place the Candle Sleeve over the Socket, then Install the Bulb to the Socket.

**Bulb replacement:**

1. Install the Bulb into the Socket.

**WARNING:** This product can expose you to lead, which is known to the state of California to cause cancer and / or birth defects or reproductive harm. For more information go to [www.P65warnings.ca.gov](http://www.P65warnings.ca.gov)

# CRYSTORAMA

LIGHTING THE WAY FOR SIXTY YEARS

## ASSEMBLY INSTRUCTION MODEL #ABB-3004-VG

### Part Number

#### Part Numbers

- A. (1) Mounting Hardware
- B. (1) Canopy; w5" x h0.75" (XFW3003VGCAN5IN)
- C. (3) Canopy Screw; w0.16" x h0.48"
- D. (3) Long Rod; w0.48" x h12" (XFW3003VGROD12IN)
- E. (1) Short Rod; w0.48" x h6" (XFW3003VGROD6IN)
- F. (1) Lamp Body
- G. (4) Bulbs (Not Included)
- H. (4) Candle Sleeve; w1" x h3.35" (XFW3004VGC DL3.35IN)

