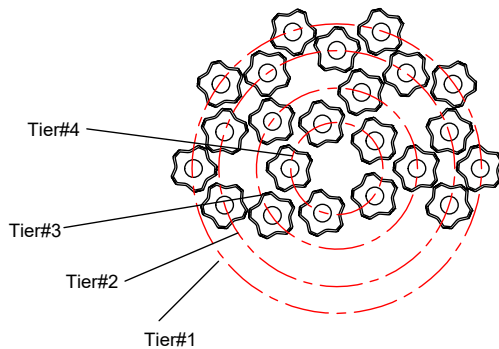
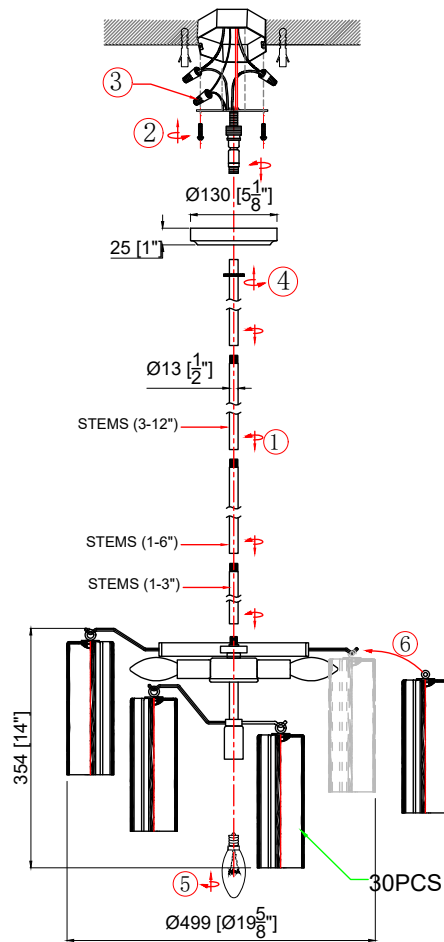


# CRYSTORAMA

LIGHTING THE WAY FOR SIXTY YEARS



## ASSEMBLY INSTRUCTION MODEL ADD-306-AG-CL



**Dress the glass from tier #4.**



All electrical components must be installed by a licensed electrician in accordance with the National Electric Code and the appropriate local electrical codes.



You will need 6 – Candelabra Base Bulb  
40 Watts Recommended 60 Watts Max.  
USE LED BULBS FOR EXTENDED USE  
This Fixture is Dry Rated

### How to Install

1. Decide the preferred hanging height and choose the correct number of rods needed.
2. Feed the wires through the rods, screw collar ring and canopy (with a bigger center hole). Screw the rods together. Screw one end of the rod assembly onto the top of frame and the other end onto the swivel on the mounting strap.
3. Attach the mounting strap onto the outlet box.
4. Raise the fixture up to the ceiling and do the wire connections. Slip the canopy up along the rods and over the mounting strap. Secure with the screw collar ring.
5. Install the bulb into the socket.
6. Dress the glass as illustrated.

### Glass Sets

1. 30 pcs Clear glass 2 3/4x7 3/4"

**WARNING:** This product can expose you to Lead, which is known to the State of California to cause cancer and/or birth defects or reproductive harm. For more information go to [www.P65Warnings.ca.gov](http://www.P65Warnings.ca.gov)

# CRYSTORAMA

LIGHTING THE WAY FOR SIXTY YEARS



Crystorama.com

**PART NUMBER** MODEL **ADD-306-AG-CL**

## Part Number

### Part Numbers

- A. (1)-Canopy, D 5 1/8xH 1"  
XBN300AGCAN5.125IN
- B. (1)-Collar ring
- C. (1)-Swivel
- D. (1)- 6" Rod - XBN300AGROD6IN
- E. (3)-12" Rods - XBN300AGROD12IN
- F. (1)-Frame
- G. (24)-Glass, D 2 3/4xH 7 3/4"  
XBN300AGCLGLA7.75IN

