

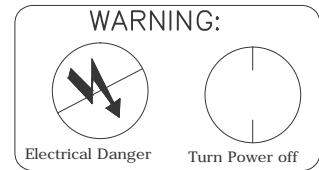
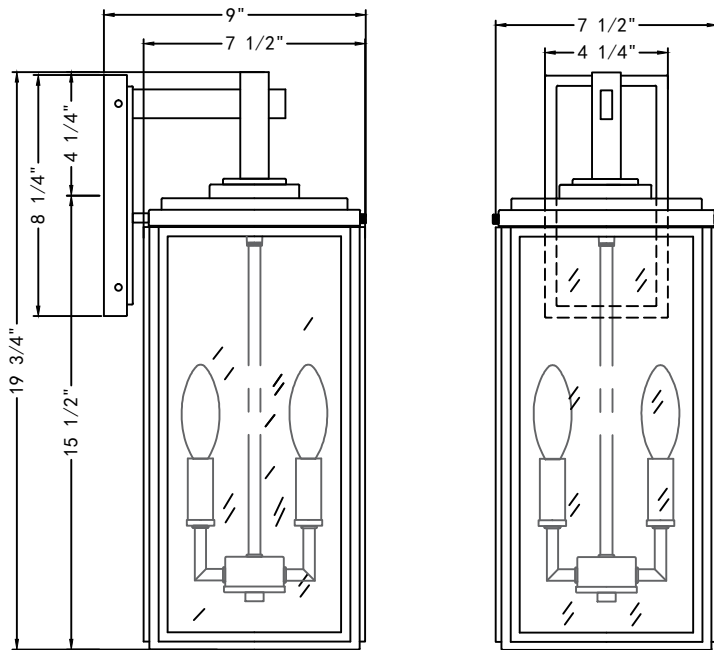
# CRYSTORAMA

LIGHTING THE WAY FOR SIXTY YEARS



Crystorama.com

## ASSEMBLY INSTRUCTION MODEL #BYR-80103-MK



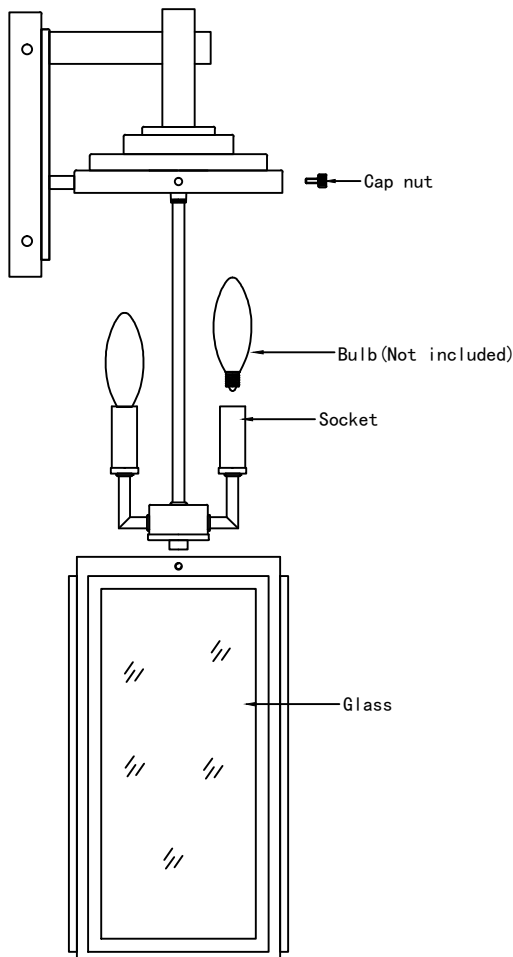
All electrical components must be installed by a licensed electrician in accordance with the National Electric Code and the appropriate local electrical codes.




You will need 3- Candelabra Base Bulb  
40 Watts Recommended 60 Watts Max.  
USE LED BULBS FOR EXTENDED USE  
THE FIXTURE IS WET RATED

### How to install

1. Install the mounting plate to the outlet box using two outlet box screws.
2. Install the frame onto the mounting plate, and secure with the screws.
3. Insert the glass panel into the channel on the bottom of cage and secure it with the clip.
4. Install the bulb(not included) into the socket.
5. Install the cage onto the frame and secure with the cap nut.



 **WARNING:** This product can expose you to Lead which is known to the state of California to cause cancer and/or birth defects or reproductive harm. For more information go to [www.P65Warnings.ca.gov](http://www.P65Warnings.ca.gov)

# CRYSTORAMA

LIGHTING THE WAY FOR SIXTY YEARS



Crystorama.com

## ASSEMBLY INSTRUCTION MODEL #BYR-80103-MK

### Part Number

#### Part Numbers

- A. (1)-Mounting hardware
- B. (4)-Screw
- C. (4)-Glass panel 6 3/4"X14 1/4"X1/8" XAR80103GLA6.75IN
- D. (3)-candle sleeve 7/8"X2 1/8" XAR80103MKCDL2.18IN
- E. (3)-Bulb (Not included)
- F. (3)-Cap Nut
- G.(2)-Gecko expander
- H.(2)-Tapping screw
- I.(1)-Backplate W4 1/4" x H8 1/4" x E3/4" XAR80103MKBKP8.25IN

