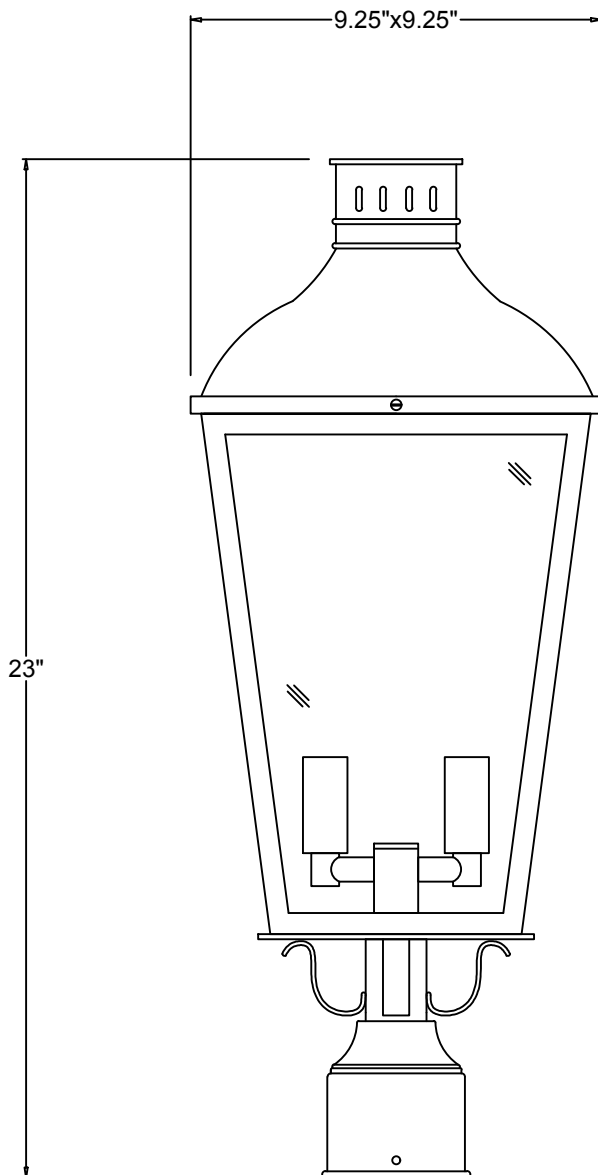


CRYSTORAMA

LIGHTING THE WAY FOR SIXTY YEARS

ASSEMBLY INSTRUCTION MODEL #DUM-9807-GE



WARNING



Electrical Danger



Turn Power Off

All electrical components must be installed by a licensed electrician in accordance with the National Electric Code and the appropriate local electrical codes.



You will need 3-Candelabra Bulb
40 Watts Recommended 60 Watts Max
Bulb not included
USE LED BULBS FOR EXTENDED USE
This fixture is WET rated

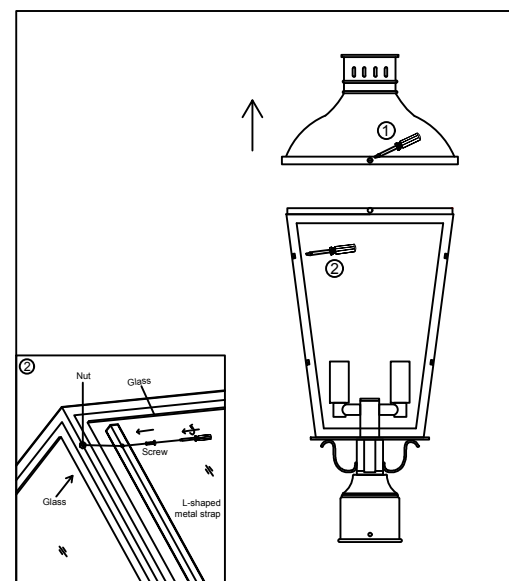
How to Install


1. Place the fixture over the post and mark 3 points on the post at the center of holes on the post fitter.
2. Drill the holes at the marked points.
3. Connect the fixture wires, then place the fixture over the post by aligning the holes on the fitter with the holes drilled on the post. Secure by tightening with side screws.

How to change glass

1. Remove the screws on the top of the cage and remove the cage
2. Remove the L-shaped metal strap by unscrewing the screws.
3. Smooth out the silicone glue along the glass channel, prior to placing in the new glass panel.
4. Put the new glass panel on and secure it with the L-shaped metal strap and screws.

Sketch Map



 **WARNING:** This product can expose you to Lead, which is known to the State of California to cause cancer and/or birth defects or reproductive harm. For more information go to www.P65Warnings.ca.gov

CRYSTORAMA

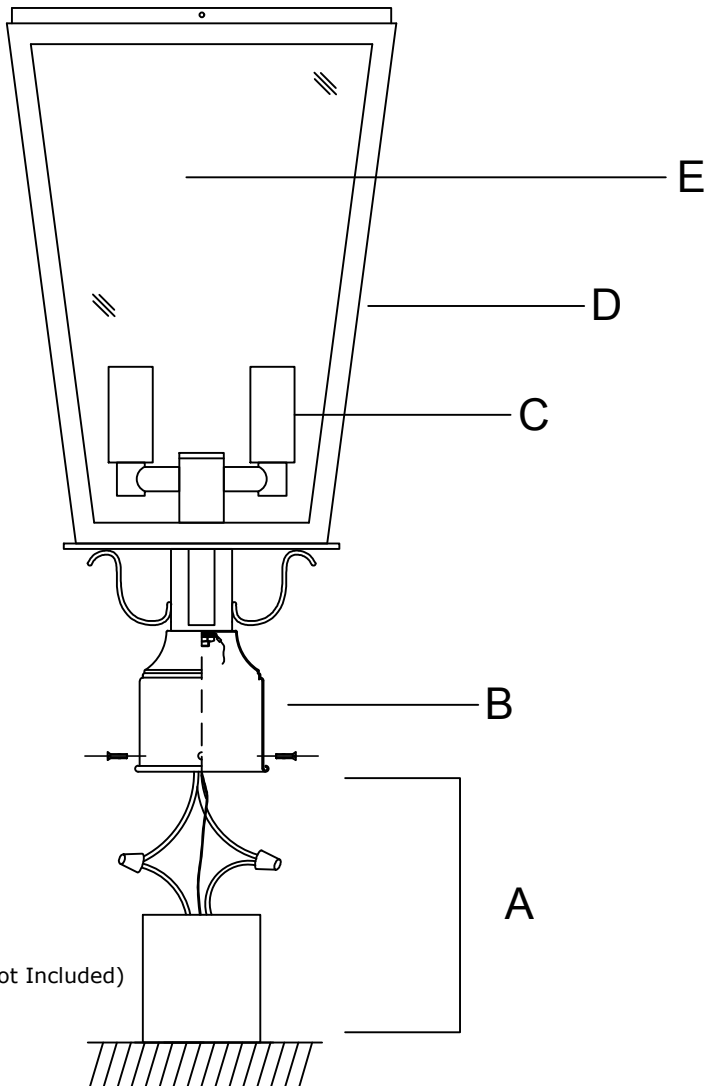
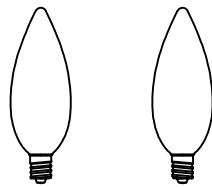
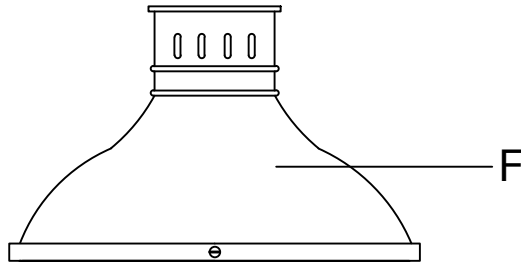
LIGHTING THE WAY FOR SIXTY YEARS

PART NUMBER MODEL #DUM-9807-GE

Part Number

Part Numbers

- A. Mounting Hardware
 - (3) Screw
 - (3) Wire Nut
- B. (1) Base; Ø3.4" x 3.5" H
- C. (3) Socket
- D. (1) Bottom cage
- E. (4) Glass; XMO9802GEGLA11.5IN
- F. (1) Top cage



E-Glass Size

