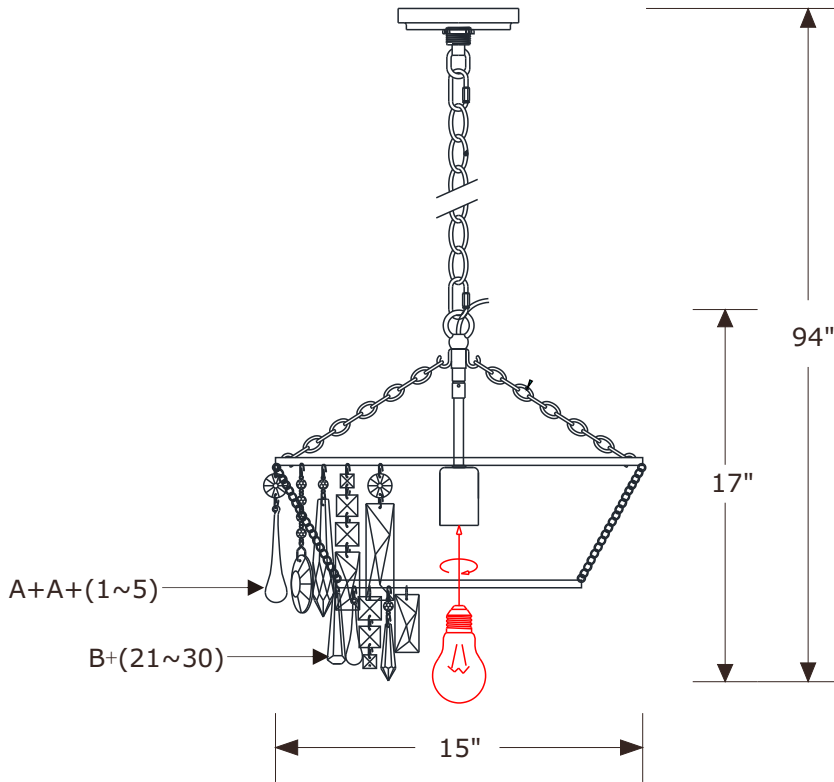


# CRYSTORAMA

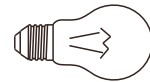
LIGHTING THE WAY FOR SIXTY YEARS



## ASSEMBLY INSTRUCTION MODEL # ELS-7100-GA



All electrical components must be installed by a licensed electrician in accordance with the National Electric Code and the appropriate local electrical codes.



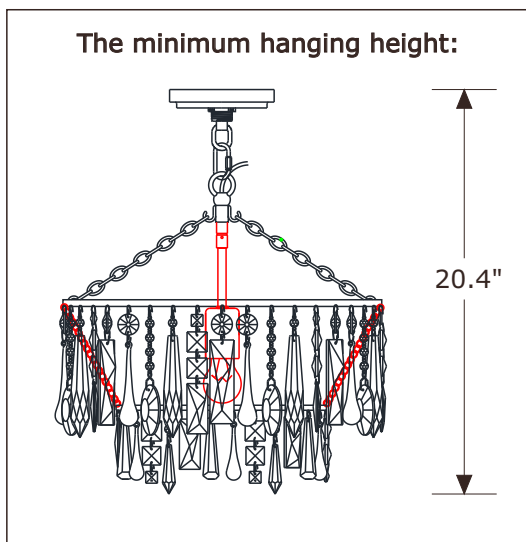
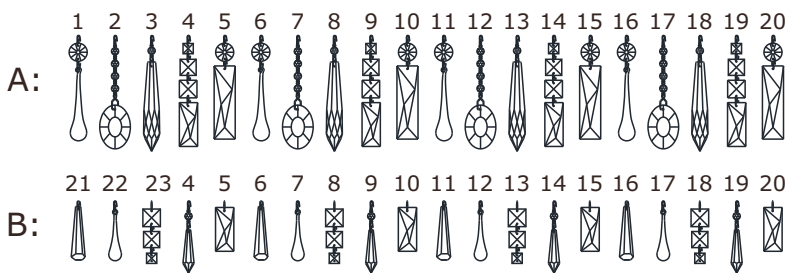
You will need 1 -Medium Bulb

40 Watts Recommended 60 Watts Max.

USE LED BULBS FOR EXTENDED USE  
THIS FIXTURE IS DAMP RATED

### How to Install

1. Attach the center stem onto the wiring house.
2. Attach the top of the center stem onto the swivel.
3. Hook one end of the decorative chain onto the frame and the other end onto the hook kit.
4. Insert recommended bulb (not included).
5. Dress the fixture with crystal as illustrated.



**WARNING:** This product can expose you to Lead, which is known to the State of California to cause cancer and/or birth defects or reproductive harm. For more information go to [www.P65Warnings.ca.gov](http://www.P65Warnings.ca.gov).

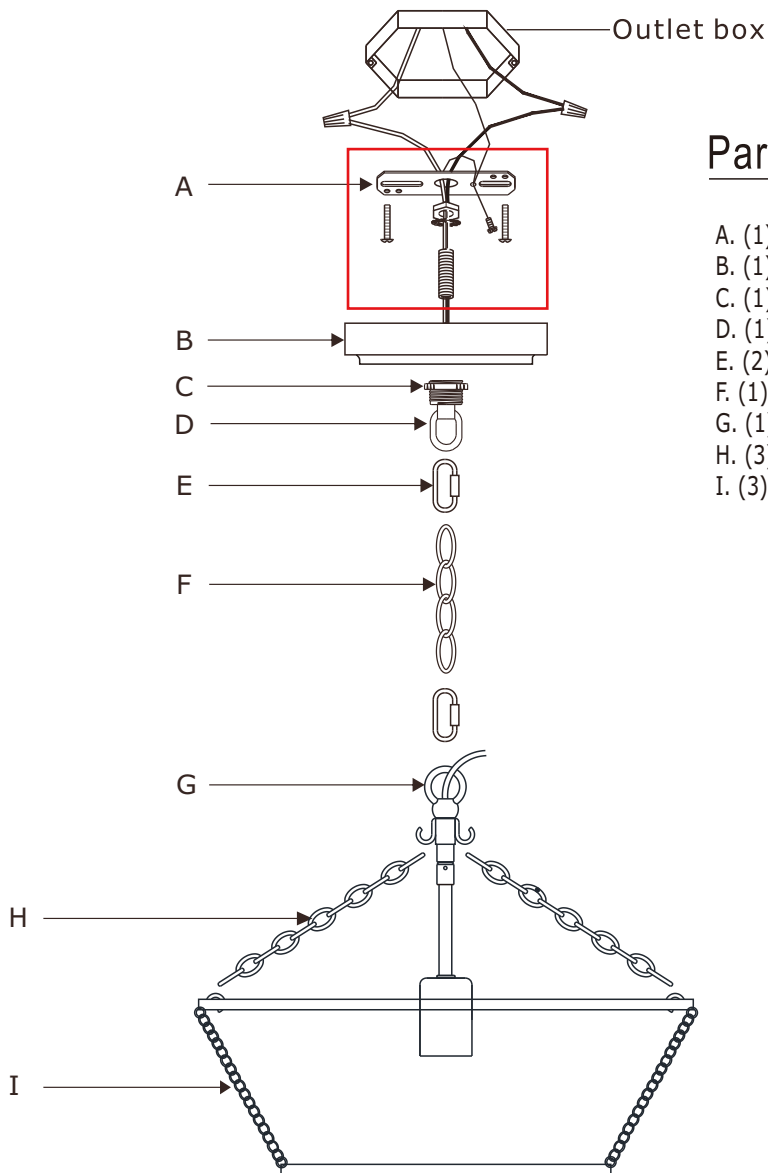
# CRYSTORAMA

LIGHTING THE WAY FOR SIXTY YEARS



Crystorama.com

PART NUMBER MODEL # ELS-7100-GA



## Part Number

- A. (1) - Mounting Hardware
- B. (1) - Canopy(W4.92",H0.9")#XRE7100GACAN4.92IN
- C. (1) - Collar Ring
- D. (1) - Collar Loop #XXRE7100GALoop
- E. (2) - Quick Link
- F. (1) - Hanging Chain(72",3.2mm) #XRE7100GACHA3.2MM
- G. (1) - Fixture Loop
- H. (3) - Decorative Chains(each8.07",3mm) #XRE7100GADECHA8.07IN
- I. (3) - Small Chain1(each4.92") #XRE7100GASMCHA4.92IN