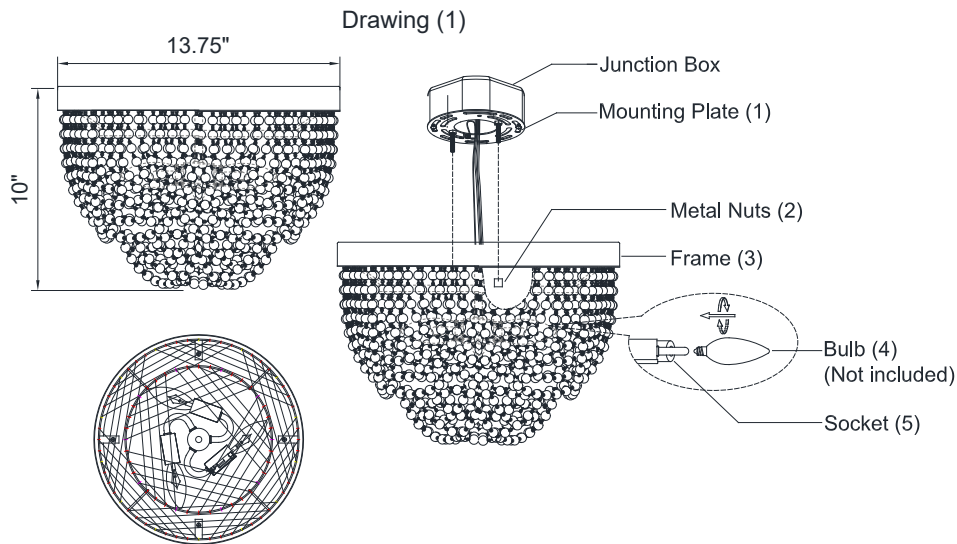


CRYSTORAMA

LIGHTING THE WAY FOR SIXTY YEARS

ASSEMBLY INSTRUCTION MODEL #F10-A9103-GA-WH



All electrical components must be installed by a licensed electrician in accordance with the National Electric Code and the appropriate local electrical codes.

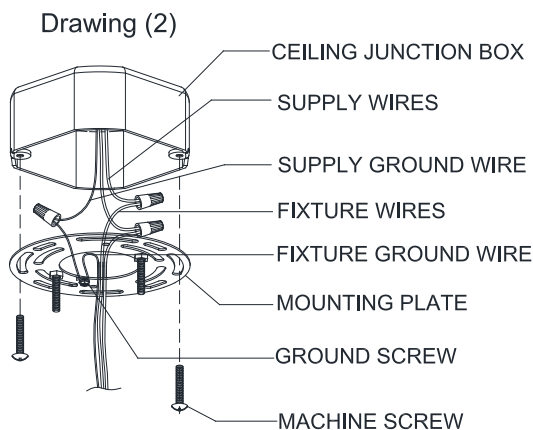


You will need 3-Candelabra

40 Watts Recommended 60 Watts Max

USE LED BULBS FOR EXTENDED USE

This fixture is DRY rated



How to Install:

1. Install the Bulb (4) to the Socket (5).
2. The canopy of the fixture can now be mounted to the ceiling by following instruction **Drawing 2**.
3. Attach the Frame (3) onto the ceiling and secure with the Metal Nuts (2) until tight.

Bulb replacement:

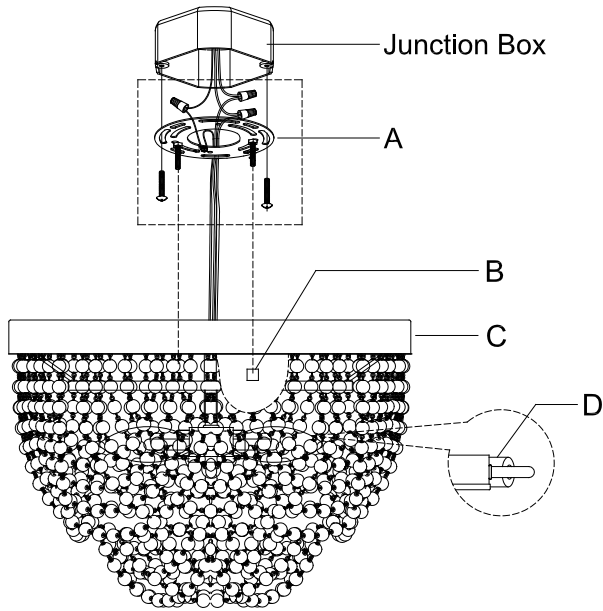
1. Install the Bulb (4) into the Socket (5).

WARNING: This product can expose you to lead, which is known to the state of California to cause cancer and / or birth defects or reproductive harm. For more information go to www.P65warnings.ca.gov

CRYSTORAMA

LIGHTING THE WAY FOR SIXTY YEARS

ASSEMBLY INSTRUCTION MODEL #F10-A9103-GA-WH



Part Number

Part Numbers

- A. (1) Mounting Hardware
- B. (2) Metal Nut (XFW9103GABANUT)
- C. (1) Frame
- D. (3) Socket (H2 ")