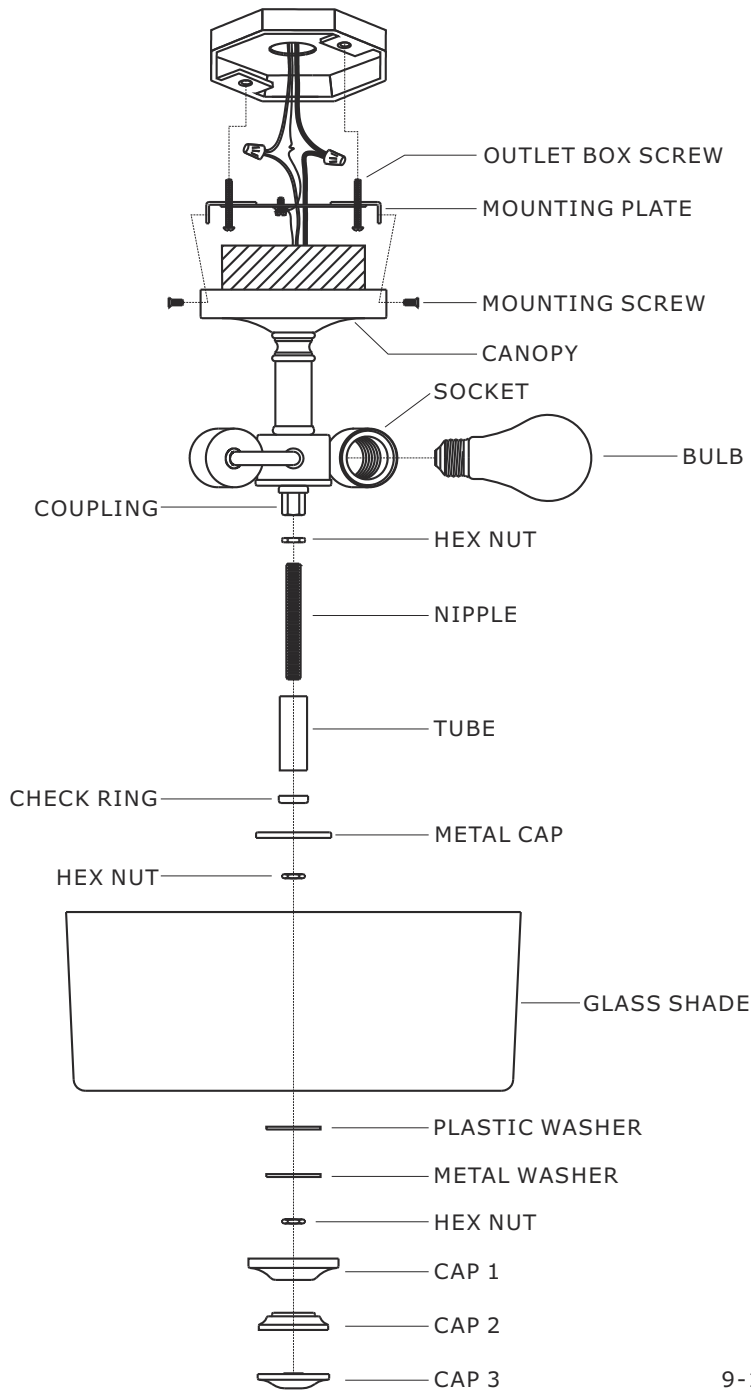


CRYSTORAMA

LIGHTING THE WAY FOR SIXTY YEARS

ASSEMBLY INSTRUCTION MODEL#TRA-A3302-PN



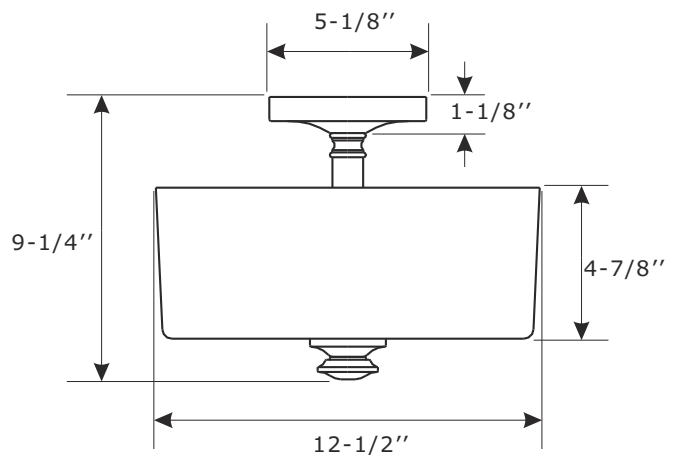
All electrical components must be installed by a licensed electrician in accordance with the National Electric Code and the appropriate local electrical codes.



You will need 2-Medium Base Bulb
40 Watts Recommended 60 Watts Max.
USE LED BULBS FOR EXTENDED USE

How to install

1. Install the mounting plate to the outlet box using two outlet box screws.
2. Install canopy onto the mounting plate, and secure with the mounting screws.
3. Install the bulb(not included) into socket.
4. Thread the hex nut onto the nipple and thread the nipple into the coupling.
5. Slide the tube the check ring and the metal cap onto the nipple, then secure with the hex nut.
6. Slide the glass shade the plastic washer and the metal washer onto the nipple, then secure with the hex nut.
7. Slide the cap1 and cap2 onto the nipple and secure with the cap3.



WARNING: This product can expose you to Lead which is known to the state of California to cause cancer and/or birth defects or reproductive harm. For more information go to www.P65Warnings.ca.gov

CRYSTORAMA

LIGHTING THE WAY FOR SIXTY YEARS

ASSEMBLY INSTRUCTION MODEL#TRA-A3302-PN

Part Number

Part Numbers

- A. (1)-Mounting hardware
- B. (1)-Mounting plate
- C. (2)-Mounting screw
- D. (1)-Canopy W5-1/8"xH1-1/8"
- E. (2)-Socket
- F. (3)-Hex nut
- G. (1)-Nipple
- H. (1)-Tube
- I. (1)-Check ring
- J. (1)-Metal cap
- K. (1)-Glass shade #XRF3302SHA12.5IN
- L. (1)-Plastic washer
- M. (1)-Metal washer
- N. (1)-Cap 1 #XRF3302PNCAP1
- O. (1)-Cap 2 #XRF3302PNCAP2
- P. (1)-Cap 3 #XRF3302PNCAP3

