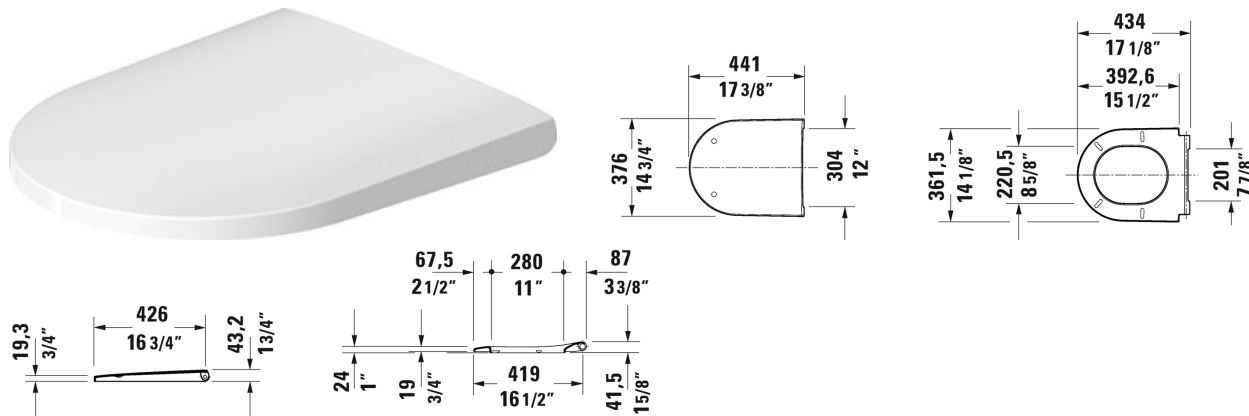


D-Neo Toilet seat and cover # 002169..00



Toilet seat and cover	Dimension	Weight	Order number
removable, hinges stainless steel, with slow close			
Colors			
Variant			
		5.3 lb	002169..00
Suitable products			
Toilet wall-mounted Duravit Rimless® rimless, WaterSense® listed, washdown model, Durafix included, cUPC® listed*, 14 5/8" x 21 1/4" Inch	14 5/8" x 21 1/4" Inch		257709

All drawings contain the necessary measurements which are subject to standard tolerances. They are stated in inch & mm and are non-binding. Exact measurements, in particular for customized installation scenarios, can only be taken from the finished ceramic piece.