

PRODUCT SPECIFICATIONS

Elkay Deluxe Drain 3-1/2" Type 304 Stainless Steel Body for Fireclay Sinks. Overall dimensions are 4-7/16" x 4-7/16" x 7-9/16". Made of Stainless Steel.

Material:	Stainless Steel
Finish:	Chrome (CR)
Dimensions:	4-7/16" x 4-7/16" x 7-9/16"
Shipping Weight:	1 lbs.

Special Note: Thread length of body sub-assembly - 1-3/4".
Replacement strainer basket 72002169: \$19.00

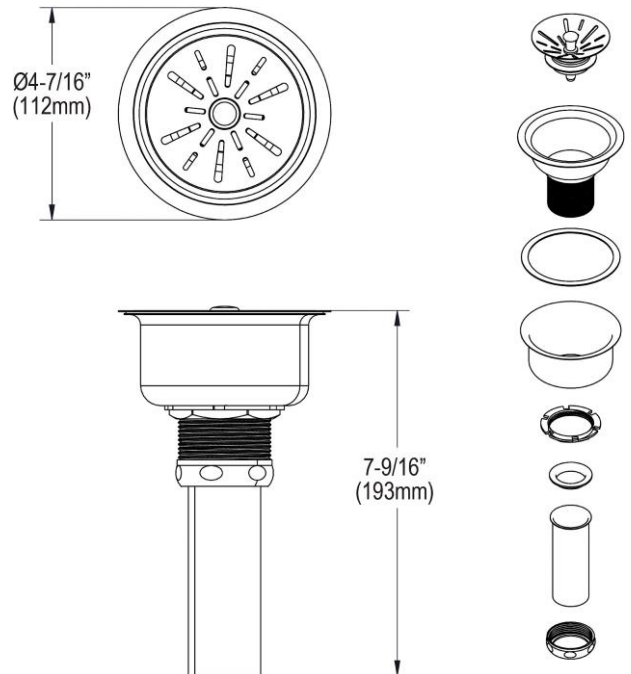
- Chrome-plated type 304 stainless steel conical strainer basket with ball bearing stem and rubber seal.
- 1-1/2" O.D. x 4" type 304 stainless steel tailpiece.



AMERICAN PRIDE. A LIFETIME TRADITION.
Like your family, the Elkay family has values and traditions that endure. For almost a century, Elkay has been a family-owned and operated company, providing thousands of jobs that support our families and communities.

Product Compliance: ASME A112.18.2/CSA B125.2

[Clean and Care Manual \(PDF\)](#)
[Installation Instructions \(PDF\)](#)



PART: _____ QTY: _____
 PROJECT: _____
 CONTACT: _____
 DATE: _____
 NOTES: _____
 APPROVAL: _____

In keeping with our policy of continuing product improvement, Elkay reserves the right to change product specifications without notice. Please visit elkay.com for the most current version of Elkay product specification sheets. This specification describes an Elkay product with design, quality, and functional benefits to the user. When making a comparison of other producers' offerings, be certain these features are not overlooked.