

**SPECIFICATIONS**

**PARMA™ TRIM LINE SINGLE HANDLE LAVATORY FAUCET**

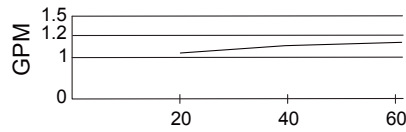
**Model**

D236158

**Description**

- Ceramic disc valve
- 4" high spout, 4 7/8" spout length
- Includes metal touch down drain DA505918 with color matching cap and flange and chrome plated tailpiece
- Hot and cold indicators DA60A060 included
- Single hole mount with optional deck plate DA667229
- 1.2gpm (4.5L/min) maximum flow rate @60 psi
- Meets CEC Requirement

**Flow Rate**



**Standards**



NSF/ANSI 372 • NSF/ANSI 372

MEETS ASME A112.18.1M/A112.18.1

• ASME A112.18.1M/A112.18.1



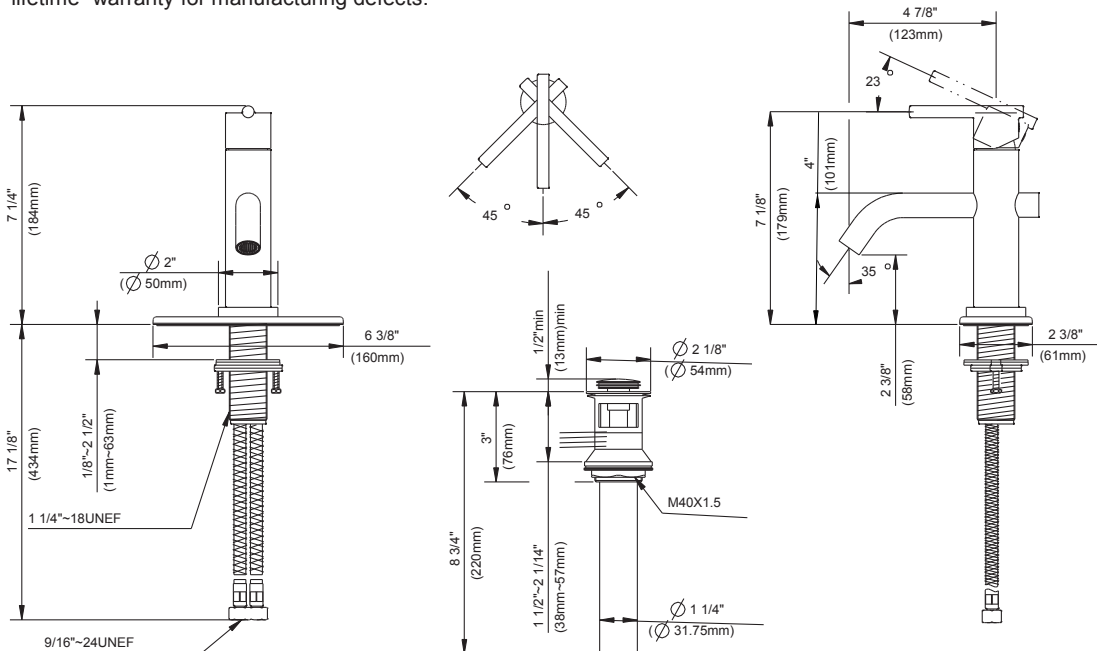
• ADA Accessibility Guidelines for Buildings and Facilities - 309.4 Operation and Operable Parts

**Finishes Available**

- Chrome
- Other: Refer to Price List for additional finish

**Warranty**

Danze products are covered by a manufacturer's limited "lifetime" warranty for manufacturing defects.



**Submittal Information:**

Job Name: \_\_\_\_\_

Location: \_\_\_\_\_

Contractor: \_\_\_\_\_

Contact #: \_\_\_\_\_