



### □ 13-821 / 13-828

#### Features:

- Outer Dimensions: 18" x 18"
- Inner Dimensions: 14 7/8" x 11 1/2"
- Square shaped basin
- Concealed front overflow
- Rear-oriented drain hole location for ease of drain installation
- Medium profile lavatory that offers the upscale design of a vessel sink but installs easily as a drop-in
- Universally accessible; Compliant with the Americans with Disabilities Act (ADA) standards; see spec sheet for installation details
- Faucet is not included



13-821 Lavatory  
Shown

#### Fixtures:

Models	13-821	12-828
Configuration	Single Hole	8" Centers
Height	8 3/4"	
Width	18"	
Depth	18"	
Inside Basin Dimensions	14 7/8" x 11 1/2"	
Shipping Weight	31 lbs	

#### Accessories:

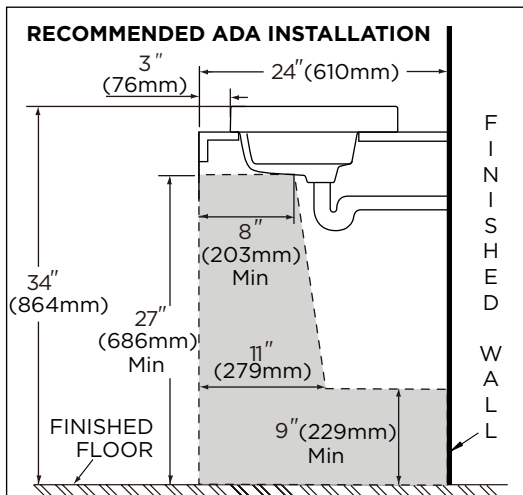
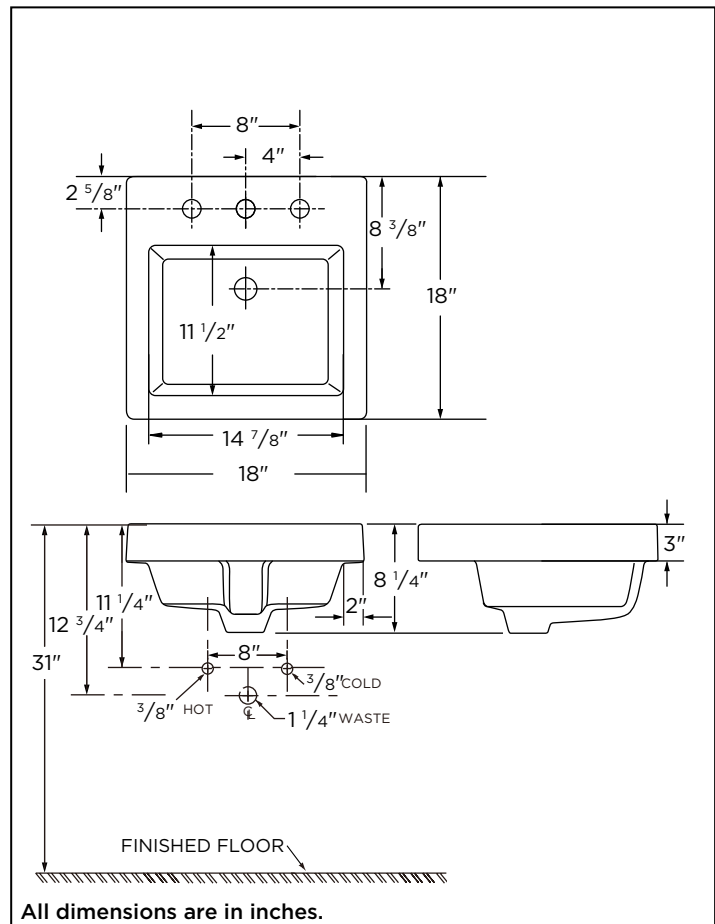
- None

#### Colors/Finishes:

- White
- Other: Refer to Price Book for additional colors/finishes

#### Warranty:

- Limited Lifetime Warranty; Ten (10) Year Limited Warranty on other Parts



NOTES: Illustrations may not be drawn to scale.

\* Dimensions shown for locations of supply lines and "P" trap are suggested.

#### IMPORTANT:

Dimensions of fixtures are nominal and may vary within the range of tolerances established by ASME standard A 112.19.2