



# GERBER

## 40-101 Series Allerton™ Single Handle Kitchen Faucets



### Features:

- 2 or 3 hole installation
- Ceramic disc cartridge, G0092298, w/temp limit stop
- Includes side spray or less spray
- 1.75 gpm (6.6 L/min) max Aeration / 2.2 gpm (8.3L/min) max Spray @ 60psi
- Chrome or stainless steel finishes
- Lead free waterway per NSF/ANSI 372
- Fully ADA compliant
- Limited lifetime warranty
- Meets CEC requirements

### Standards & Certifications:

- ASME A112.18.1
- NSF/ANSI 372
- IAPMO/cUPC
- ICC/ANSI A117.1
- MASS Code

### Catalog Numbers:

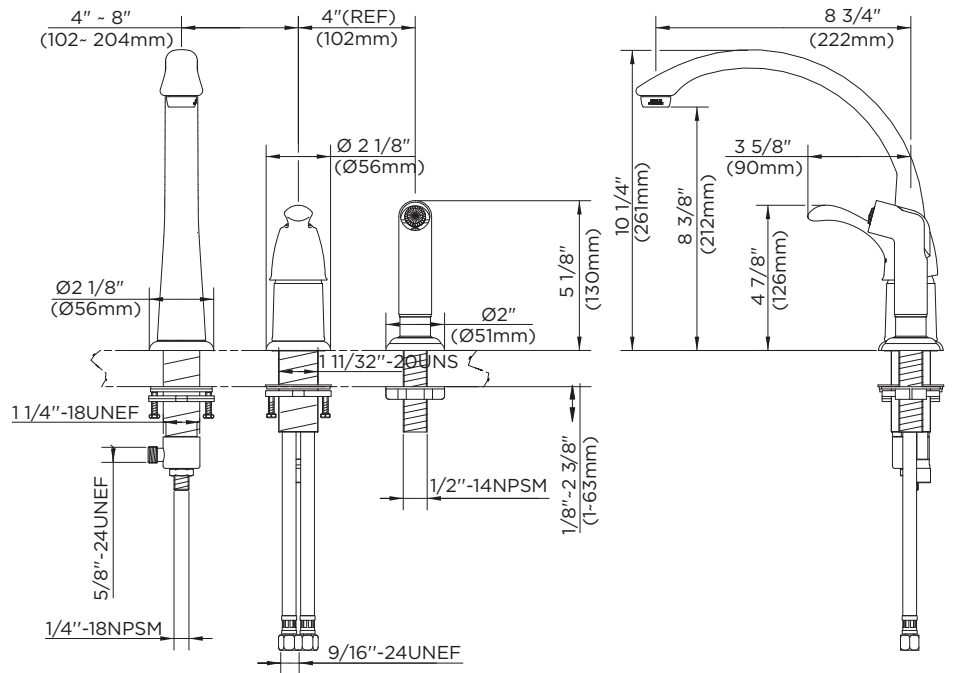
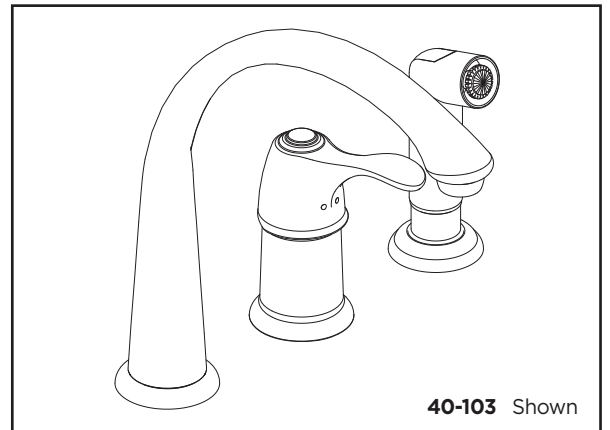
- 40-101** Less Spray, Chrome
- 40-101-SS** Less Spray, Stainless steel
- 40-103** With Spray, Chrome
- 40-103-SS** With Spray, Stainless steel

### Prefixes Available:

None

### Suffixes Available

SS: Stainless Steel



Job Name	
Date	
Model Specified	
Quantity	
Customer	
Contractor	
Architect/engineer	

Gerber Toll Free Technical Support: 888-648-6466  
www.gerberonline.com