

Features:

UL-20-302

- Vitreous China
- Low Consumption 1.0gpf (3.8 LPF)
- Round Front Bowl
- 12" Rough-In
- Pressure Vessel Inside
- Dual fed siphon jets
- Fully Powerful, 100% glazed, 2" trapway
- Non-Sweating insulated tank
- Chrome, Metal Front Tank Lever
- 2 Color Matched Bolt Caps Included
- Toilet seat not included



Technical Information:

Included Components:

- Combination UL-20-302
- Bowl UF-21-342
- Tank UF-28-380

Other Tank Options: (bowl to be purchased separately)

N/A

Fixtures:

Configuration	Two-piece, Round Front Toilet
Water per Flush	1.0 gpf (3.8 lpf)
Rough-In	12"
Height	29"
Width	20 1/16"
Depth	27 11/16"
Trapway	2"
Large Water Surface	8 11/16" x 6 5/16"
Product Weight	87.9 lbs

Accessories: (to be purchased separately)

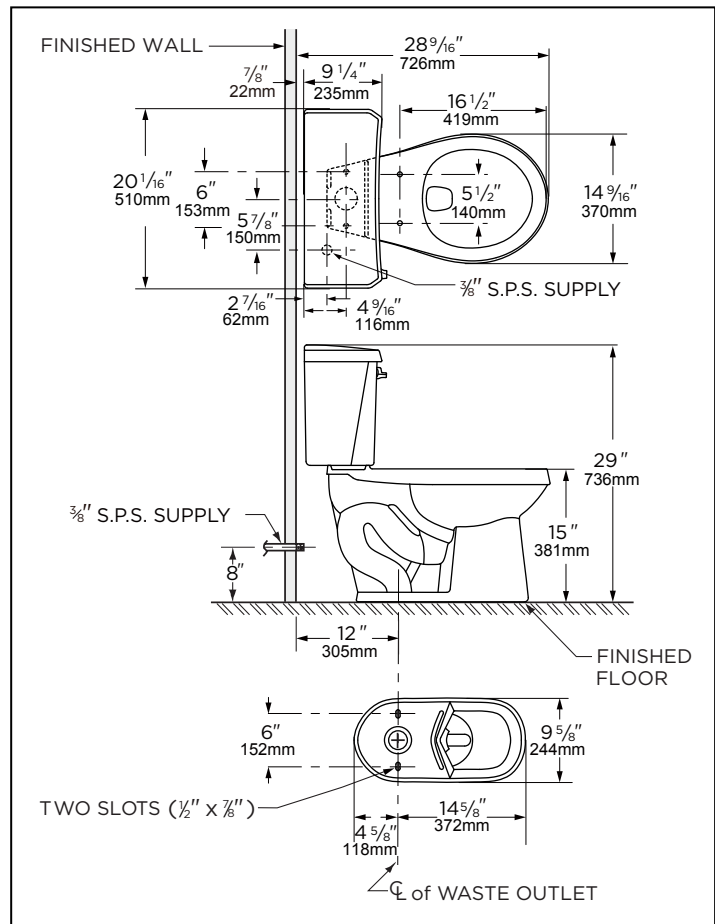
Soft Closed Toilet Seat	99-217
-------------------------	--------

Colors:

- White
- Other: Refer to Price Book for additional colors

Warranty:

- Limited Lifetime Warranty - see website for detailed warranty information



NOTES: All dimensions are in inches and millimeters. Illustrations may not be drawn to scale.

IMPORTANT:

Dimensions of fixtures are nominal and may vary within the range of tolerances established by ASME standard A 112.19.2 THIS FIXTURE QUALIFIES ACCORDING TO ASME TEST PROCEDURES AS A HIGH EFFICIENCY WATER CLOSET WITH AN AVERAGE CONSUMPTION OF 1.0 gpf (3.8 Lpf) OR LESS.