

Undermount Shelf Bracket

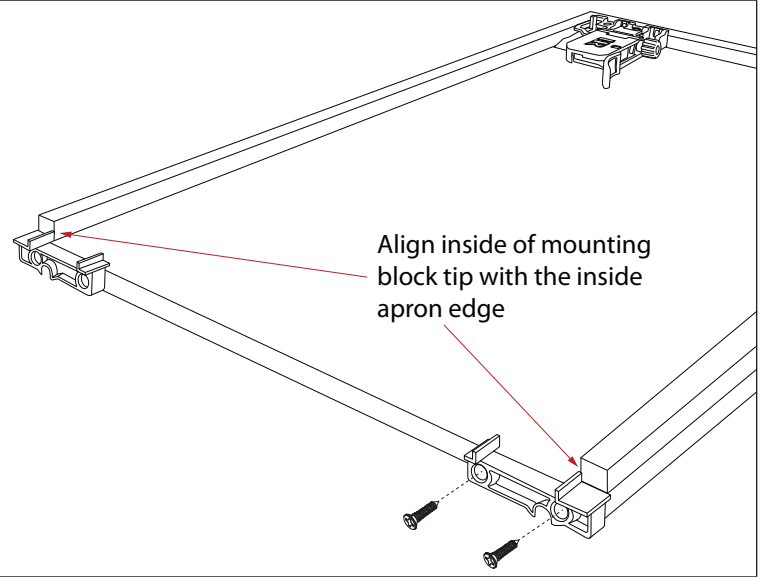
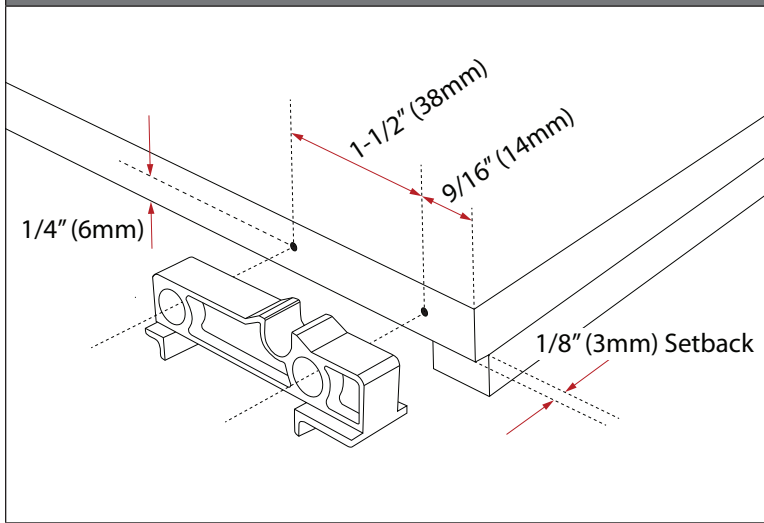
USE-RMB



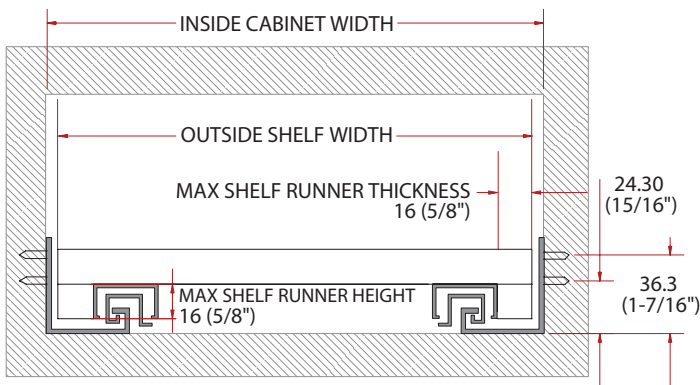
Attach rear mounting block to the back of the shelf instead of notching and boring.



MOUNTING SPECIFICATIONS



FRONT VIEW OF THE SHELF INSIDE THE CABINET



OUTSIDE SHELF WIDTH CALCULATIONS

Drawer Side Thickness	Inside Cabinet Width Deduction
5/8" 16mm	3/8" 10mm
19/32" 15mm	15/32" 12mm
9/16" 14mm	9/16" 14mm
1/2" 13mm	5/8" 16mm
15/32" 12mm	23/32" 18mm

NOTE: Shelf length = length of slide minus 13/32" (10mm)