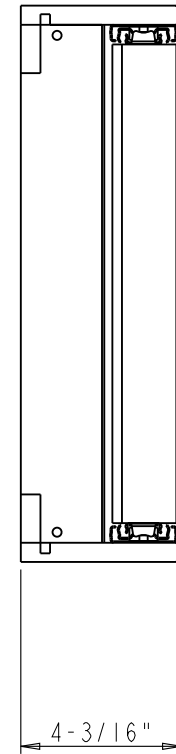
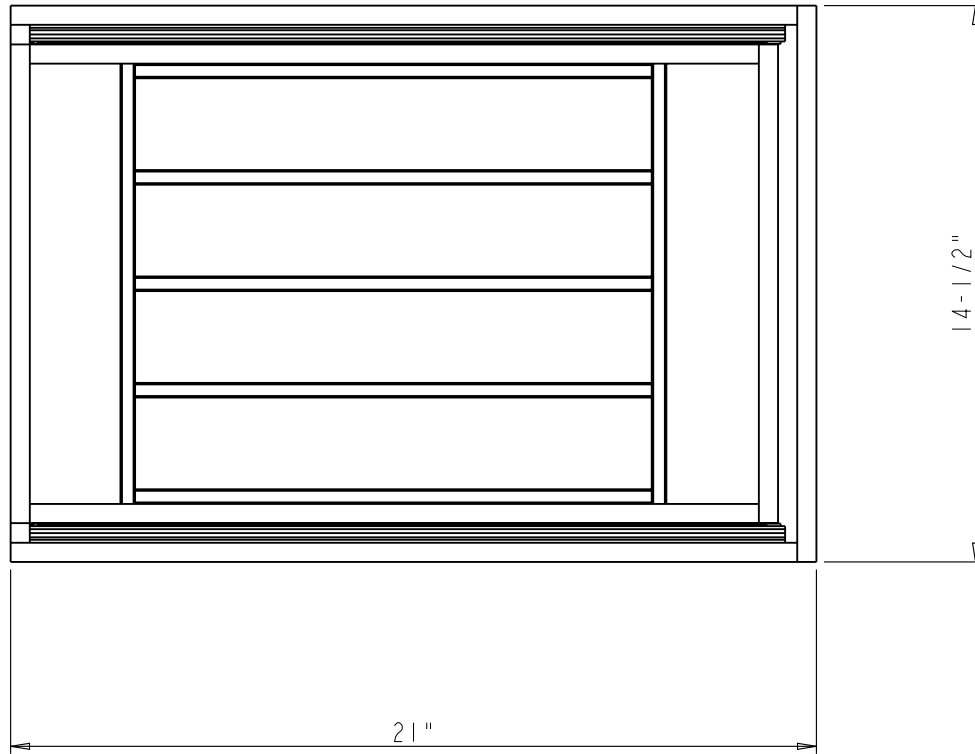

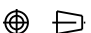


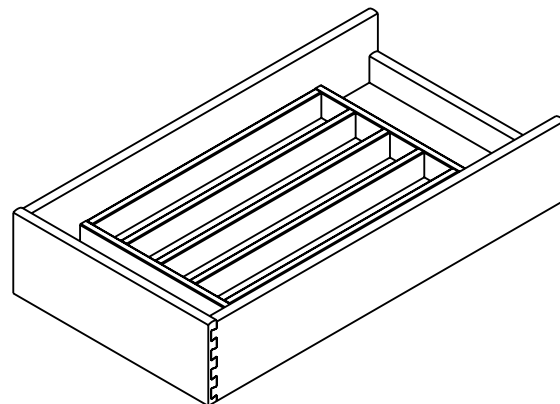
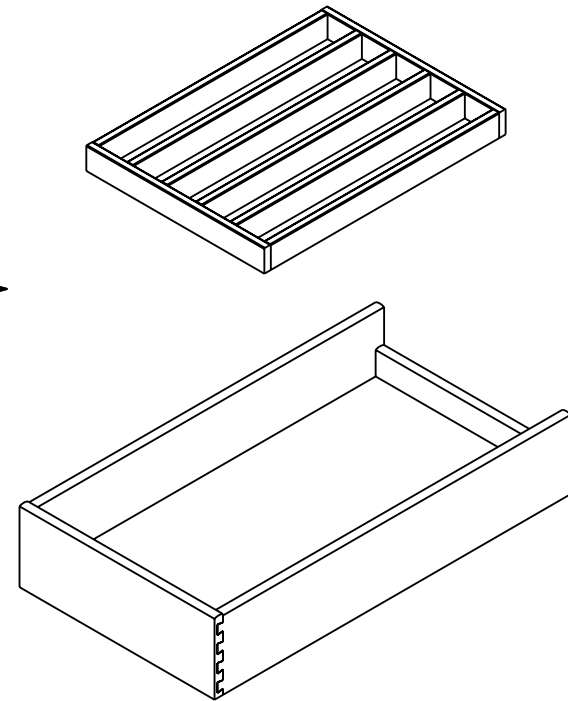
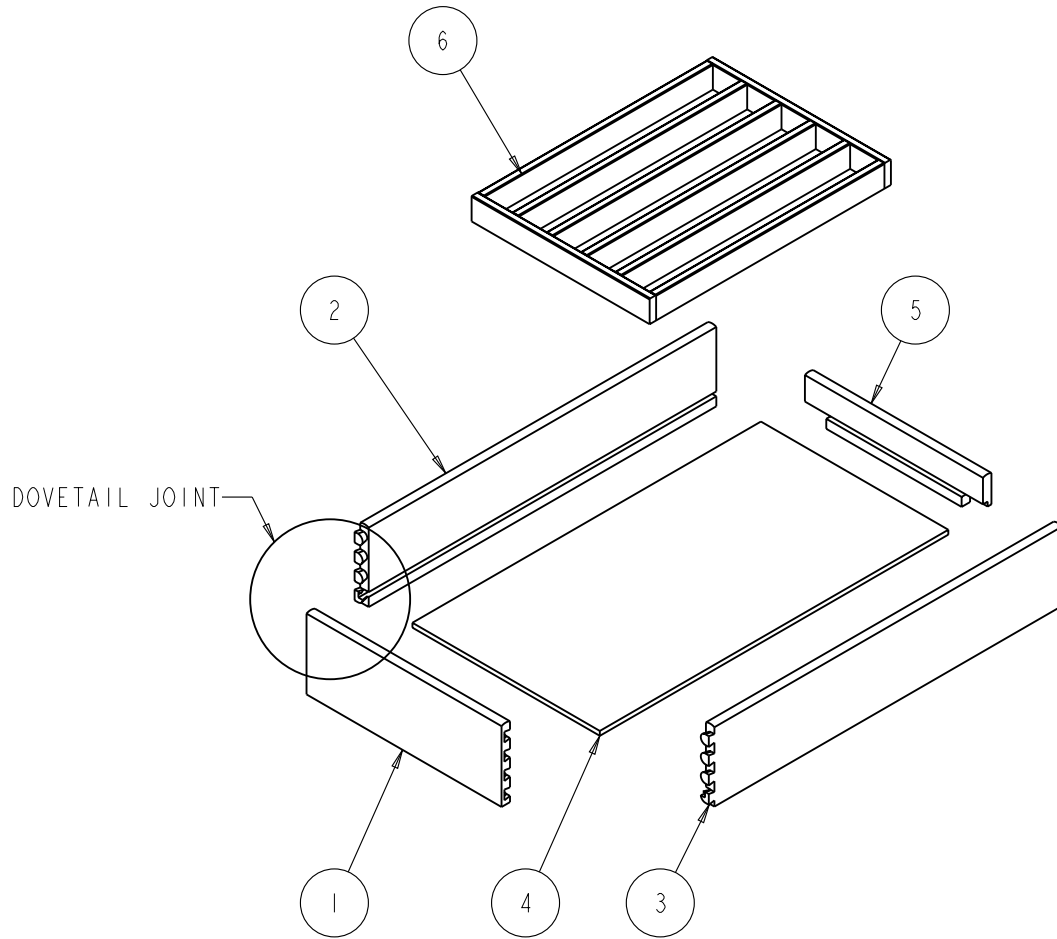
BILLS OF MATERIAL :

NO.	ITEM#	MATERIAL	QTY	UNIT	TOTLE	WEIGHT	TYPE	ASSY LEVEL
3	INNER-DRAWER		1				ASSEMBLY	1
2	303FU-20		2				PART	1
1	OUTER-DRAWER		1				ASSEMBLY	1

	ITEM#	DOUBLE-CUTLERY-DRAWER		MATERIAL:	ASSEMBLY
	FINISH:			WEIGHT:	g
PROPRIETARY AND CONFIDENTIAL THE INFORMATION CONTAINED IN THIS DRAWING IS THE SOLE PROPERTY OF HARDWARE RESOURCES INC. ANY REPRODUCTION IN PART OR AS A WHOLE WITHOUT THE WRITTEN PERMISSION OF HARDWARE RESOURCES INC. IS PROHIBITED	TOLERANCE UNLESS OTHERWISE SPECIFIED: X : MM ±0.20 X.X : MM ±0.10 X.XX : MM ±0.05 ANGULAR: ±0.5° DO NOT SCALE DRAWING	UNIT: SIZE:	DRAWN BY: <i>alan.liu</i>	DATE:	PROJECTION: 
			CHECKED BY:	DATE:	
			APPROVED BY:	DATE:	



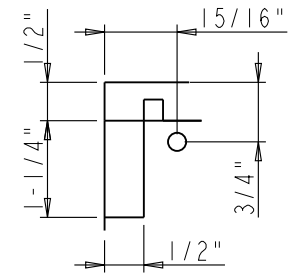
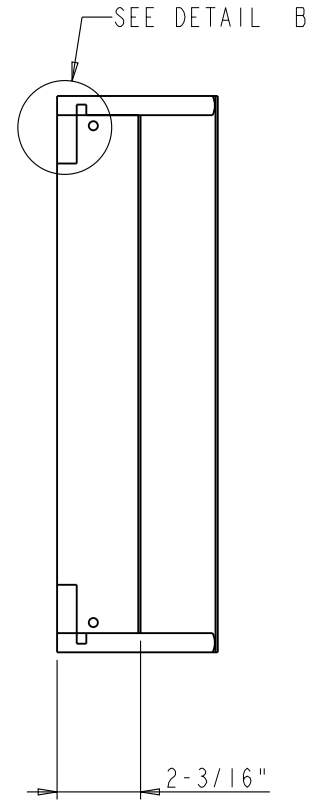
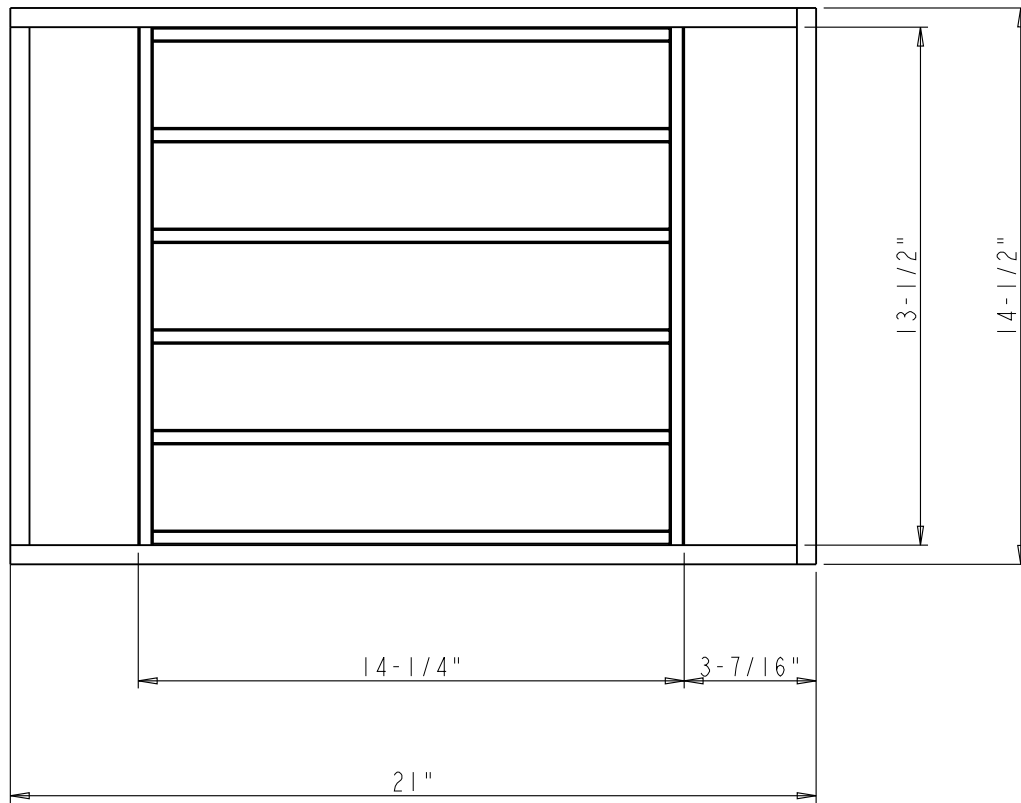
	ITEM#: DOUBLE-CUTLERY-DRAWER-14		MATERIAL: ASSEMBLY	
	FINISH:		WEIGHT: 9	
<p><b>PROPRIETARY AND CONFIDENTIAL</b></p> <p>THE INFORMATION CONTAINED IN THIS DRAWING IS THE SOLE PROPERTY OF HARDWARE RESOURCES INC. ANY REPRODUCTION IN PART OR AS A WHOLE WITHOUT THE WRITTEN PERMISSION OF HARDWARE RESOURCES INC. IS PROHIBITED.</p>	TOLERANCE UNLESS OTHERWISE SPECIFIED:		PROJECTION: 	
	X: MM ±0.20	UNIT:	DRAWN BY: <i>alan.liu</i>	
	X.X: MM ±0.10	SIZE:	CHECKED BY:	
	X.XX: MM ±0.05	APPROVED BY:	DATE:	
ANGULAR: ±0.5°				
DO NOT SCALE DRAWING				



BILLS OF MATERIAL:

NO.	ITEM#	MATERIAL	QTY	UNIT	TOTL WEIGHT	TYPE	ASSY LEVEL
6	FRAME-OUTER	ASSEMBLY	1			ASSEMBLY	1
5	OUTER-BOARD-BACK	Solid Maple	1			PART	1
4	OUTER-BOARD-BTM	Birch Plywood	1			PART	1
3	OUTER-BOARD-SIDE-R	Solid Maple	1			PART	1
2	OUTER-BOARD-SIDE-L	Solid Maple	1			PART	1
1	OUTER-BOARD-FRONT	Solid Maple	1			PART	1

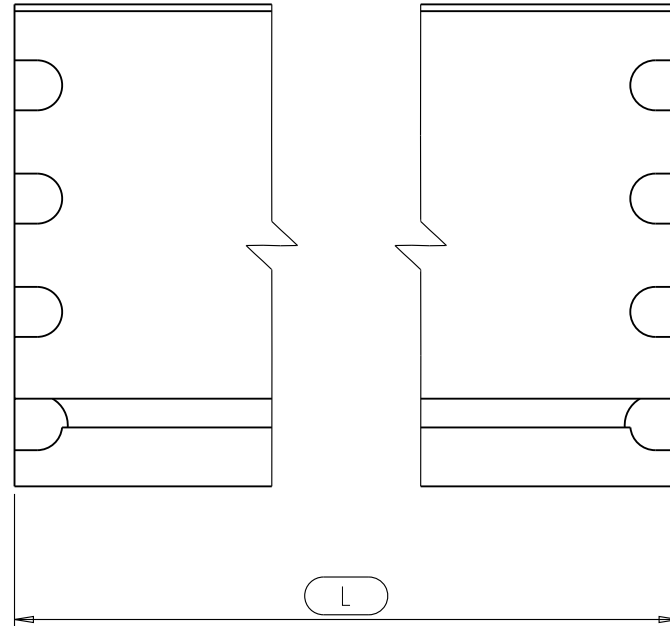
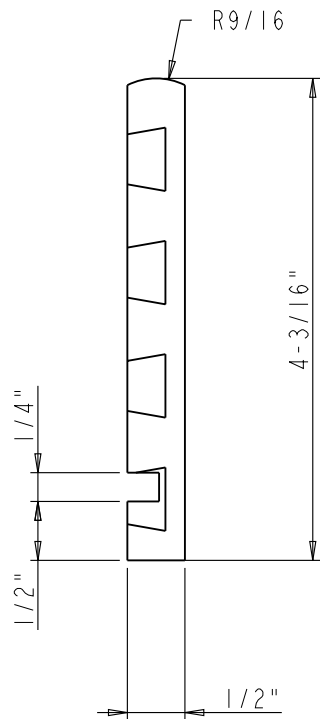
<b>hardware resources</b>	ITEM#	OUTER-DRAWER		MATERIAL:	ASSEMBLY
	FINISH:			WEIGHT:	9
PROPRIETARY AND CONFIDENTIAL THE INFORMATION CONTAINED IN THIS DRAWING IS THE SOLE PROPERTY OF HARDWARE RESOURCES INC. ANY REPRODUCTION IN PART OR AS A WHOLE WITHOUT THE WRITTEN PERMISSION OF HARDWARE RESOURCES INC. IS PROHIBITED.	TOLERANCE UNLESS OTHERWISE SPECIFIED:	UNIT:	DRAWN BY:	DATE:	
	X: MM ±0.20	SIZE:	alan.liu	DATE:	
	X.X: MM ±0.10	CHECKED BY:		DATE:	
	X.XX: MM ±0.05	APPROVED BY:		DATE:	
ANGULAR: ±0.5°	DO NOT SCALE DRAWING				



DETAIL B  
SCALE 2:5



	ITEM:	OUTER-DRAWER-14		MATERIAL:	ASSEMBLY
	FINISH:			WEIGHT:	9
<b>PROPRIETARY AND CONFIDENTIAL</b> THE INFORMATION CONTAINED IN THIS DRAWING IS THE SOLE PROPERTY OF HARDWARE RESOURCES INC. ANY REPRODUCTION IN PART OR AS A WHOLE WITHOUT THE WRITTEN PERMISSION OF HARDWARE RESOURCES INC. IS PROHIBITED.	TOLERANCE UNLESS OTHERWISE SPECIFIED:	UNIT:	DRAWN BY:	DATE:	
	X : MM ±0.20	SIZE:	alan.liu	DATE:	
	X.X : MM ±0.10	APPROVED BY:		DATE:	
	ANGULAR: ±0.5°				
	DO NOT SCALE DRAWING				



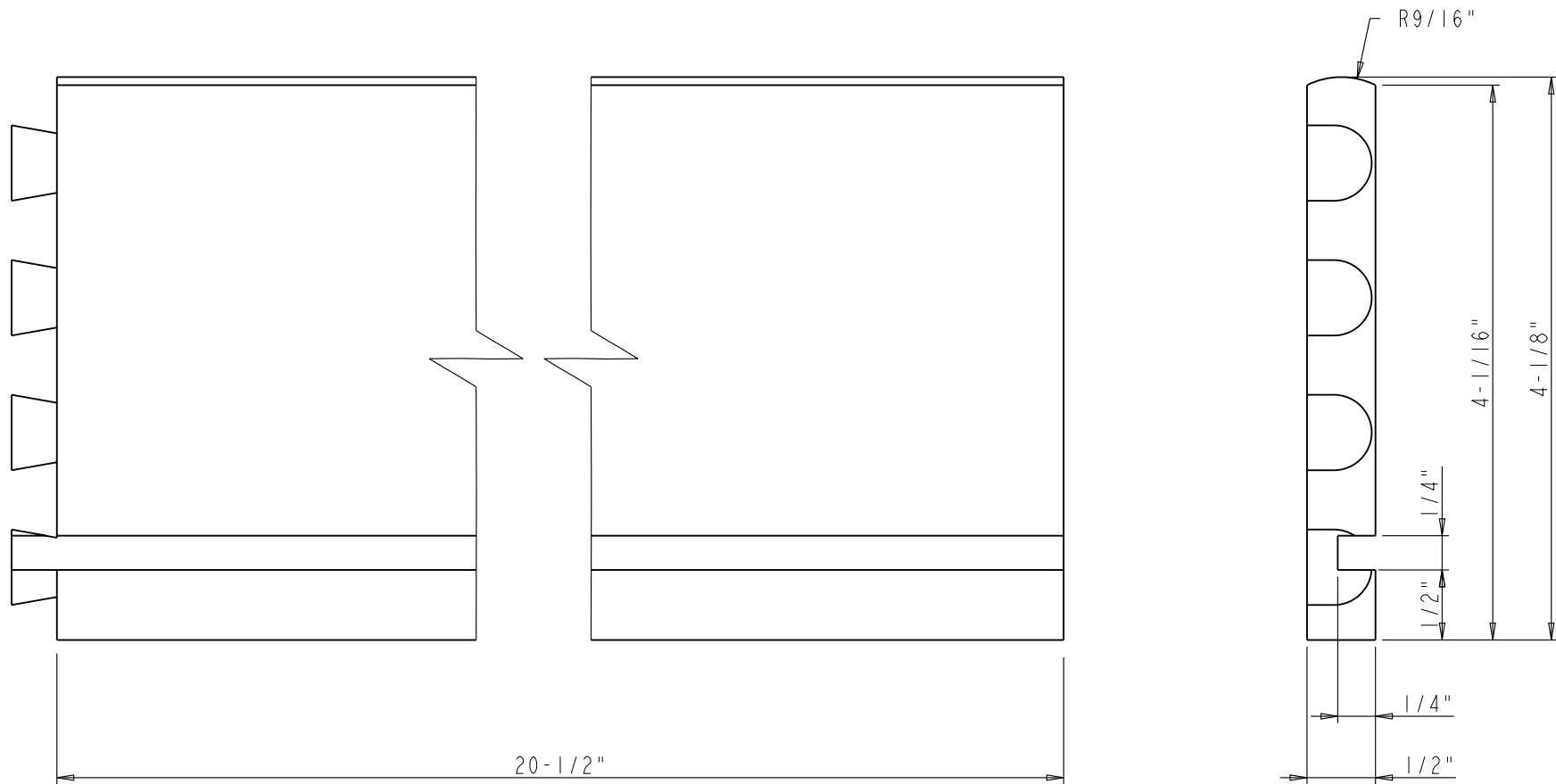
OUTER-BOARD-FRONT SPEC SHEET:

Part Name	L
OUTER-BOARD-FRONT-11"	11-1/2"
OUTER-BOARD-FRONT-14"	14-1/2"
OUTER-BOARD-FRONT-17"	17-1/2"
OUTER-BOARD-FRONT-20"	20-1/2"

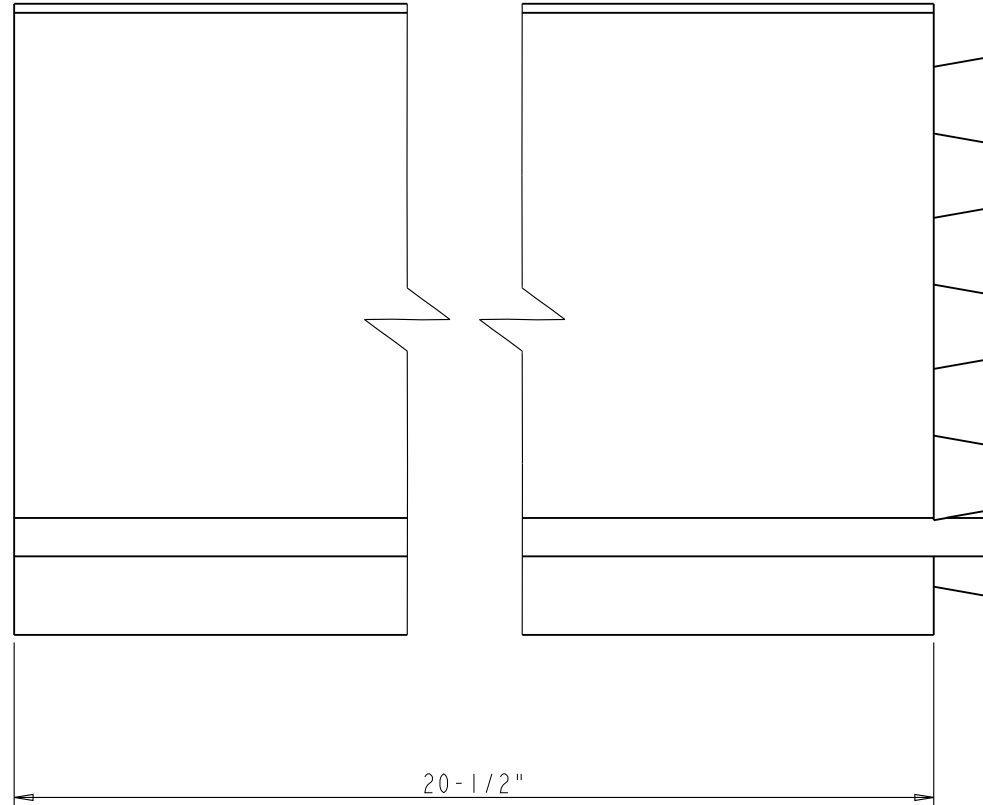
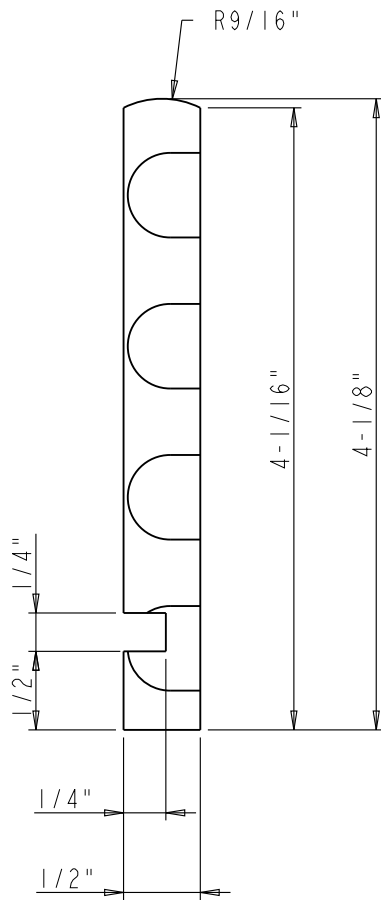
NOTE:

The dimension L of current OUTER-BOARD-FRONT is showing with red frame

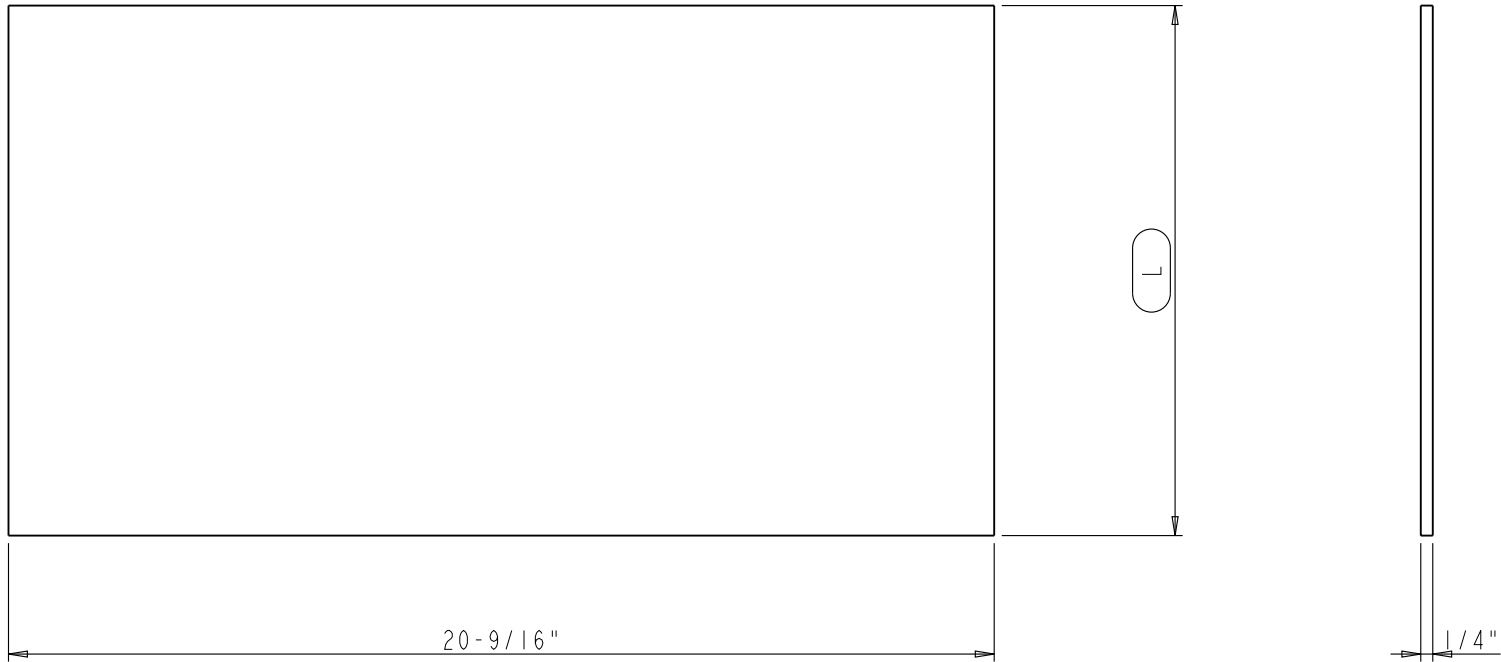
<b>hardware resources</b>	ITEM#: OUTER-BOARD-FRONT		MATERIAL: Solid Maple	
	FINISH: UV Finished		WEIGHT: 9	
<b>PROPRIETARY AND CONFIDENTIAL</b> THE INFORMATION CONTAINED IN THIS DRAWING IS THE SOLE PROPERTY OF HARDWARE RESOURCES INC. ANY REPRODUCTION IN PART OR AS A WHOLE WITHOUT THE WRITTEN PERMISSION OF HARDWARE RESOURCES INC. IS PROHIBITED	TOLERANCE UNLESS OTHERWISE SPECIFIED: X: MM ±0.20 X.X: MM ±0.10 X.XX: MM ±0.05 ANGULAR: ±0.5° DO NOT SCALE DRAWING		PROJECTION:	
	UNIT:	DRAWN BY: alan.liu	CHECKED BY:	DATE:
	SIZE:	APPROVED BY:		DATE:
				DATE:



	ITEM#: OUTER-BOARD-SIDE-L		MATERIAL: Solid Maple	
	FINISH: UV Finished		WEIGHT: 9	
<b>PROPRIETARY AND CONFIDENTIAL</b> THE INFORMATION CONTAINED IN THIS DRAWING IS THE SOLE PROPERTY OF HARDWARE RESOURCES INC. ANY REPRODUCTION IN PART OR AS A WHOLE WITHOUT THE WRITTEN PERMISSION OF HARDWARE RESOURCES INC. IS PROHIBITED.	TOLERANCE UNLESS OTHERWISE SPECIFIED:	UNIT:	DRAWN BY:	DATE:
	X : MM ±0.20	SIZE:	alvin.liu	
	X.X : MM ±0.10	CHECKED BY:		DATE:
	X.XX : MM ±0.05	APPROVED BY:		DATE:
ANGULAR: ±0.5°	DO NOT SCALE DRAWING		PROJECTION:	



	ITEM#: OUTER-BOARD-SIDE-R		MATERIAL: Solid Maple		
	FINISH: UV Finished		WEIGHT: 9		
<b>PROPRIETARY AND CONFIDENTIAL</b> THE INFORMATION CONTAINED IN THIS DRAWING IS THE SOLE PROPERTY OF HARDWARE RESOURCES INC. ANY REPRODUCTION IN PART OR AS A WHOLE WITHOUT THE WRITTEN PERMISSION OF HARDWARE RESOURCES INC. IS PROHIBITED.	TOLERANCE UNLESS OTHERWISE SPECIFIED: X: MM $\pm 0.20$ X.X: MM $\pm 0.10$ X.XX: MM $\pm 0.05$ ANGULAR: $\pm 0.5^\circ$ DO NOT SCALE DRAWING		UNIT:	DRAWN BY: <i>alan.liu</i>	DATE:
	SIZE:	CHECKED BY:	DATE:		
	APPROVED BY:		DATE:		
	PROJECTION:				



OUTER-BOARD-BTM SPEC SHEET:

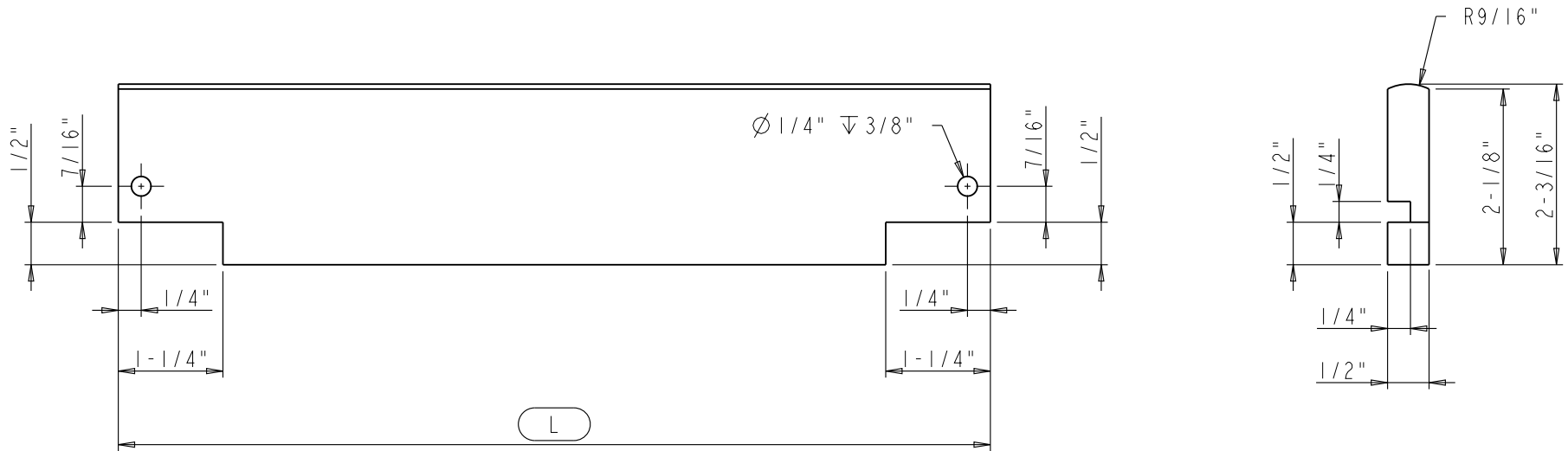
Part Name	L
OUTER-BOARD-BTM-11"	11-1/16"
OUTER-BOARD-BTM-14"	14-1/16"
OUTER-BOARD-BTM-17"	17-1/16"
OUTER-BOARD-BTM-20"	20-1/16"

NOTE:

The dimension L of current OUTER-BOARD-BTM is showing with red frame

	ITEM#: OUTER-BOARD-BTM		MATERIAL: Birch Plywood		
	FINISH: UV Finished		WEIGHT: 9		
<b>PROPRIETARY AND CONFIDENTIAL</b> THE INFORMATION CONTAINED IN THIS DRAWING IS THE SOLE PROPERTY OF HARDWARE RESOURCES INC. ANY REPRODUCTION IN PART OR AS A WHOLE WITHOUT THE WRITTEN PERMISSION OF HARDWARE RESOURCES INC. IS PROHIBITED.	TOLERANCE UNLESS OTHERWISE SPECIFIED: X: MM ±0.20 X.X: MM ±0.10 X.XX: MM ±0.05 ANGULAR: ±0.5° DO NOT SCALE DRAWING		UNIT:	DRAWN BY: <i>alan.liu</i>	DATE:
	SIZE:	CHECKED BY:	DATE:		
	APPROVED BY:		DATE:		
	PROJECTION:				





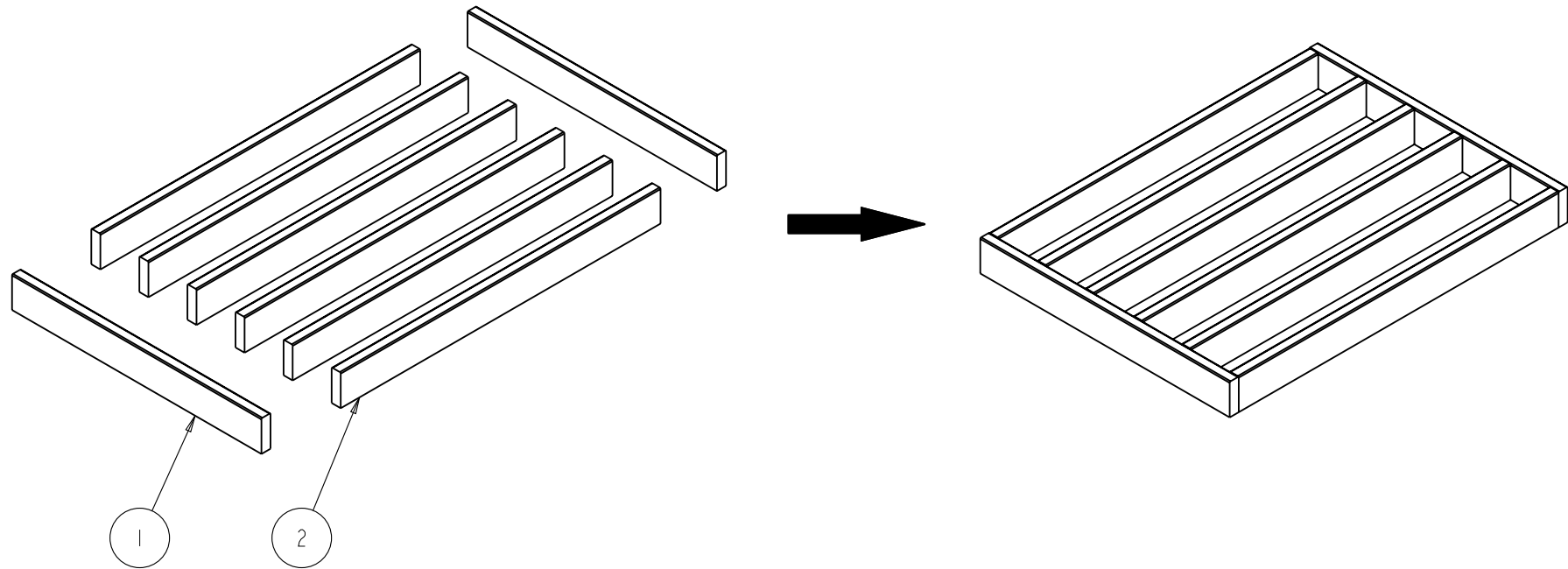
OUTER-BOARD-BACK SPEC SHEET:

Part Name	L
OUTER-BOARD-BACK-11"	10-1/2"
OUTER-BOARD-BACK-14"	13-1/2"
OUTER-BOARD-BACK-17"	16-1/2"
OUTER-BOARD-BACK-20"	19-1/2"

NOTE:

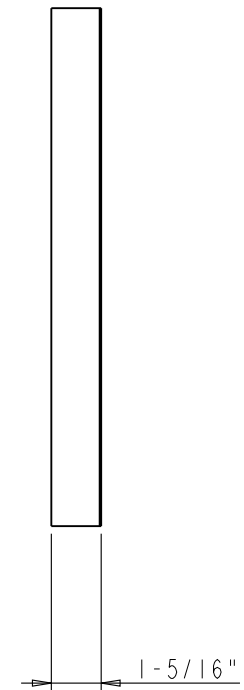
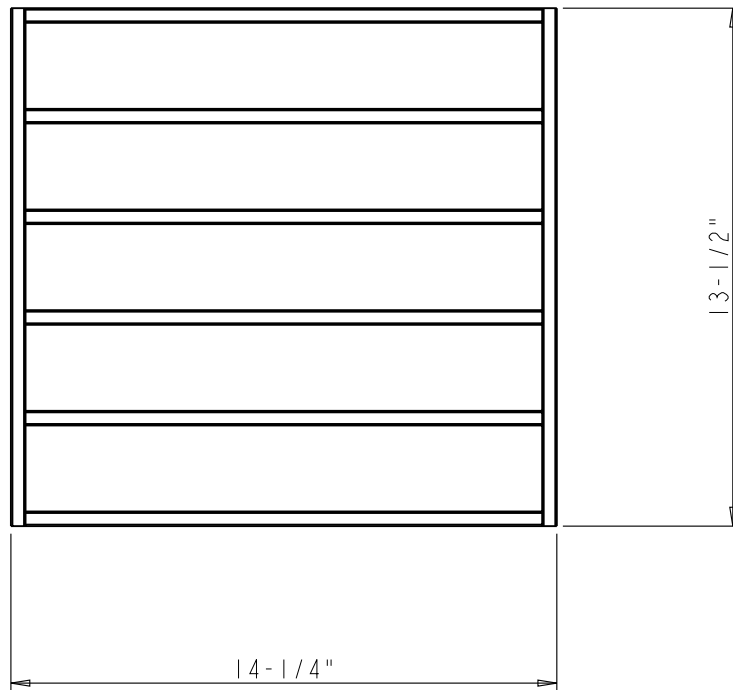
The dimension L of current OUTER-BOARD-BACK is showing with red frame

	ITEM#: OUTER-BOARD-BACK		MATERIAL: Solid Maple		
	FINISH: UV Finished		WEIGHT: 9		
<b>PROPRIETARY AND CONFIDENTIAL</b> THE INFORMATION CONTAINED IN THIS DRAWING IS THE SOLE PROPERTY OF HARDWARE RESOURCES INC. ANY REPRODUCTION IN PART OR AS A WHOLE WITHOUT THE WRITTEN PERMISSION OF HARDWARE RESOURCES INC. IS PROHIBITED.	TOLERANCE UNLESS OTHERWISE SPECIFIED: X: MM ±0.20 XX: MM ±0.10 XXX: MM ±0.05 ANGULAR: ±0.5° DO NOT SCALE DRAWING		UNIT:	DRAWN BY: alan.liu	DATE:
	SIZE:	CHECKED BY:	DATE:		
	APPROVED BY:		DATE:		
	PROJECTION:				

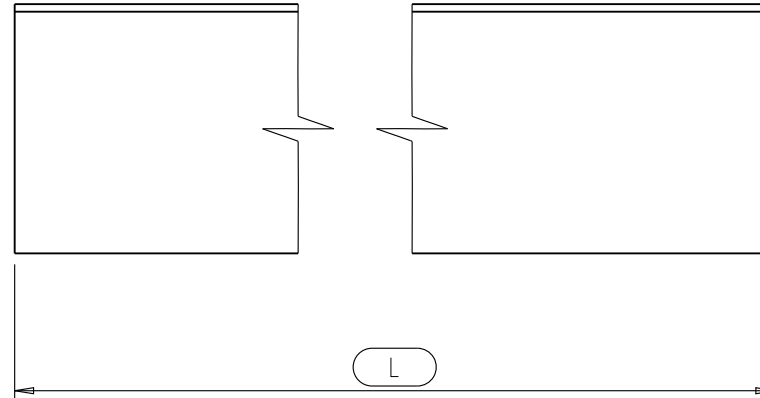
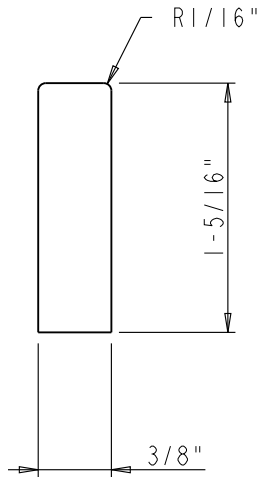


BILLS OF MATERIAL:

2	FRAME-BAR-DIVIDER	Solid Maple	6			PART	1
1	FRAME-BAR-OUTER	Solid Maple	2			PART	1
NO.	ITEM#	MATERIAL	QTY	UNIT	TOTLE	TYPE	ASSY LEVEL
				WEIGHT			
		ITEM#		MATERIAL:		ASSEMBLY	
PROPRIETARY AND CONFIDENTIAL THE INFORMATION CONTAINED IN THIS DRAWING IS THE SOLE PROPERTY OF HARDWARE RESOURCES INC. ANY REPRODUCTION IN PART OR AS A WHOLE WITHOUT THE WRITTEN PERMISSION OF HARDWARE RESOURCES INC. IS PROHIBITED.		FRAME-OUTER		WEIGHT:		9	
		FINISH:		PROJECTION:			
		TOLERANCE UNLESS OTHERWISE SPECIFIED: X: MM ±0.20 X.X: MM ±0.10 X.XX: MM ±0.05 ANGULAR: ±0.5° DO NOT SCALE DRAWING		UNIT: SIZE:		DRAWN BY: <i>alan.liu</i> CHECKED BY:	
				APPROVED BY:		DATE:	



	ITEM#: FRAME-OUTER-14		MATERIAL: ASSEMBLY		
	FINISH:		WEIGHT: 9		
<b>PROPRIETARY AND CONFIDENTIAL</b> THE INFORMATION CONTAINED IN THIS DRAWING IS THE SOLE PROPERTY OF HARDWARE RESOURCES INC. ANY REPRODUCTION IN PART OR AS A WHOLE WITHOUT THE WRITTEN PERMISSION OF HARDWARE RESOURCES INC. IS PROHIBITED.	TOLERANCE UNLESS OTHERWISE SPECIFIED: X : MM ±0.20 X.X : MM ±0.10 X.XX : MM ±0.05 ANGULAR: ±0.5° DO NOT SCALE DRAWING		UNIT:	DRAWN BY: <i>alan.liu</i>	DATE:
	SIZE:	CHECKED BY:	DATE:		
	APPROVED BY:		DATE:		
	PROJECTION:				



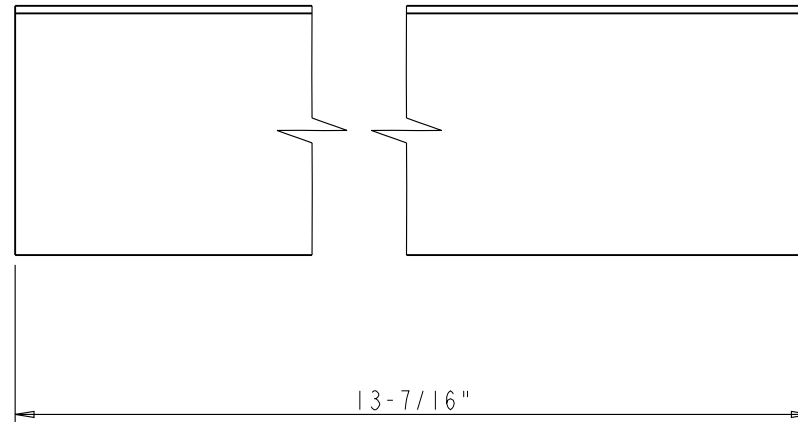
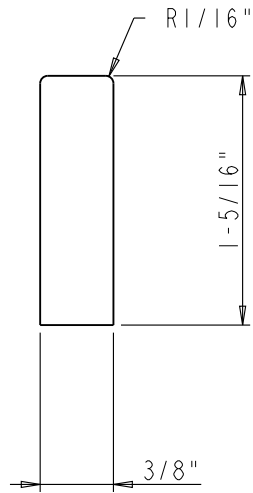
FRAME-BAR-OUTER SPEC SHEET:

Part Name	L
FRAME-BAR-OUTER-11"	10-1/2"
FRAME-BAR-OUTER-14"	13-1/2"
FRAME-BAR-OUTER-17"	16-1/2"
FRAME-BAR-OUTER-20"	19-1/2"

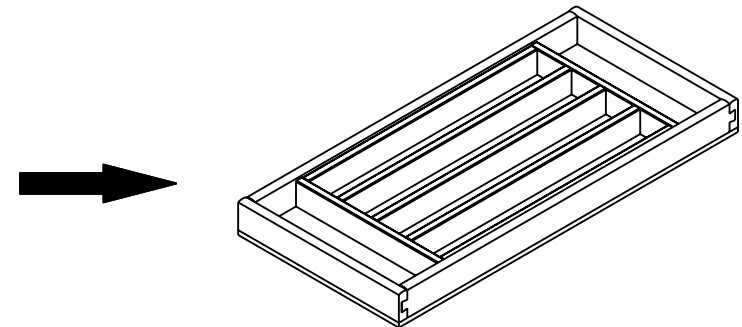
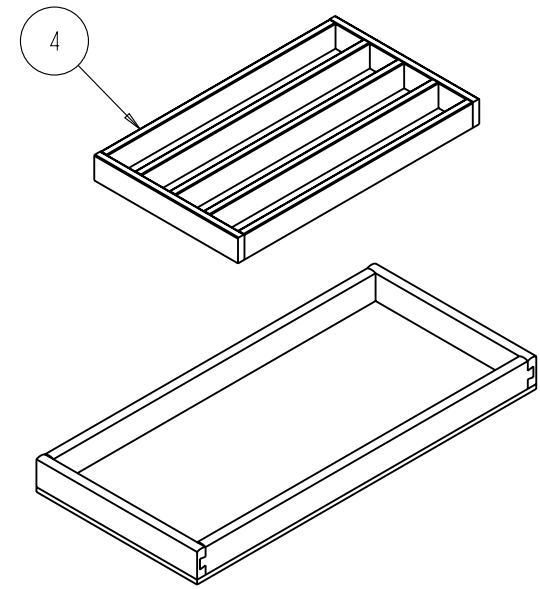
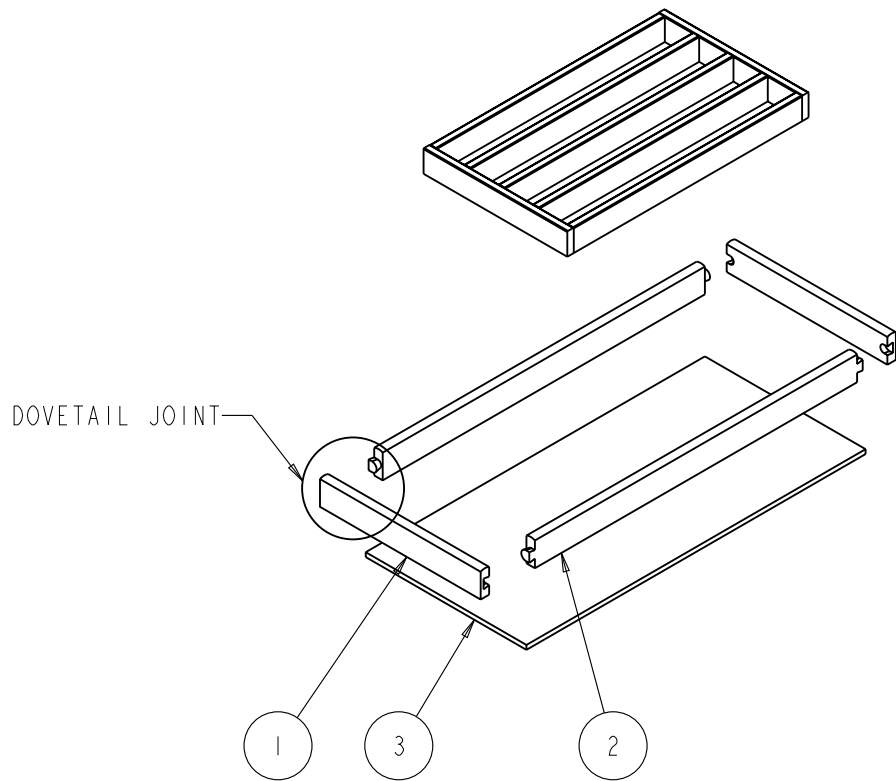
NOTE:

The dimension L of current FRAME-BAR-OUTER is showing with red frame

	ITEM#: FRAME-BAR-OUTER		MATERIAL: Solid Maple		
	FINISH: UV Finished		WEIGHT: 9		
<b>PROPRIETARY AND CONFIDENTIAL</b> THE INFORMATION CONTAINED IN THIS DRAWING IS THE SOLE PROPERTY OF HARDWARE RESOURCES INC. ANY REPRODUCTION IN PART OR AS A WHOLE WITHOUT THE WRITTEN PERMISSION OF HARDWARE RESOURCES INC. IS PROHIBITED.	TOLERANCE UNLESS OTHERWISE SPECIFIED: X: MM ±0.20 X.X: MM ±0.10 X.XX: MM ±0.05 ANGULAR: ±0.5° DO NOT SCALE DRAWING		UNIT:	DRAWN BY: <i>alan.liu</i>	DATE:
	SIZE:	CHECKED BY:	DATE:		
	APPROVED BY:		DATE:		
	PROJECTION:				



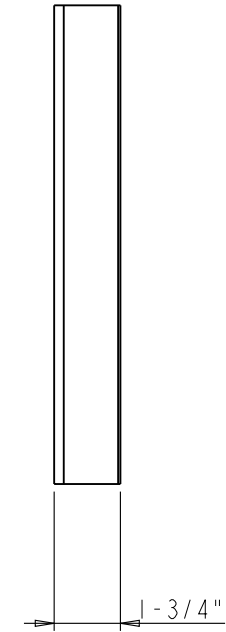
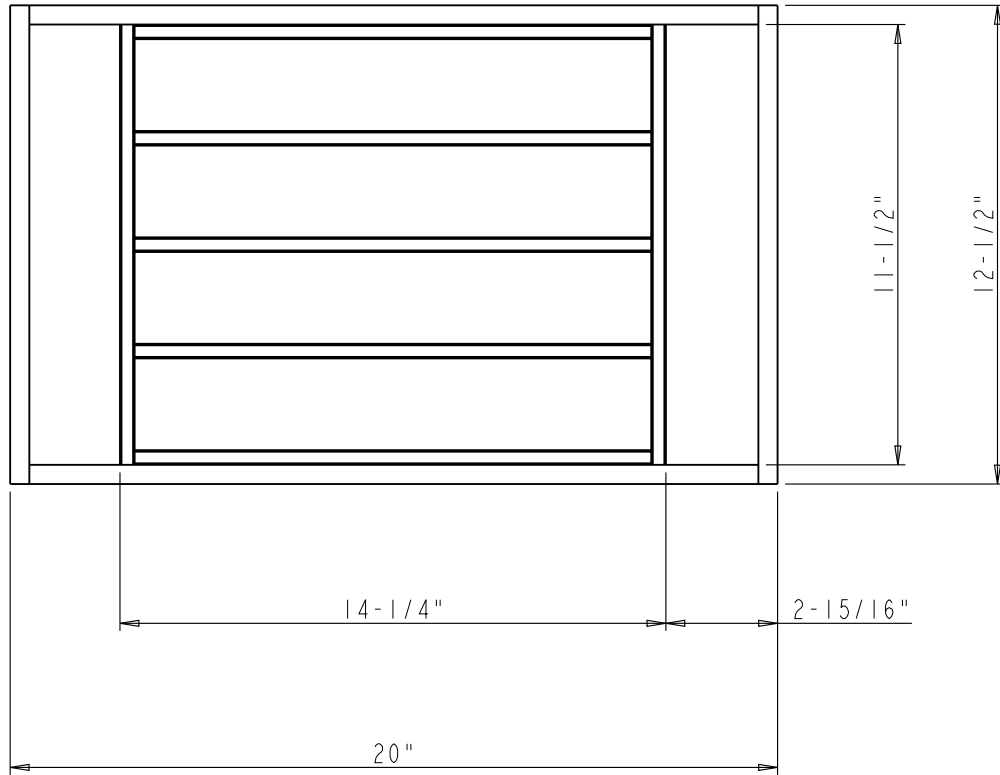
	ITEM#: FRAME-BAR-DIVIDER		MATERIAL: Solid Maple	
	FINISH: UV Finished		WEIGHT: 9	
<b>PROPRIETARY AND CONFIDENTIAL</b> THE INFORMATION CONTAINED IN THIS DRAWING IS THE SOLE PROPERTY OF HARDWARE RESOURCES INC. ANY REPRODUCTION IN PART OR AS A WHOLE WITHOUT THE WRITTEN PERMISSION OF HARDWARE RESOURCES INC. IS PROHIBITED.	TOLERANCE UNLESS OTHERWISE SPECIFIED:		PROJECTION:	
	X: MM ±0.20	UNIT:	DRAWN BY: <i>alan.liu</i>	DATE:
	X.X: MM ±0.10	SIZE:	CHECKED BY:	DATE:
	X.XX: MM ±0.05	APPROVED BY:	DATE:	
ANGULAR: ±0.5°	DO NOT SCALE DRAWING			



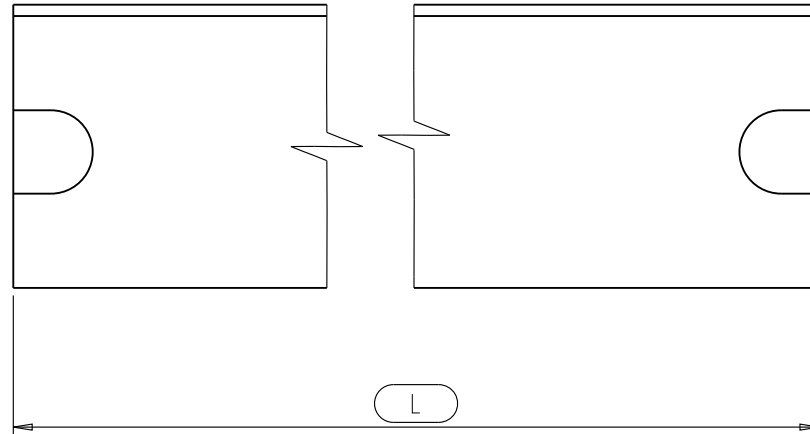
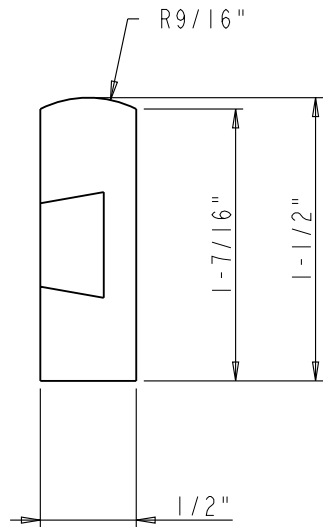
BILLS OF MATERIAL :

NO.	ITEM#	MATERIAL	QTY	UNIT	TOTL WEIGHT	TYPE	ASSY LEVEL
4	FRAME-INNER	ASSEMBLY	1			ASSEMBLY	1
3	INNER-BOARD-BTM	Birch Plywood	1			PART	1
2	INNER-BOARD-SIDE	Solid Maple	2			PART	1
1	INNER-BOARD-FRONT	Solid Maple	2			PART	1

<b>hardware resources</b>	ITEM#:	INNER-DRAWER		MATERIAL:	ASSEMBLY
	FINISH:			WEIGHT:	g
PROPRIETARY AND CONFIDENTIAL	THE INFORMATION CONTAINED IN THIS DRAWING IS THE SOLE PROPERTY OF HARDWARE RESOURCES INC. ANY REPRODUCTION IN PART OR AS A WHOLE WITHOUT THE WRITTEN PERMISSION OF HARDWARE RESOURCES INC. IS PROHIBITED		TOLERANCE UNLESS OTHERWISE SPECIFIED: X: MM ±0.20 X.X: MM ±0.10 X.XX: MM ±0.05 ANGULAR: ±0.5° DO NOT SCALE DRAWING	UNIT:	DRAWN BY: <i>alan.liu</i>
	SIZE:	CHECKED BY:	DATE:	APPROVED BY:	DATE:



	ITEM#: INNER-DRAWER-14		MATERIAL: ASSEMBLY		
	FINISH:		WEIGHT: 9		
<b>PROPRIETARY AND CONFIDENTIAL</b> THE INFORMATION CONTAINED IN THIS DRAWING IS THE SOLE PROPERTY OF HARDWARE RESOURCES INC. ANY REPRODUCTION IN PART OR AS A WHOLE WITHOUT THE WRITTEN PERMISSION OF HARDWARE RESOURCES INC. IS PROHIBITED.	TOLERANCE UNLESS OTHERWISE SPECIFIED: X : MM ±0.20 X.X : MM ±0.10 X.XX : MM ±0.05 ANGULAR: ±0.5° DO NOT SCALE DRAWING		UNIT:	DRAWN BY: <i>alan.liu</i>	DATE:
	SIZE:	CHECKED BY:	DATE:		
	APPROVED BY:		DATE:		
	PROJECTION:				



INNER-BOARD-FRONT SPEC SHEET:

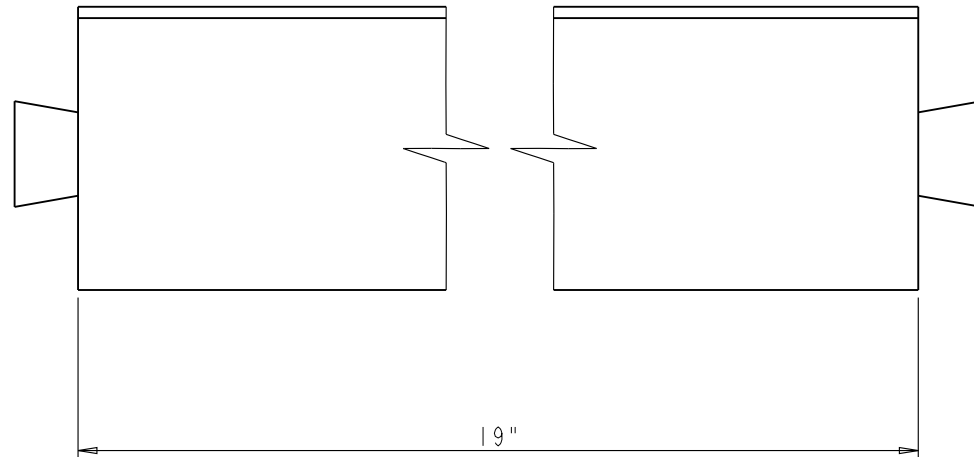
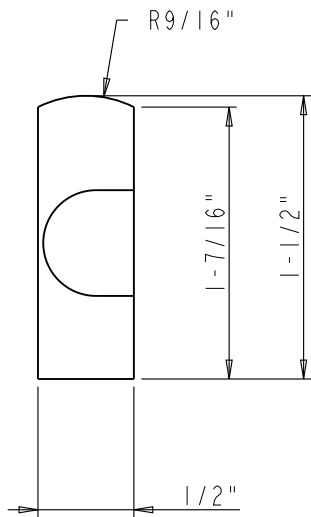
Part Name	L
INNER-BOARD-FRONT-11"	9-1/2"
INNER-BOARD-FRONT-14"	12-1/2"
INNER-BOARD-FRONT-17"	15-1/2"
INNER-BOARD-FRONT-20"	18-1/2"


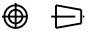
NOTE:

The dimension L of current INNER-BOARD-FRONT is showing with red frame

	ITEM: INNER-BOARD-FRONT		MATERIAL: Solid Maple		
	FINISH: UV Finished		WEIGHT: 9		
<b>PROPRIETARY AND CONFIDENTIAL</b> THE INFORMATION CONTAINED IN THIS DRAWING IS THE SOLE PROPERTY OF HARDWARE RESOURCES INC. ANY REPRODUCTION IN PART OR AS A WHOLE WITHOUT THE WRITTEN PERMISSION OF HARDWARE RESOURCES INC. IS PROHIBITED.	TOLERANCE UNLESS OTHERWISE SPECIFIED: X: MM ±0.20 X.X: MM ±0.10 X.XX: MM ±0.05 ANGULAR: ±0.5° DO NOT SCALE DRAWING		UNIT:	DRAWN BY: <i>alan.liu</i>	DATE:
	SIZE:	CHECKED BY:	DATE:		
	APPROVED BY:		DATE:		
	PROJECTION:				





	ITEM: INNER-BOARD-SIDE		MATERIAL: Solid Maple	
	FINISH: UV Finished		WEIGHT: 9	
<b>PROPRIETARY AND CONFIDENTIAL</b> THE INFORMATION CONTAINED IN THIS DRAWING IS THE SOLE PROPERTY OF HARDWARE RESOURCES INC. ANY REPRODUCTION IN PART OR AS A WHOLE WITHOUT THE WRITTEN PERMISSION OF HARDWARE RESOURCES INC. IS PROHIBITED.	TOLERANCE UNLESS OTHERWISE SPECIFIED:	UNIT:	DRAWN BY:	DATE:
	X: MM ±0.20	SIZE:	alan.liu	
	X.X: MM ±0.10	CHECKED BY:		DATE:
	X.XX: MM ±0.05	APPROVED BY:		DATE:
ANGULAR: ±0.5°	DO NOT SCALE DRAWING		PROJECTION: 	



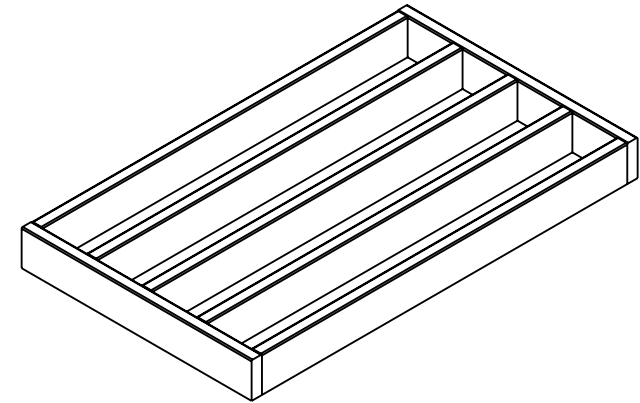
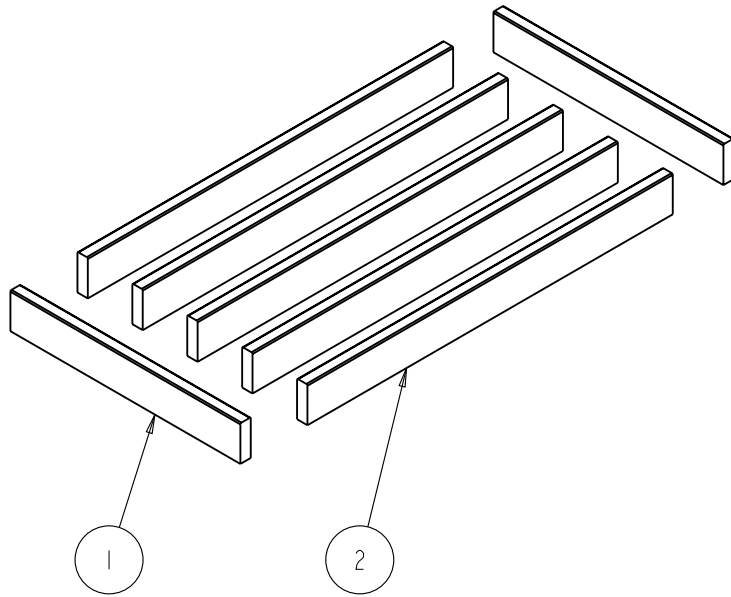
INNER-BOARD-BTM SPEC SHEET:

Part Name	L
INNER-BOARD-BTM-11"	9-1/2"
INNER-BOARD-BTM-14"	12-1/2"
INNER-BOARD-BTM-17"	15-1/2"
INNER-BOARD-BTM-20"	18-1/2"

NOTE:

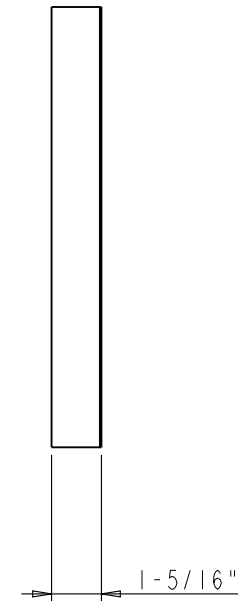
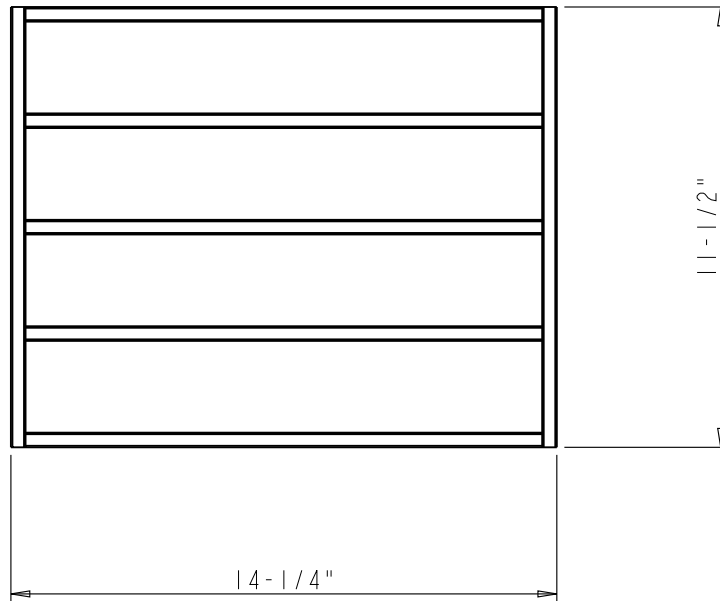
The dimension L of current INNER-BOARD-BTM is showing with red frame

	ITEM#: INNER-BOARD-BTM		MATERIAL: Birch Plywood		
	FINISH: UV Finished		WEIGHT: 9		
<b>PROPRIETARY AND CONFIDENTIAL</b> THE INFORMATION CONTAINED IN THIS DRAWING IS THE SOLE PROPERTY OF HARDWARE RESOURCES INC. ANY REPRODUCTION IN PART OR AS A WHOLE WITHOUT THE WRITTEN PERMISSION OF HARDWARE RESOURCES INC. IS PROHIBITED.	TOLERANCE UNLESS OTHERWISE SPECIFIED: X: MM ±0.20 X.X: MM ±0.10 X.XX: MM ±0.05 ANGULAR: ±0.5° DO NOT SCALE DRAWING		UNIT:	DRAWN BY: <i>alan.liu</i>	DATE:
	SIZE:	CHECKED BY:	DATE:		
	APPROVED BY:		DATE:		
	PROJECTION:				

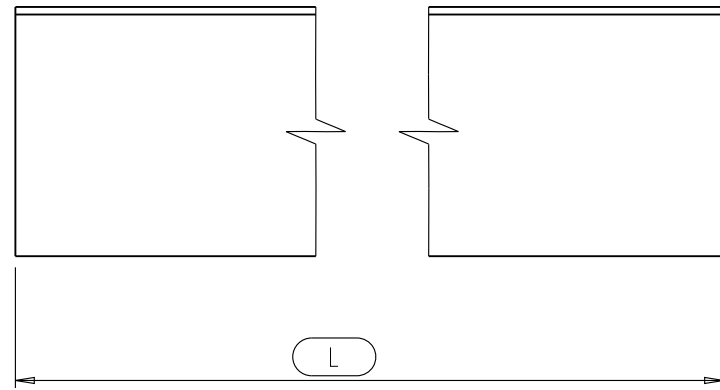
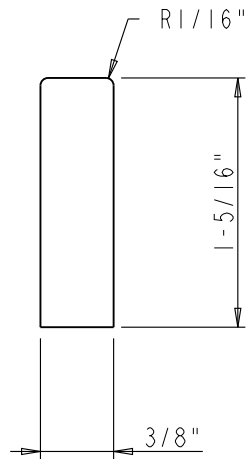


BILLS OF MATERIAL:

2	FRAME-BAR-DIVIDER	Solid Maple	5			PART	1
1	FRAME-BAR-INNER	Solid Maple	2			PART	1
NO.	ITEM#	MATERIAL	QTY	UNIT	TOTLE	TYPE	ASSY LEVEL
				WEIGHT			
<b>hardware resources</b>		ITEM#: FRAME - INNER		MATERIAL: ASSEMBLY			
PROPRIETARY AND CONFIDENTIAL		FINISH:		WEIGHT: 9			
THE INFORMATION CONTAINED IN THIS DRAWING IS THE SOLE PROPERTY OF HARDWARE RESOURCES INC. ANY REPRODUCTION IN PART OR AS A WHOLE WITHOUT THE WRITTEN PERMISSION OF HARDWARE RESOURCES INC. IS PROHIBITED		TOLERANCE UNLESS OTHERWISE SPECIFIED: X : MM ±0.20 X.X : MM ±0.10 X.XX : MM ±0.05 ANGULAR: ±0.5° DO NOT SCALE DRAWING		UNIT:	DRAWN BY: alan.liu	DATE:	
		SIZE:		CHECKED BY:	DATE:		
				APPROVED BY:	DATE:		



	ITEM#: FRAME - INNER - 14		MATERIAL: ASSEMBLY		
	FINISH:		WEIGHT: 9		
<b>PROPRIETARY AND CONFIDENTIAL</b> THE INFORMATION CONTAINED IN THIS DRAWING IS THE SOLE PROPERTY OF HARDWARE RESOURCES INC. ANY REPRODUCTION IN PART OR AS A WHOLE WITHOUT THE WRITTEN PERMISSION OF HARDWARE RESOURCES INC. IS PROHIBITED.	TOLERANCE UNLESS OTHERWISE SPECIFIED: X : MM ±0.20 X.X : MM ±0.10 X.XX : MM ±0.05 ANGULAR: ±0.5° DO NOT SCALE DRAWING		UNIT: SIZE:	DRAWN BY: <i>alan.liu</i>	DATE:
				CHECKED BY:	DATE:
				APPROVED BY:	DATE:



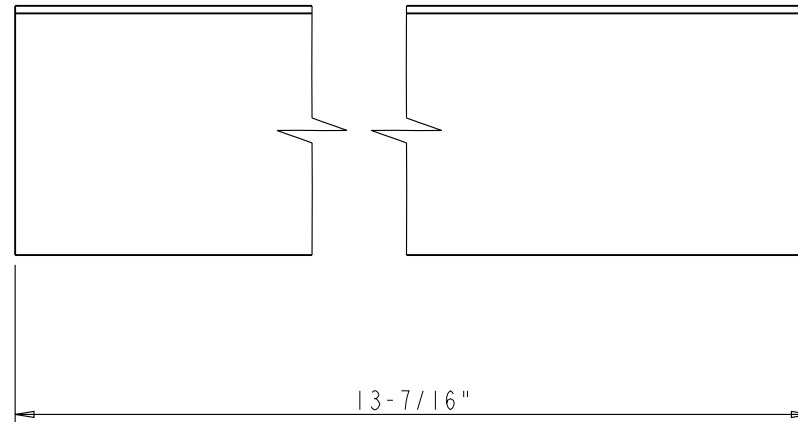
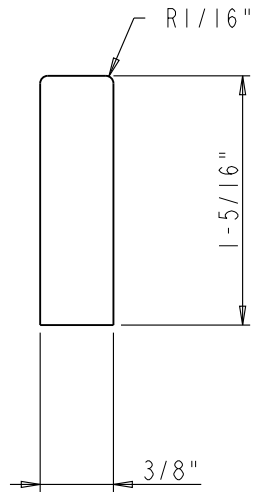
FRAME-BAR-INNER SPEC SHEET:


Part Name	L
FRAME-BAR-INNER-11"	8-1/2"
FRAME-BAR-INNER-14"	11-1/2"
FRAME-BAR-INNER-17"	14-1/2"
FRAME-BAR-INNER-20"	17-1/2"

NOTE:

The dimension L of current FRAME-BAR-INNER is showing with red frame

	ITEM: FRAME-BAR-INNER		MATERIAL: Solid Maple		
	FINISH: UV Finished		WEIGHT: 9		
<b>PROPRIETARY AND CONFIDENTIAL</b> THE INFORMATION CONTAINED IN THIS DRAWING IS THE SOLE PROPERTY OF HARDWARE RESOURCES INC. ANY REPRODUCTION IN PART OR AS A WHOLE WITHOUT THE WRITTEN PERMISSION OF HARDWARE RESOURCES INC. IS PROHIBITED.	TOLERANCE UNLESS OTHERWISE SPECIFIED: X: MM ±0.20 X.X: MM ±0.10 X.XX: MM ±0.05 ANGULAR: ±0.5° DO NOT SCALE DRAWING		UNIT:	DRAWN BY: <i>alan.liu</i>	DATE:
	SIZE:	CHECKED BY:	DATE:		
	APPROVED BY:		DATE:		
	PROJECTION:				



	ITEM#: FRAME-BAR-DIVIDER		MATERIAL: Solid Maple		
	FINISH: UV Finished		WEIGHT: 9		
<b>PROPRIETARY AND CONFIDENTIAL</b> THE INFORMATION CONTAINED IN THIS DRAWING IS THE SOLE PROPERTY OF HARDWARE RESOURCES INC. ANY REPRODUCTION IN PART OR AS A WHOLE WITHOUT THE WRITTEN PERMISSION OF HARDWARE RESOURCES INC. IS PROHIBITED.	TOLERANCE UNLESS OTHERWISE SPECIFIED: X: MM ±0.20 X.X: MM ±0.10 X.XX: MM ±0.05 ANGULAR: ±0.5° DO NOT SCALE DRAWING		UNIT:	DRAWN BY: <i>alan.liu</i>	DATE:
	SIZE:	CHECKED BY:	DATE:		
	APPROVED BY:		DATE:		
	PROJECTION: 