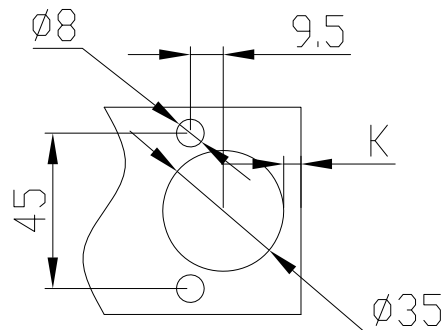
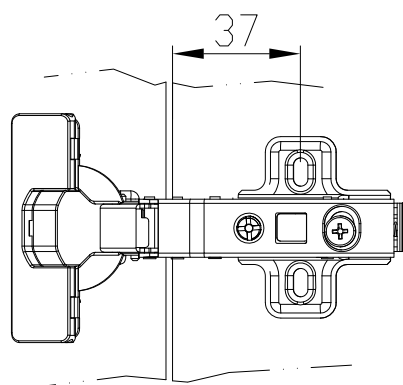
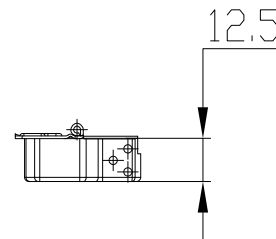
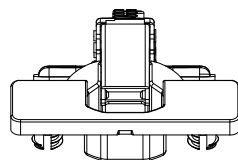
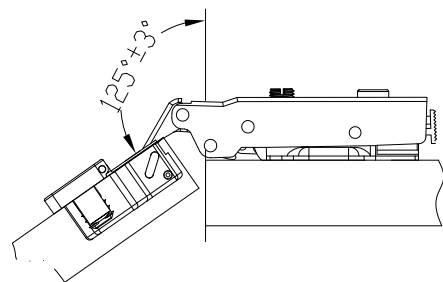


THE INFORMATION CONTAINED IN THIS DRAWING IS THE SOLE PROPERTY OF HARDWARE RESOURCES INC. ANY REPRODUCTION IN PART OR AS A WHOLE WITHOUT THE WRITTEN PERMISSION OF HARDWARE RESOURCES INC. IS PROHIBITED.

- NOTES:
 1. DRAWN IN ACCORDANCE WITH ASME Y14.5M
 2. REMOVE ALL BURRS AND SHARP EDGES
 3. ALL FILLETS AND ROUNDS R 0.05 UNLESS OTHERWISE SPECIFIED

R E V I S I O N S

ECO	REV	DESCRIPTION	DATE	APPROVED

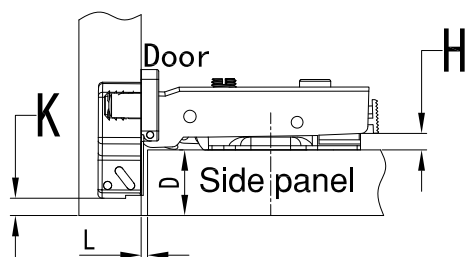


A:Reveal calculations

D:Overley calculations

$$H=14+K-D$$

$\frac{D}{H} \backslash \frac{K}{H}$	3	4	5	6	7
0	17	18	19	20	21
2	15	16	17	18	19
4	13	14	15	16	17



UNLESS OTHERWISE SPECIFIED DIM ARE IN MILLIMETERS (mm)

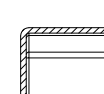
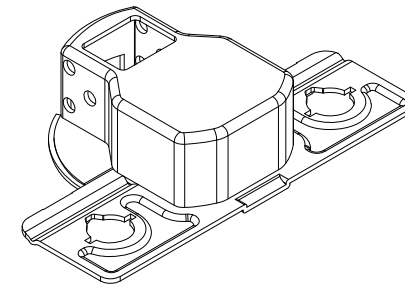
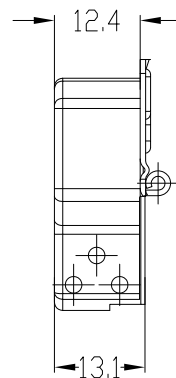
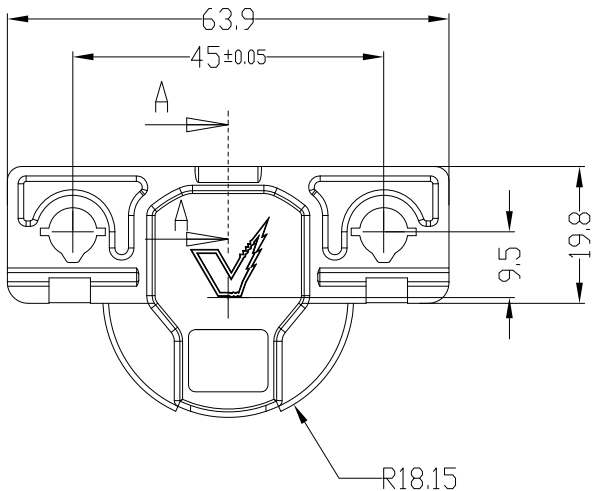
GENERAL TOLERANCES	
0.00 - 14.99	± 0.10
15.00 - 39.99	± 0.20
40.00 - 74.99	± 0.30
75.00 - 99.99	± 0.45
100.00 - 199.99	± 0.70
200.00 - 299.99	± 1.00
300.00 -	± 1.10
ANGLE	± 1.0°

THIRD ANGLE PROJECTION		rh04-pc_img_1.png	
		TITLE	
MATERIAL	FINISH	ASM	
DRAWN BY		700 SERIES HINGES	
DESIGNED BY		DRAWING NUMBER	
DATE		REV	
DATE		700.0U94.05	
APPROVED BY		A	
DATE	SIZE	RELEASE LEVEL	A
	A3	SCALE	1:1
		SHEET 1 OF 1	

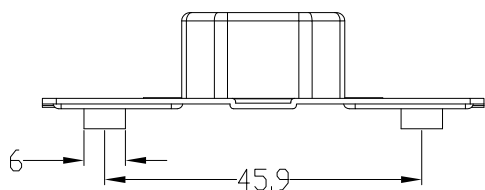
THE INFORMATION CONTAINED IN THIS DRAWING IS THE SOLE PROPERTY OF HARDWARE RESOURCES INC. ANY REPRODUCTION IN PART OR AS A WHOLE WITHOUT THE WRITTEN PERMISSION OF HARDWARE RESOURCES INC. IS PROHIBITED.

- NOTES:
 1. DRAWN IN ACCORDANCE WITH ASME Y14.5M
 2. REMOVE ALL BURRS AND SHARP EDGES
 3. ALL FILLETS AND ROUNDS R 0.05 UNLESS OTHERWISE SPECIFIED

R E V I S I O N S				
ECO	REV	DESCRIPTION	DATE	APPROVED



SECTION A-A



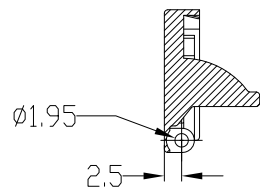
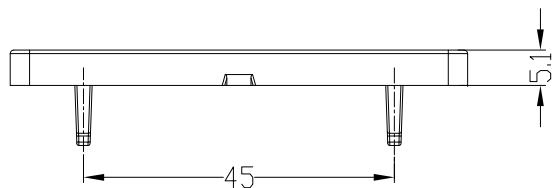
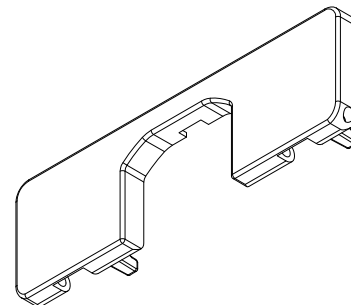
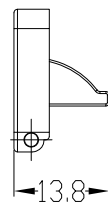
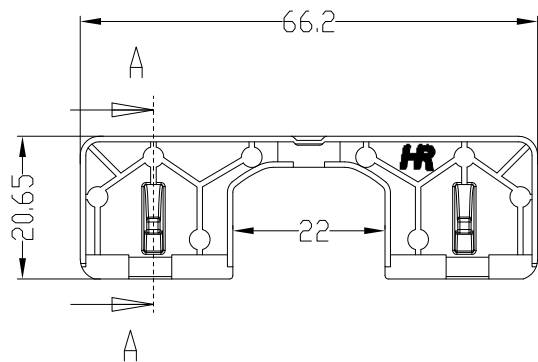
UNLESS OTHERWISE SPECIFIED DIM ARE IN MILLIMETERS (mm)	
GENERAL TOLERANCES	
0.00 - 14.99	± 0.10
15.00 - 39.99	± 0.20
40.00 - 74.99	± 0.30
75.00 - 99.99	± 0.45
100.00 - 199.99	± 0.70
200.00 - 299.99	± 1.00
300.00 -	± 1.10
ANGLE	± 1.0°

THIRD ANGLE PROJECTION		rh04-pc_img_1.png		
MATERIAL		FINISH		TITLE
SPCE T=0.7				
DRAWN BY		DATE		CUP 700 SERIES HINGES
Hugo Cai		09-25-14		
DESIGNED BY		DATE		DRAWING NUMBER
APPROVED BY		DATE		REV
				A
		SIZE	RELEASE LEVEL	A
		A3	SCALE 1:1	SHEET 1 OF 1

THE INFORMATION CONTAINED IN THIS DRAWING IS THE SOLE PROPERTY OF HARDWARE RESOURCES INC. ANY REPRODUCTION IN PART OR AS A WHOLE WITHOUT THE WRITTEN PERMISSION OF HARDWARE RESOURCES INC. IS PROHIBITED.

- NOTES:
 1. DRAWN IN ACCORDANCE WITH ASME Y14.5M
 2. REMOVE ALL BURRS AND SHARP EDGES
 3. ALL FILLETS AND ROUNDS R 0.05 UNLESS OTHERWISE SPECIFIED

R E V I S I O N S				
ECO	REV	DESCRIPTION	DATE	APPROVED



SECTION A-A

UNLESS OTHERWISE SPECIFIED DIM ARE IN MILLIMETERS (mm)	
GENERAL TOLERANCES	
0.00 - 14.99	± 0.10
15.00 - 39.99	± 0.20
40.00 - 74.99	± 0.30
75.00 - 99.99	± 0.45
100.00 - 199.99	± 0.70
200.00 - 299.99	± 1.00
300.00 -	± 1.10
ANGLE	± 1.0°

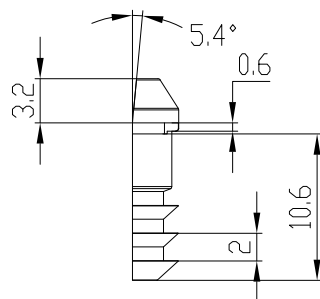
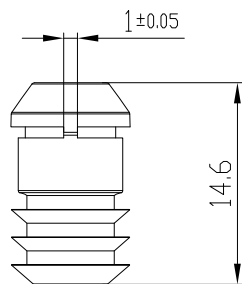
THIRD ANGLE PROJECTION		rh04-pc_img_1.png	
MATERIAL	FINISH	TITLE	
ZINC	NI	PLATE	
DRAWN BY	DATE	700 SERIES HINGES	
Hugo Cai	09-25-14	DRAWING NUMBER	
DESIGNED BY	DATE	700.0U94.05	
APPROVED BY	DATE	SIZE	RELEASE LEVEL
		A3	A
		SCALE	SHEET
		1:1	1 OF 1

8 | 7 | 6 | 5 | 4 | 3 | 2 | 1

THE INFORMATION CONTAINED IN THIS DRAWING IS THE SOLE PROPERTY OF HARDWARE RESOURCES INC. ANY REPRODUCTION IN PART OR AS A WHOLE WITHOUT THE WRITTEN PERMISSION OF HARDWARE RESOURCES INC. IS PROHIBITED.

- NOTES:
 1. DRAWN IN ACCORDANCE WITH ASME Y14.5M
 2. REMOVE ALL BURRS AND SHARP EDGES
 3. ALL FILLETS AND ROUNDS R 0.05 UNLESS OTHERWISE SPECIFIED

R E V I S I O N S				
ECO	REV	DESCRIPTION	DATE	APPROVED



UNLESS OTHERWISE SPECIFIED DIM ARE IN MILLIMETERS (mm)

GENERAL TOLERANCES	
0.00 - 14.99	± 0.10
15.00 - 39.99	± 0.20
40.00 - 74.99	± 0.30
75.00 - 99.99	± 0.45
100.00 - 199.99	± 0.70
200.00 - 299.99	± 1.00
300.00 -	± 1.10
ANGLE	± 1.0°

THIRD ANGLE PROJECTION		rh04-pc_img_1.png	
MATERIAL	FINISH	TITLE	
PA66		PLASTIC CASING 700 SERIES HINGES	
DRAWN BY	DATE	DRAWING NUMBER	REV
Hugo Cai	09-25-14	700.0U94.05	A
DESIGNED BY	DATE	SIZE	RELEASE LEVEL
		A3	A
APPROVED BY	DATE	SCALE	SHEET
		1:1	1 OF 1

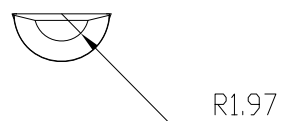
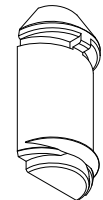
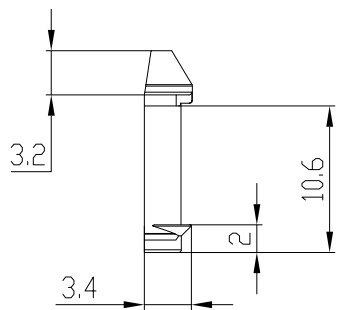
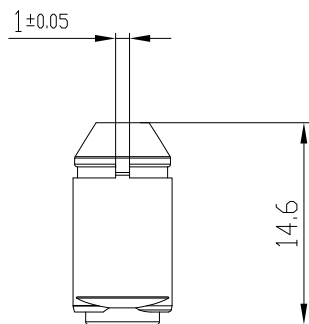
8 | 7 | 6 | 5 | 4 | 3 | 2 | 1

8 | 7 | 6 | 5 | 4 | 3 | 2 | 1

THE INFORMATION CONTAINED IN THIS DRAWING IS THE SOLE PROPERTY OF HARDWARE RESOURCES INC. ANY REPRODUCTION IN PART OR AS A WHOLE WITHOUT THE WRITTEN PERMISSION OF HARDWARE RESOURCES INC. IS PROHIBITED.

- NOTES:
 1. DRAWN IN ACCORDANCE WITH ASME Y14.5M
 2. REMOVE ALL BURRS AND SHARP EDGES
 3. ALL FILLETS AND ROUNDS R 0.05 UNLESS OTHERWISE SPECIFIED

R E V I S I O N S				
ECO	REV	DESCRIPTION	DATE	APPROVED



UNLESS OTHERWISE SPECIFIED DIM ARE IN MILLIMETERS (mm)

GENERAL TOLERANCES	
0.00 - 14.99	± 0.10
15.00 - 39.99	± 0.20
40.00 - 74.99	± 0.30
75.00 - 99.99	± 0.45
100.00 - 199.99	± 0.70
200.00 - 299.99	± 1.00
300.00 -	± 1.10
ANGLE	± 1.0°

THIRD ANGLE PROJECTION		rh04-pc_img_1.png	
		TITLE	
MATERIAL	FINISH	SHAFT 700 SERIES HINGES	
ZINC			
DRAWN BY	DATE	DRAWING NUMBER	REV
Hugo Cai	09-25-14	700.0U94.05	A
DESIGNED BY	DATE	SIZE	RELEASE LEVEL
		A3	A
APPROVED BY	DATE	SCALE	SHEET
		1:1	1 OF 1

8 | 7 | 6 | 5 | 4 | 3 | 2 | 1