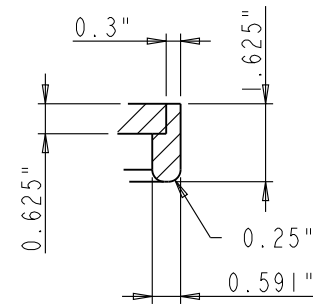
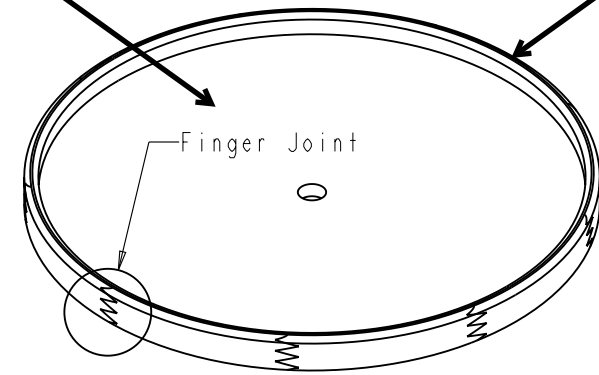


Ply wood with C/D Birch veneer

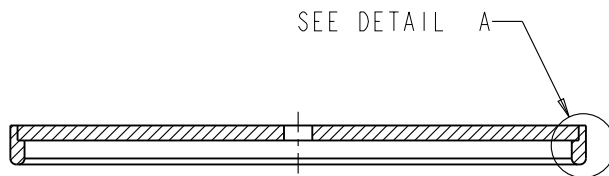
Birch



DETAIL A  
SCALE 1:4

Spec Sheet:

Item NO.	A
LSR18	18"
LSR24	24"
LSR28	28"



SECTION A-A

	ITEM: LSR		MATERIAL: PLY Wood		
	FINISH:		WEIGHT: g		
<b>PROPRIETARY AND CONFIDENTIAL</b> THE INFORMATION CONTAINED IN THIS DRAWING IS THE SOLE PROPERTY OF HARDWARE RESOURCES INC. ANY REPRODUCTION IN PART OR AS A WHOLE WITHOUT THE WRITTEN PERMISSION OF HARDWARE RESOURCES INC. IS PROHIBITED.	TOLERANCE UNLESS OTHERWISE SPECIFIED: X: MM ±0.20 X.X: MM ±0.10 X.XX: MM ±0.05 ANGULAR: ±0.5° DO NOT SCALE DRAWING		UNIT: INCH SIZE:	DRAWN BY: <i>alan.liu</i> CHECKED BY: APPROVED BY:	DATE: DATE: DATE:
	PROJECTION:		DATE:		
	DATE:		DATE:		
	DATE:		DATE:		