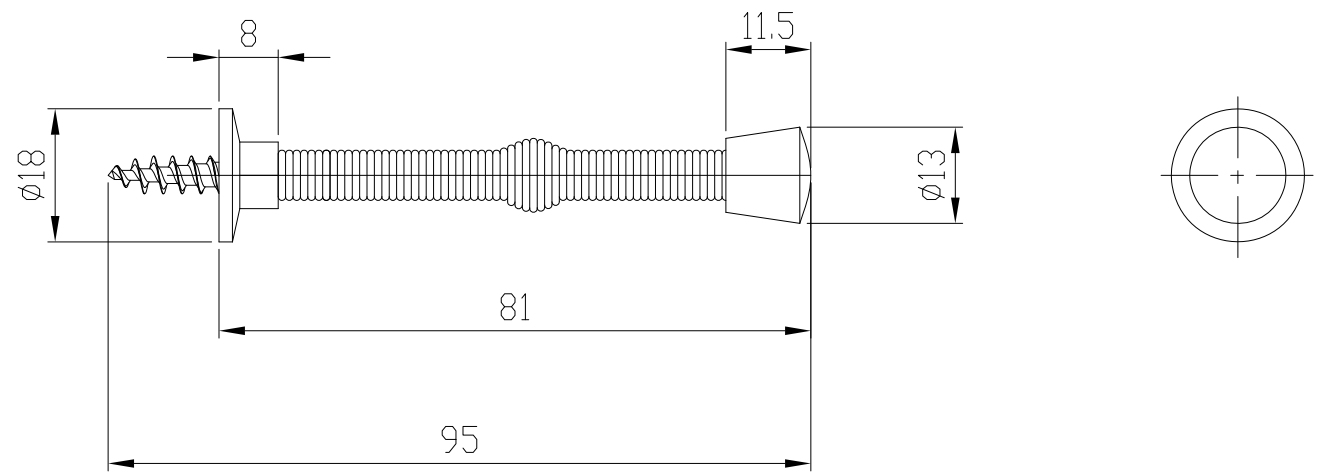


8 | 7 | 6 | 5 | 4 | 3 | 2 | 1

THE INFORMATION CONTAINED IN THIS DRAWING IS THE SOLE PROPERTY OF HARDWARE RESOURCES INC. ANY REPRODUCTION IN PART OR AS A WHOLE WITHOUT THE WRITTEN PERMISSION OF HARDWARE RESOURCES INC. IS PROHIBITED.

R E V I S I O N S				
ECO	REV	DESCRIPTION	DATE	APPROVED



F
E
D
C
B
A

F
E
D
C
B
A

UNLESS OTHERWISE SPECIFIED DIM ARE IN MILLIMETERS (mm)	
GENERAL TOLERANCES	
0.00 - 14.99	± 0.10
15.00 - 39.99	± 0.20
40.00 - 74.99	± 0.30
75.00 - 99.99	± 0.45
100.00 - 199.99	± 0.70
200.00 - 299.99	± 1.00
300.00 -	± 1.10
ANGLE	± 1.0°

THIRD ANGLE PROJECTION	
MATERIAL	FINISH
STEEL	
DRAWN BY	DATE
Alexander.W	08-03-16
DESIGNED BY	DATE
APPROVED BY	DATE

hardware resources[®]

TITLE	
DS05	
DRAWING NUMBER	
	REV
SIZE	RELEASE LEVEL
A3	SCALE 1:1
SHEET 1 OF 1	

8 | 7 | 6 | 5 | 4 | 3 | 2 | 1