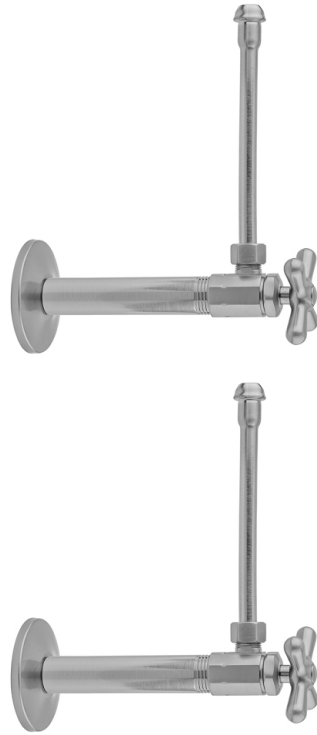


Multi Turn Angle Pattern 1/2" IPS x 3/8" O.D. Faucet Supply Kit with Cross Handle, 20" Supply Tubes, Escutcheons



Model #: 586X-62-



FEATURES:

- Complete Faucet Supply Kit
- Kit contains:
 - (2) Multi Turn Angle Pattern 1/2" IPS x 3/8" O.D. Supply Valve with Cross Handle P/N 586X
 - (2) 20" Copper Supply Tubes P/N 662
 - (2) Escutcheons P/N 741
 - (2) 1/2" Brass Nipples P/N 801-12.4

AVAILABLE FINISHES:

- | | | |
|-----------------------|---------------------|-------------------------|
| Polished Chrome (PCH) | Satin Chrome (SC) | Satin Nickel (SN) |
| Polished Nickel (PN) | Antique Brass (AB) | Oil-Rubbed Bronze (ORB) |
| Polished Brass (PB) | Vintage Bronze (VB) | |

SPECIFICATION DRAWING:

COMPONENTS	
DESCRIPTION	QTY:
ANGLE VALVE - STANDARD CROSS HANDLE	2
20" X 3/8" O.D. SUPPLY TUBE	2
ESCUTCHEON	2
4" NIPPLE	2

AVAILABLE HANDLES:

