

Installation Guide

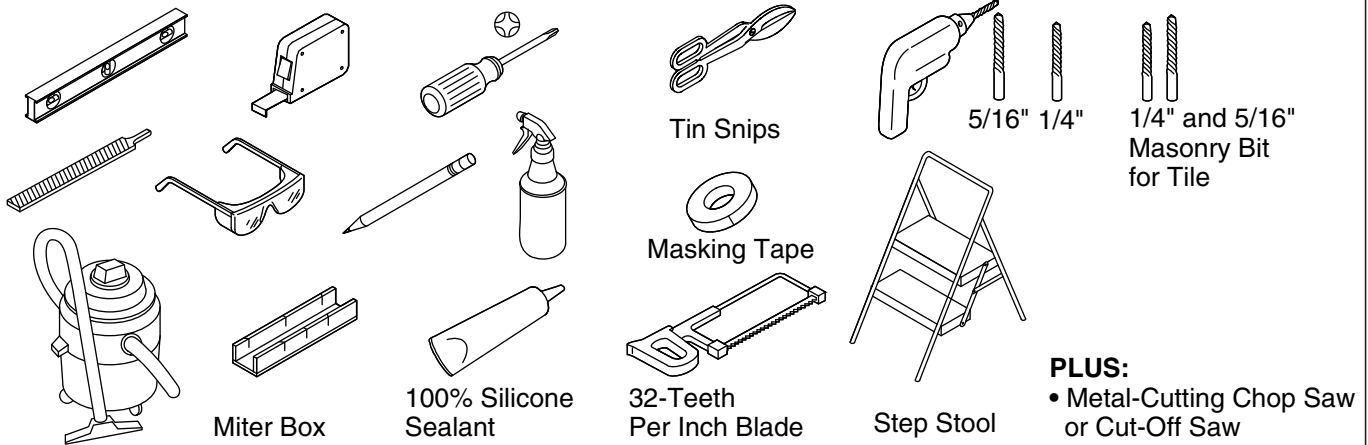
Sliding Shower Door

Français, page "Français-1"
Español, página "Español-1"

THE BOLD LOOK
OF **KOHLER**®

1351435-2-C

Tools and Materials



Before You Begin



WARNING: Risk of serious injury. Damage before installation can result in glass shattering. Inspect the glass and all parts for damage before installation.



WARNING: Risk of serious injury. Improper installation can result in glass shattering. Follow all installation instructions.



WARNING: Risk of serious injury. Do not cut tempered glass. Tempered glass will shatter if cut.



WARNING: Risk of serious injury. Shower door and side panels can shatter. Regularly inspect the glass and all parts for damage, missing or loose parts.



WARNING: Risk of serious injury. Always wear safety glasses while cutting and drilling.



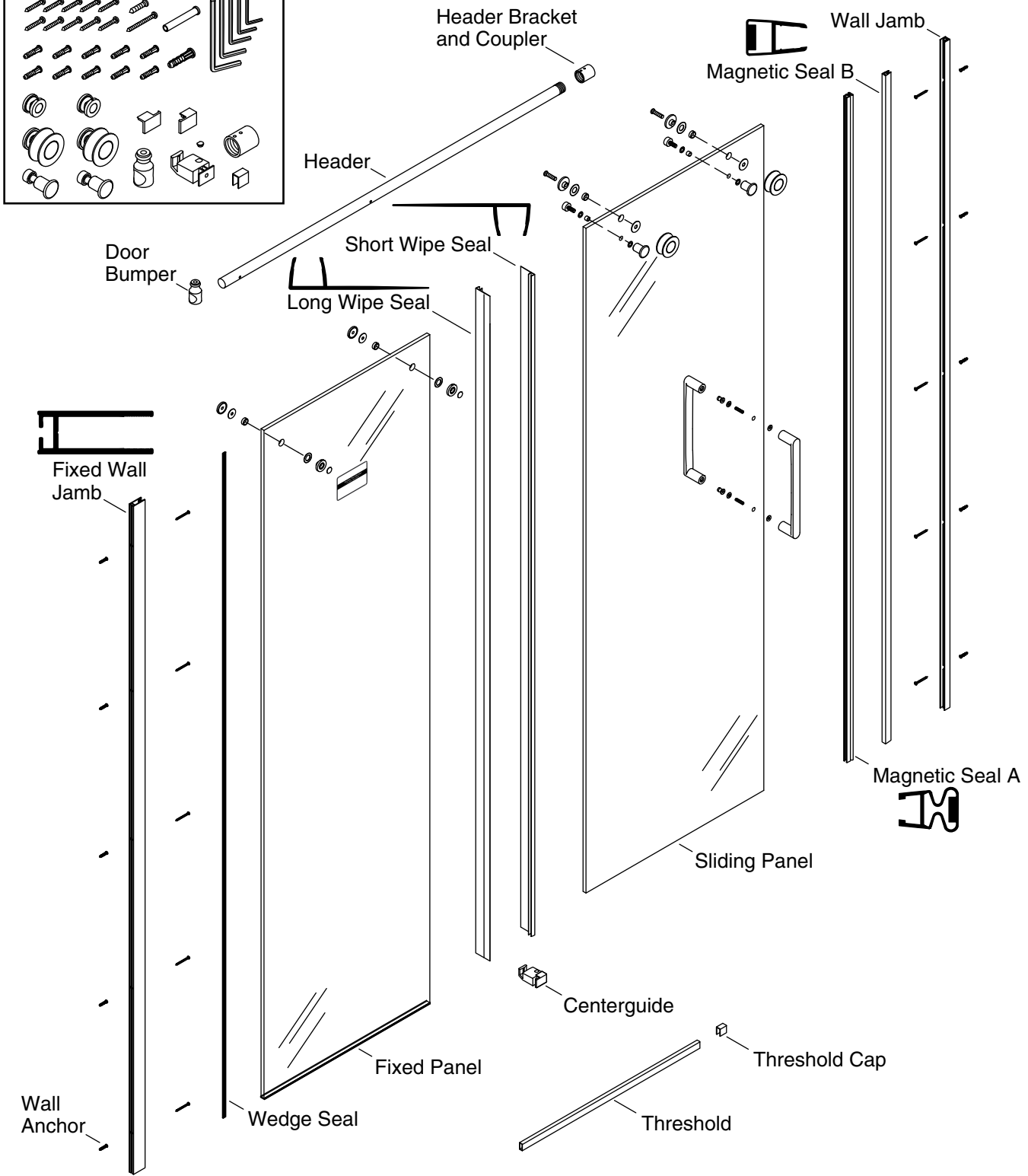
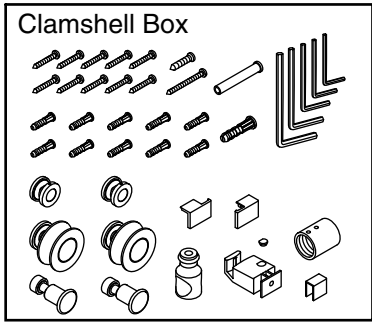
CAUTION: Risk of personal injury. Tempered glass should not contact hard surfaces or it may shatter. Do not touch the edge of the tempered glass panel with tools or any hard objects.

IMPORTANT! Leave this manual for the end user. Read these instructions before installing or using this product.

IMPORTANT! This door is designed to accommodate walls that are less than 3/8" (10 mm) out of plumb. Verify the area the door will be attached to is within 3/8" (10 mm) of plumb. The door may not function properly if the wall is more than 3/8" (10 mm) out of plumb.

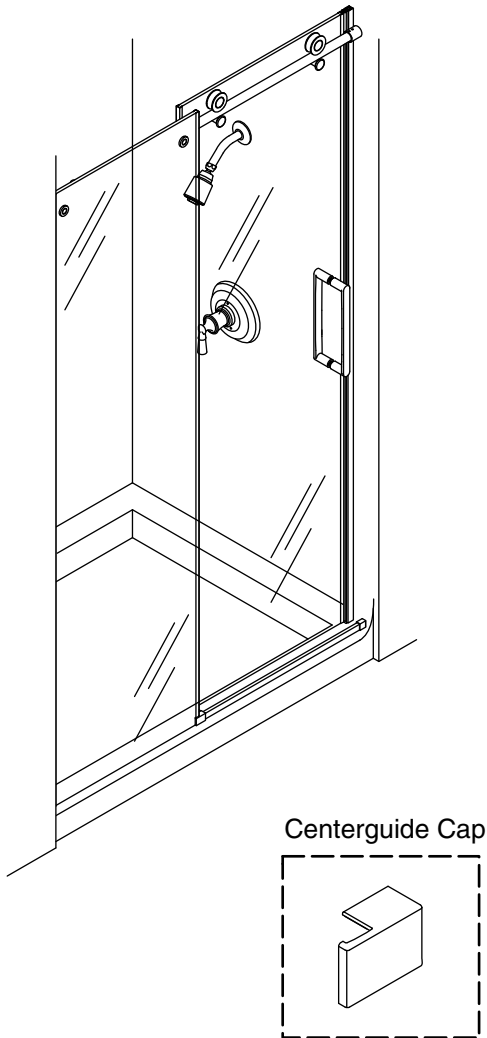
IMPORTANT! This door comes packed in two separate boxes. Make sure you have both boxes before beginning the installation.

- The sliding door panel should be installed on same end of the shower as the showerhead.
- Do not install this door on a cast iron shower base.
- Cover the drain with tape to avoid loss of small parts.
- Identify all parts prior to installation.
- Follow the silicone sealant manufacturer's instructions for application and curing time.
- Two people should perform this installation.

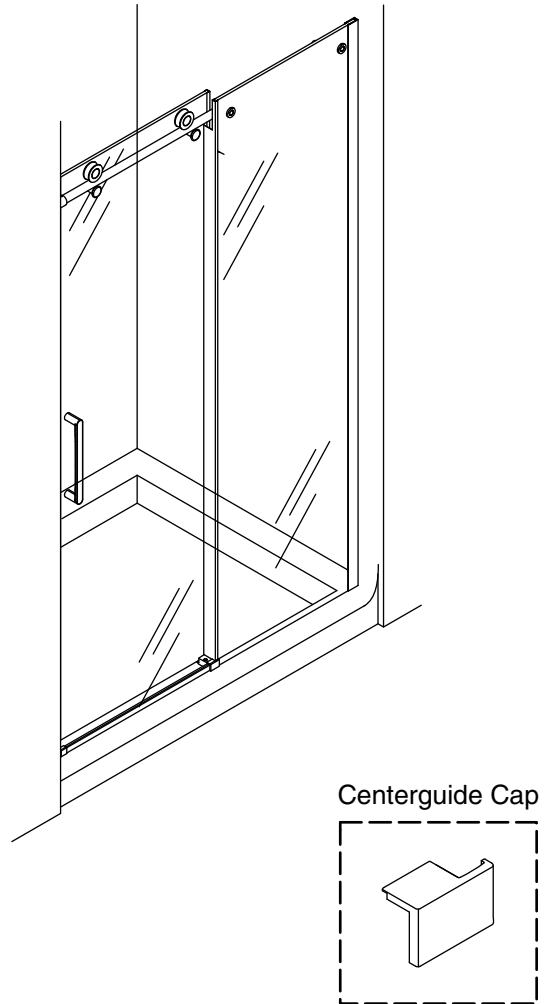


Parts Identification

Right-Open



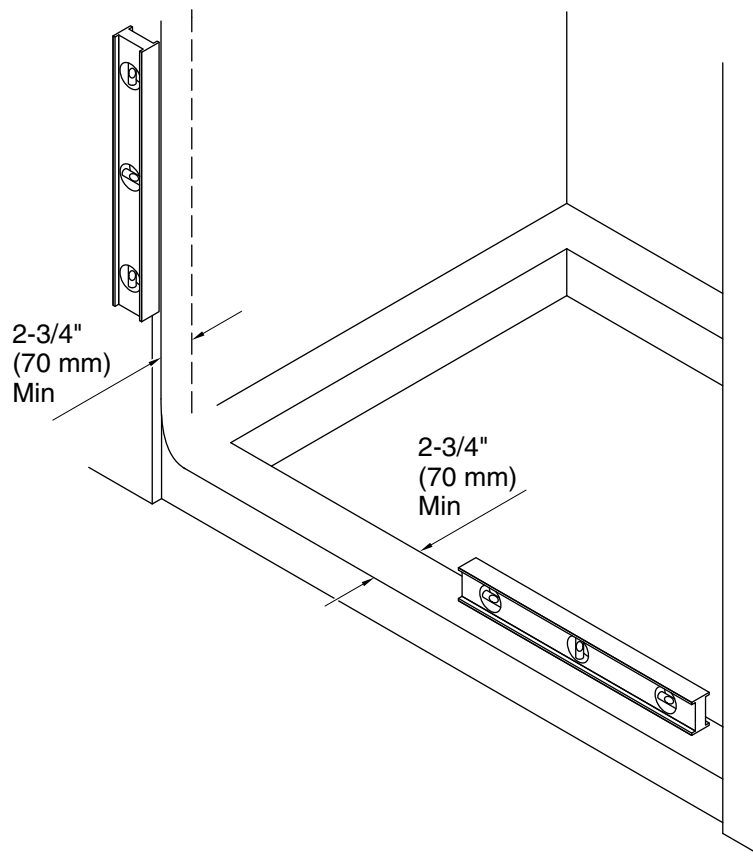
Left-Open



1. Determine the Door Configuration

IMPORTANT! Right-Open configuration is shown in installation steps unless otherwise indicated.

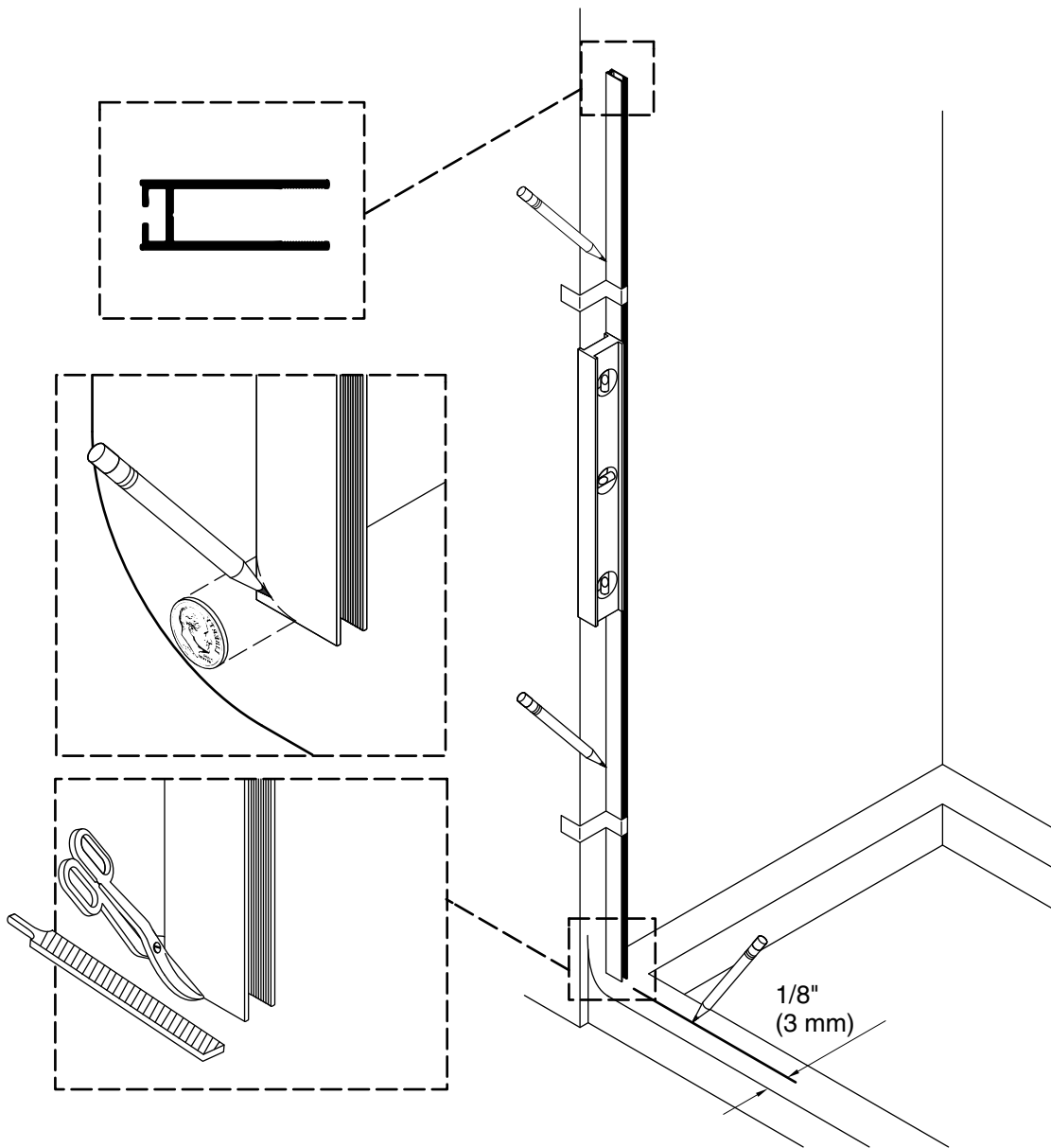
- Determine whether the door will be installed in a Right-Open or Left-Open configuration.
- It is recommended that the sliding panel be installed on the same side of the shower as the showerhead.
- Select the centerguide cap that corresponds to the door configuration.



2. Confirm Compatibility

IMPORTANT! For proper door alignment and operation, confirm that the shower base and walls meet the following requirements. **Do not install the door** if these requirements are not met.

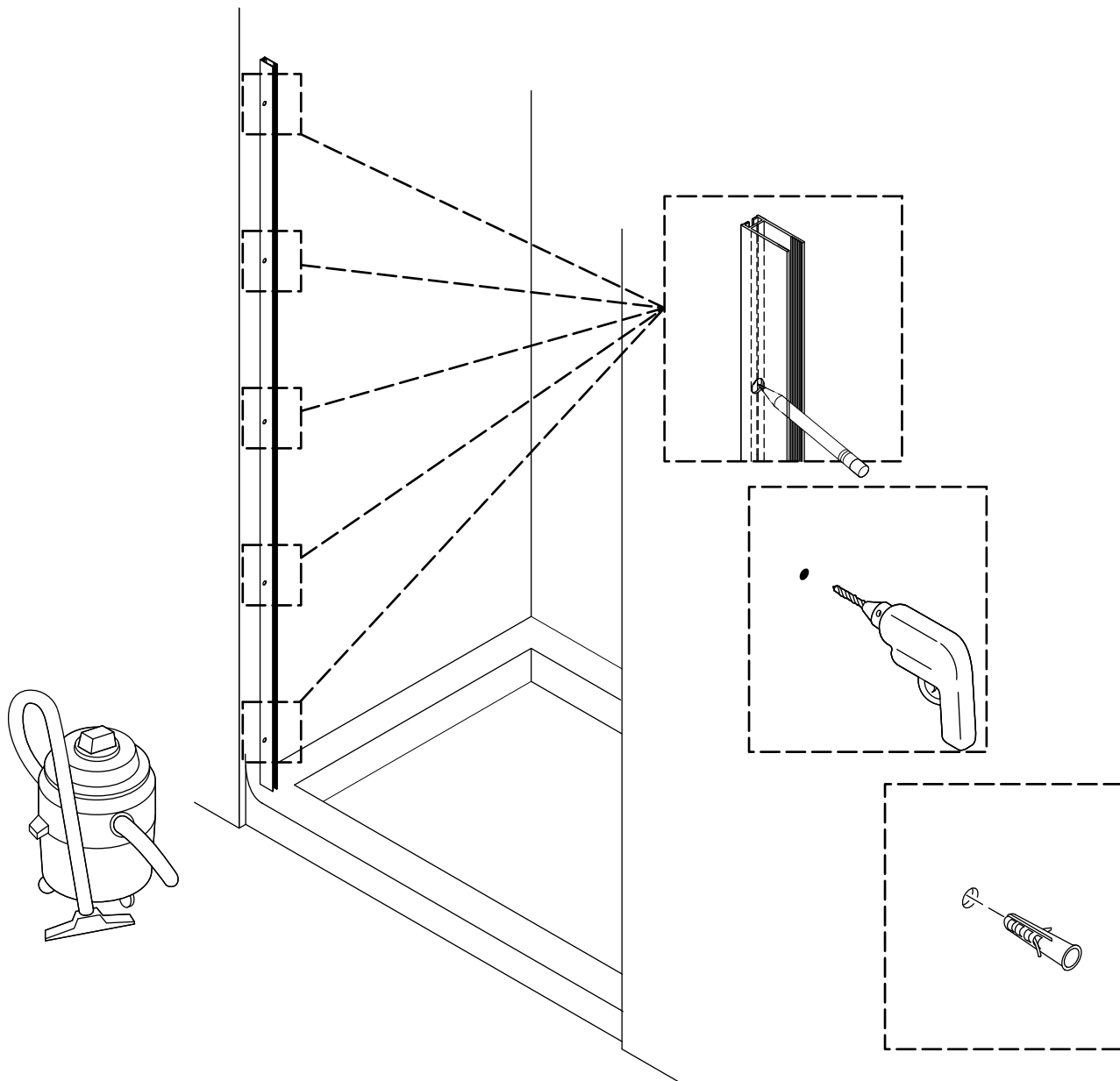
- The 706080-L door is designed to be installed into shower openings 44-5/8" (1133 mm) to 47-7/8" (1216 mm) wide.
- The 706081-L door is designed to be installed into shower openings 56-1/8" (1426 mm) to 59-7/8" (1521 mm) wide.
- There must be at least 2-3/4" (70 mm) of flat surface on the shower base and walls.
- Walls must be within 3/8" (10 mm) of plumb.
- The shower base must be level between the walls.
- Do not install this door on a cast iron shower base.



3. Prepare the Wall Jamb

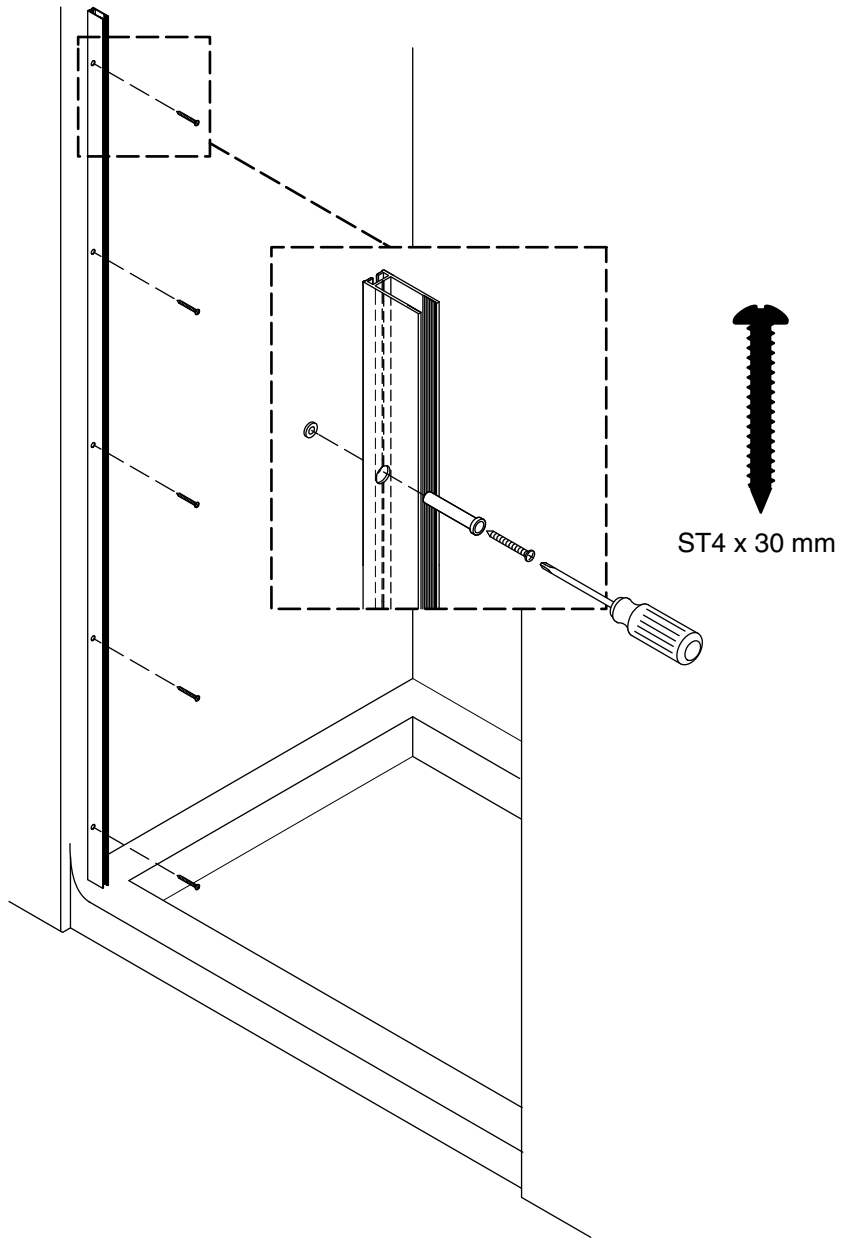
IMPORTANT! The wall jamb must fit tightly against the shower base and wall.

- Position the wall jamb against the wall so that it is 1/8" (3 mm) from the shower base radius as shown.
- If needed, shape and file the bottom corner to fit against the shower wall. Use a coin to match and transfer the corner radius.
- Plumb the wall jamb.
- Tape the wall jamb securely in place and mark its location.



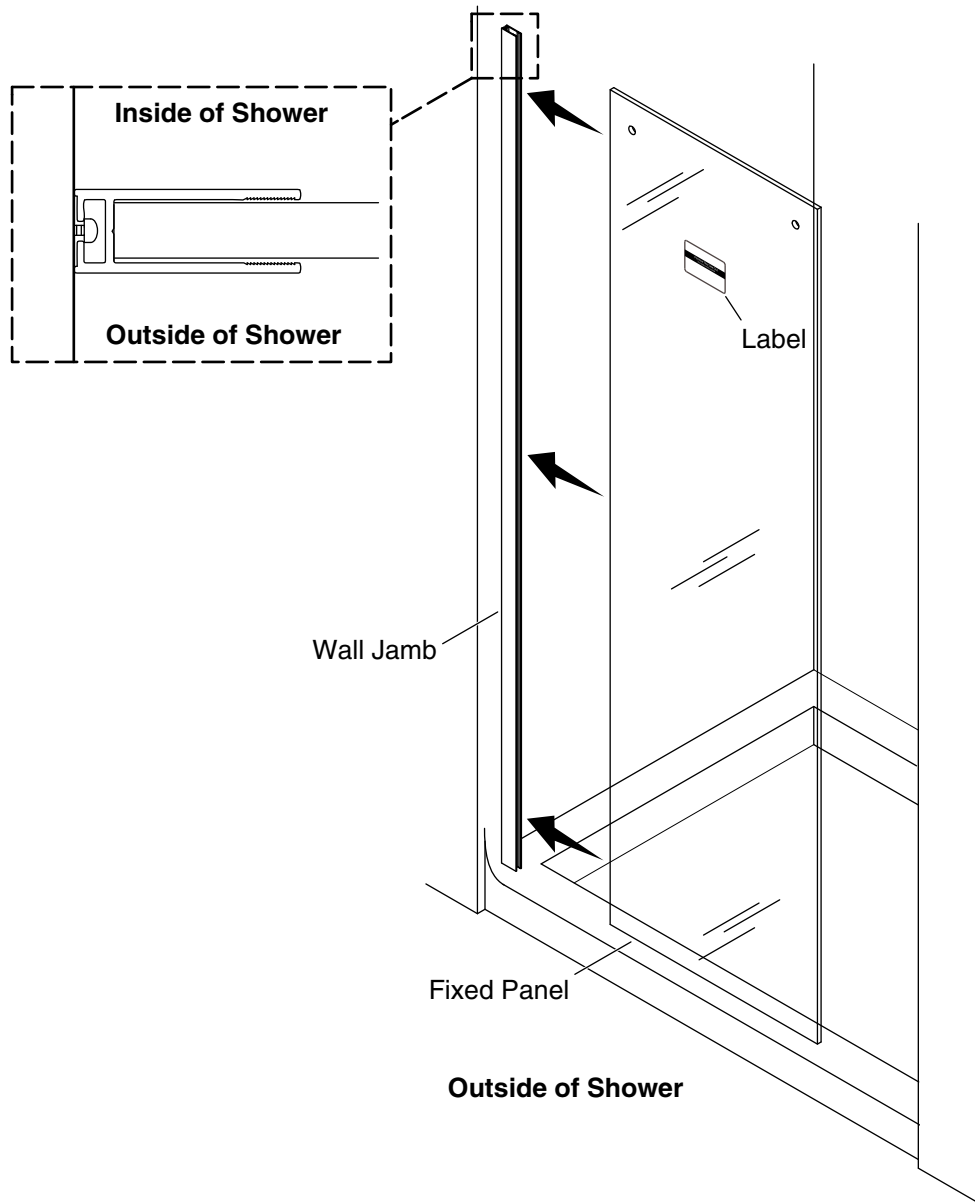
4. Mark the Wall Jamb Hole Locations

- Mark the five wall jamb anchor hole locations with a pencil.
- Remove the wall jamb and set aside.
- Drill a 1/4" hole at each marked location. Use a masonry bit for tile walls.
- Install the provided wall anchors. If necessary, gently tap the anchors until they are flush against the wall.
- Thoroughly clean the shower base and walls.



5. Install the Wall Jamb

- Replace the wall jamb and align with the anchor holes.
- Use the screw guide to align and start each screw.
- Secure the wall jamb with five of the provided ST4 x 30 mm screws.



6. Install the Fixed Panel



WARNING: The fixed panel is not secure in the wall jamb until the wedge seal and the header are installed. Use care until the installation is complete.

IMPORTANT! Perform the following steps with an assistant.

IMPORTANT! The label on the fixed panel must face the outside of the shower.

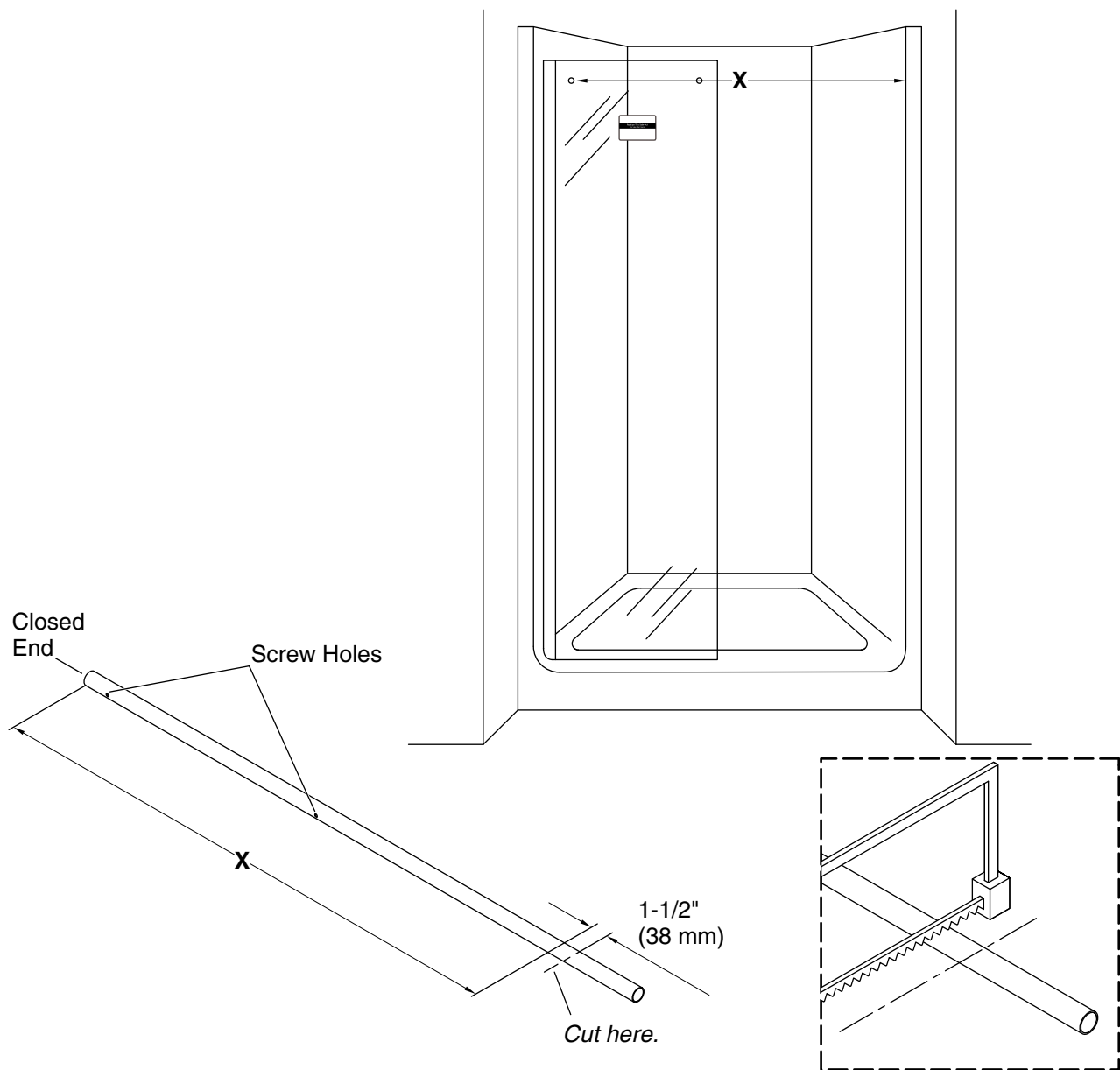
NOTE: The fixed panel can be identified by having **only** two holes at the top.

NOTE: Ensure that the clear plastic seal is present on the bottom edge of the fixed panel to prevent damage to the shower base.

- Remove the triangular plastic protectors from the corners of the fixed panel.
- With an assistant, move the fixed panel into position with the label facing the outside of the shower and the holes at the top.

Install the Fixed Panel (cont.)

- Install the fixed panel completely into the wall jamb. The fixed panel will not be secure until the wedge seal and the header are installed. Use care until the installation is complete.
- Ensure that the fixed panel is an even distance from the shower base radius.

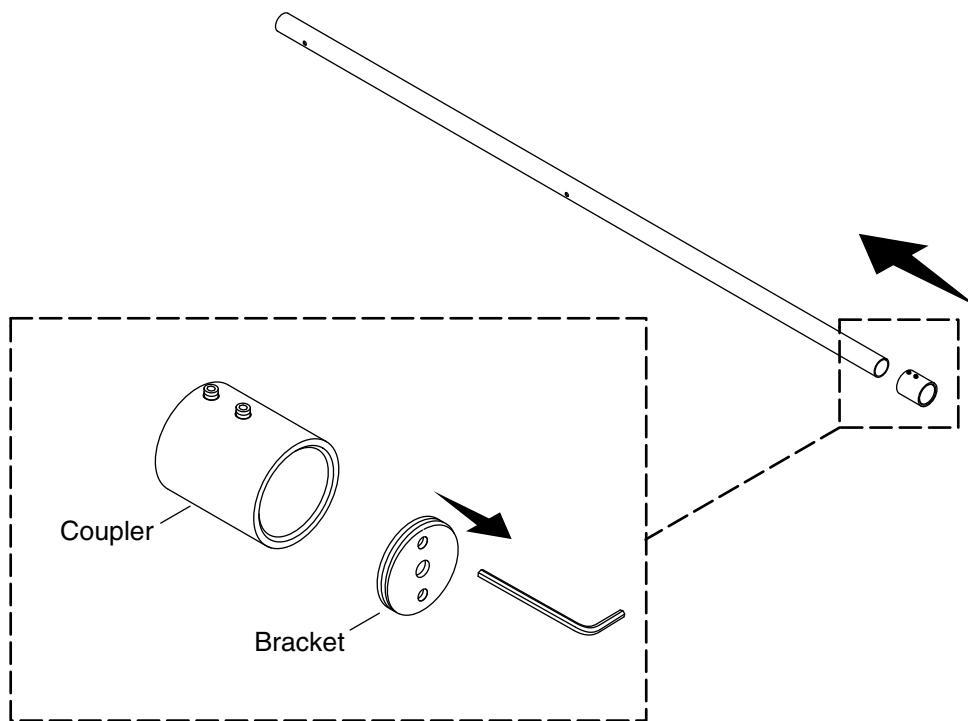


7. Measure and Cut the Header

IMPORTANT! Confirm your measurements before cutting. **Do not cut the header too short.**

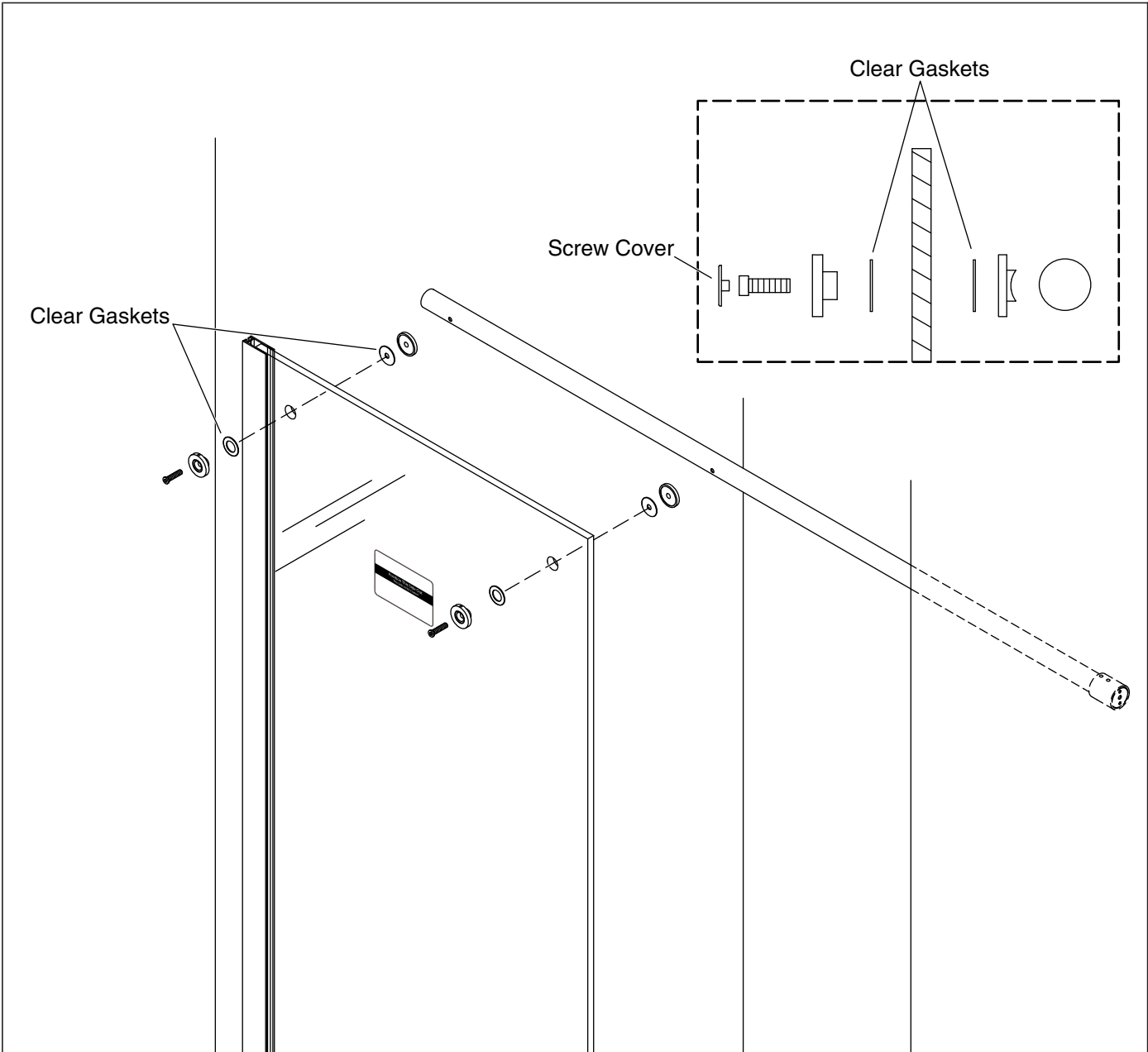
NOTICE: A metal-cutting chop saw or cut-off saw is recommended to cut the header. If unavailable, a hack saw and miter box will suffice.

- Locate the fixed panel hole closest to the wall. Measure "X" from this hole to the opposite wall as shown.
- Measure "X" from the **closed end** of the header (closest to the screw holes). Make a mark at "X" on the header.
- Measure an additional 1-1/2" (38 mm) from "X" as shown and make a second mark on the header. If the second mark lands past the end of the header, the header does not need to be cut.
- Cut the header at the second mark. File any rough edges.



8. Assemble the Header

- Unscrew the bracket from the coupler and set aside.
- Slide the coupler onto the header. Tighten the setscrews to hold the coupler in place.

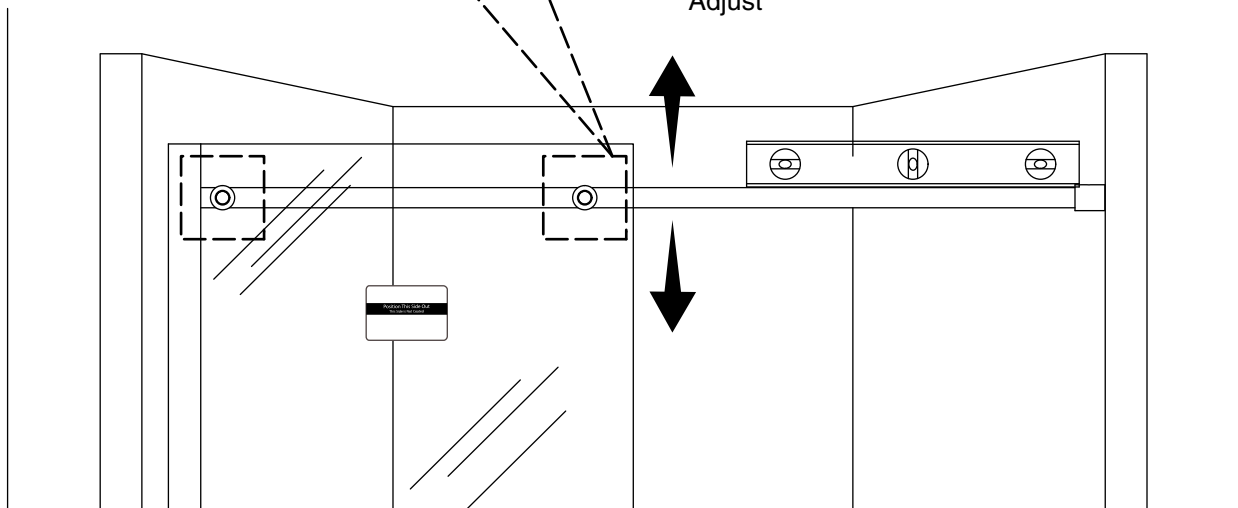
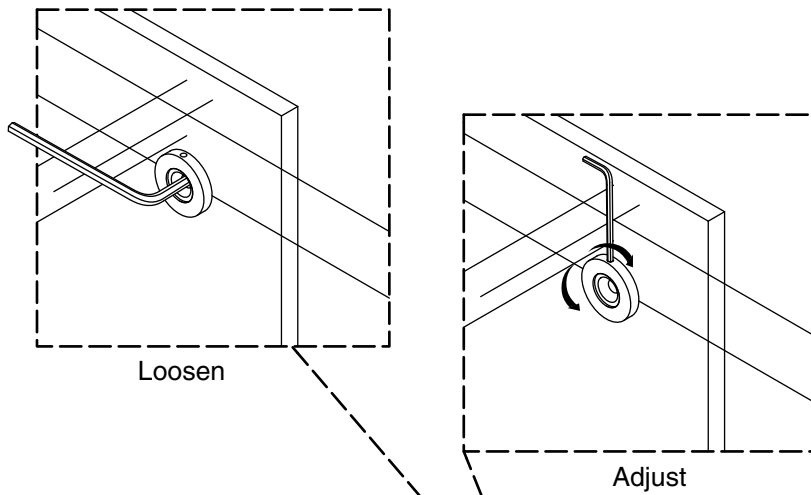


9. Install the Header

IMPORTANT! The header installs to the fixed panel on the inside of the shower.

NOTE: Remove the screw covers from the header mounts and set aside.

- Assemble the header mounts to the fixed panel as shown.
- Ensure the clear gaskets are in place on both sides of the header mounts. They may be difficult to see.
- From the outside of the shower, push a hex head bolt through each mount and thread into the screw holes in the header. **Do not overtighten!**
- Ensure that the header is fully seated in the curved surfaces of the header mounts.

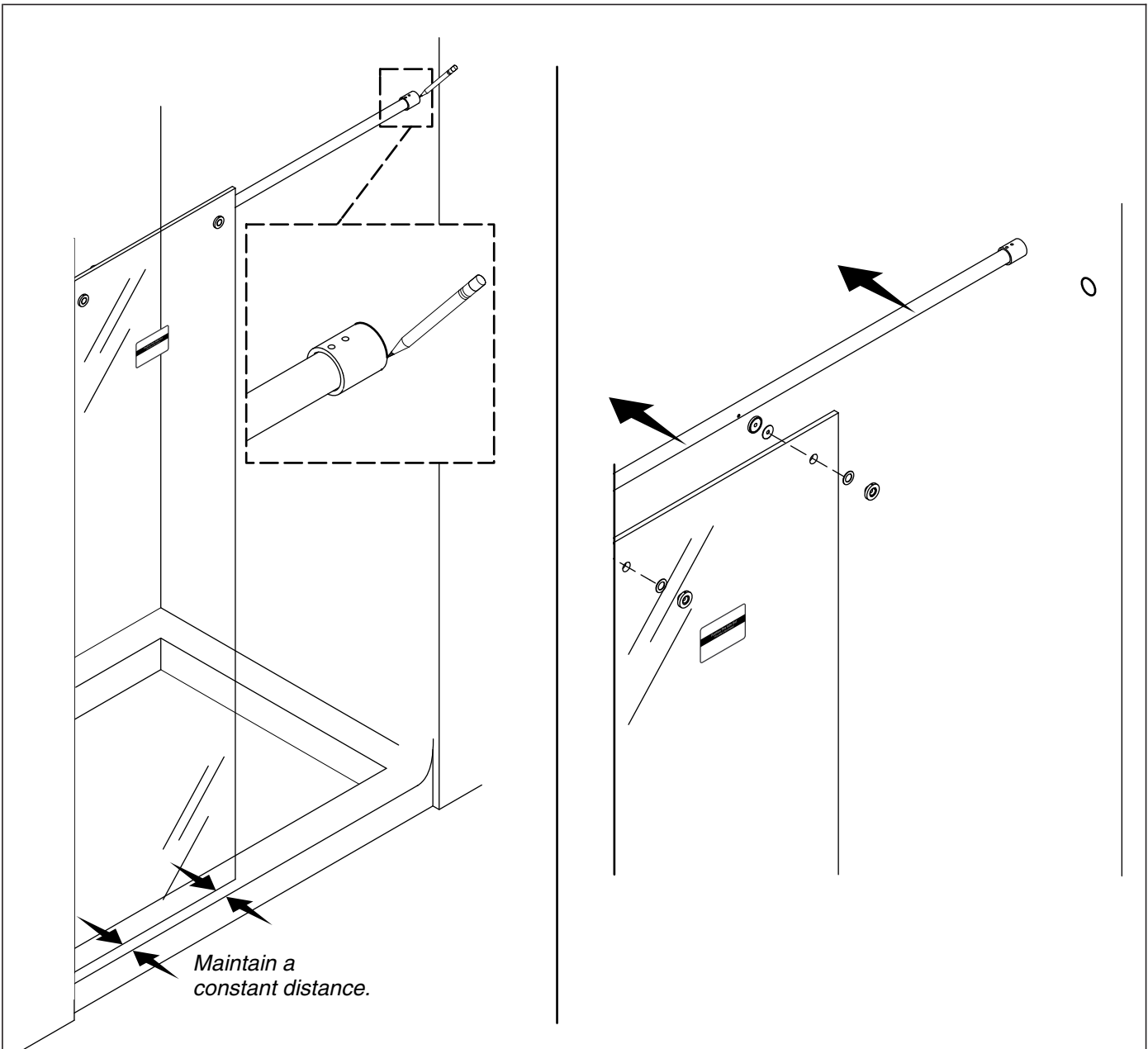


10. Level the Header

IMPORTANT! The header must be level before proceeding.

IMPORTANT! Verify that the fixed panel sits flat on the shower ledge.

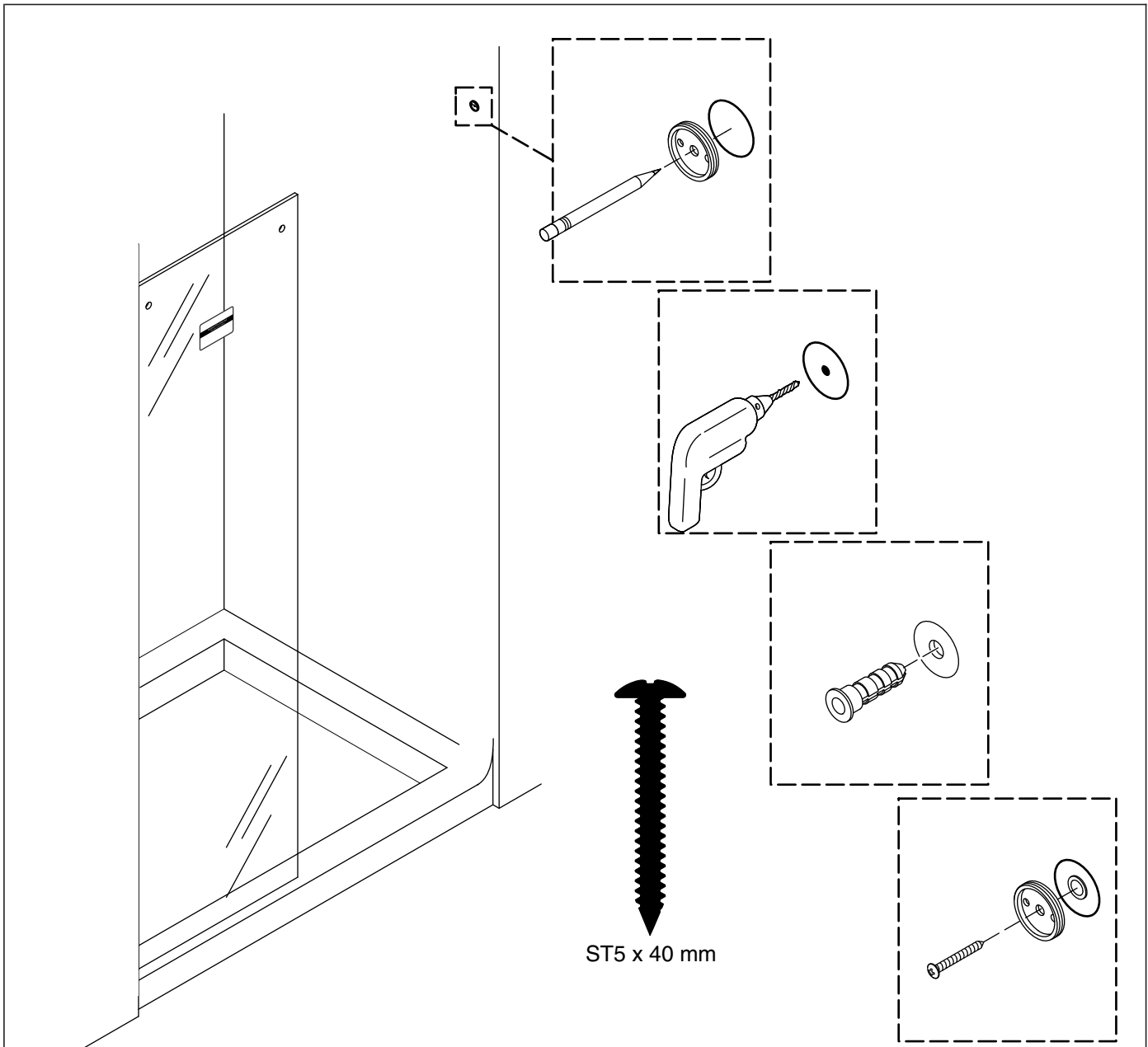
- If the header requires leveling, slightly loosen the header mount screws.
- To adjust the header, place a hex wrench in the small hole in the header mount. Turn the header mounts to level the header.
- When the header is level, tighten the header mount screws.



11. Mark the Header Mount

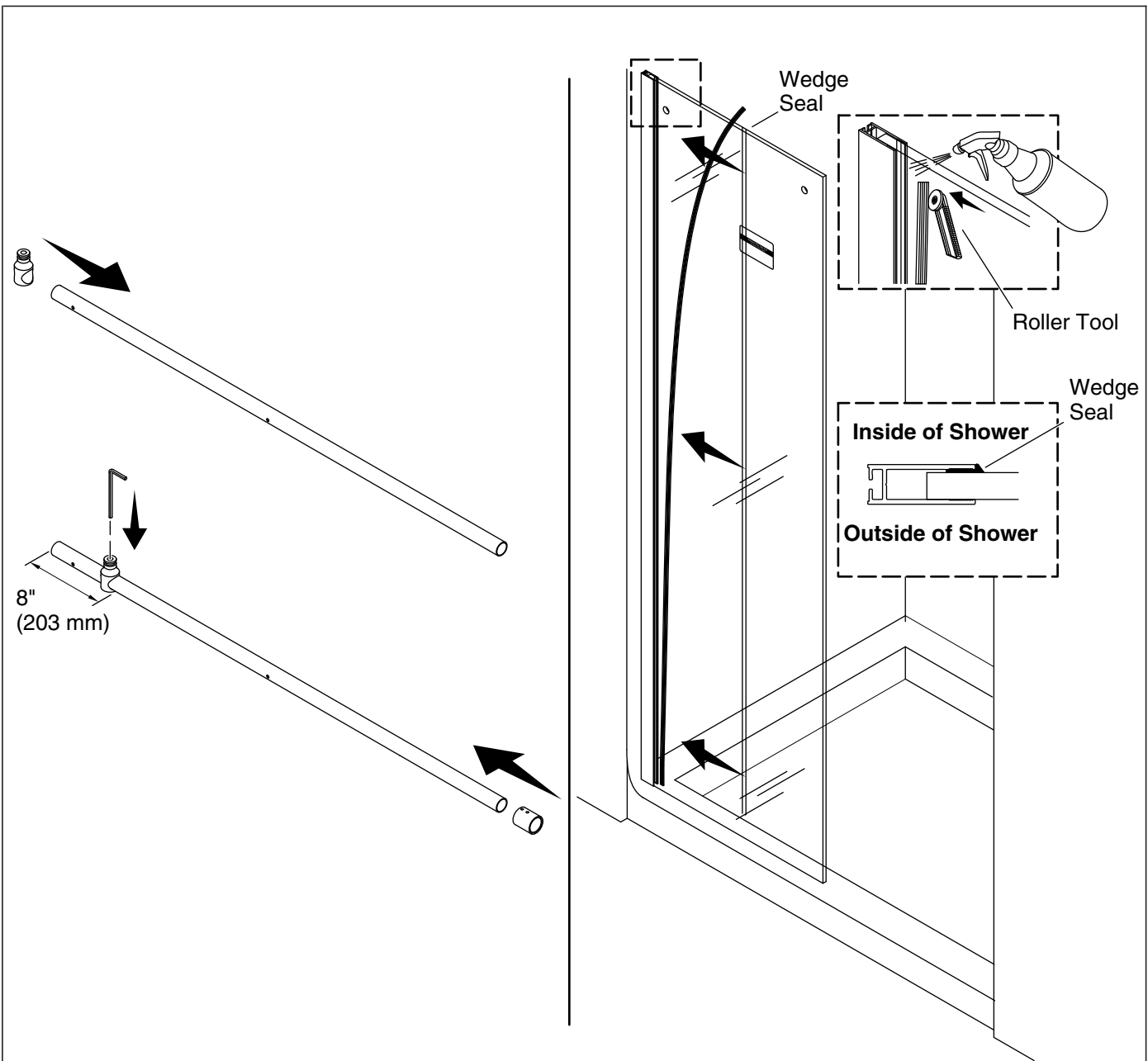
NOTICE: The header must be level and securely fastened to the fixed panel. If necessary, go back to the "Level the Header" section.

- Ensure that the fixed panel is a constant distance from the shower base radius.
- Slide the coupler to the wall and mark its location.
- Remove the header from the fixed panel.



12. Install the Header Bracket

- Align the header bracket with the mark on the wall. For better accuracy, the header bracket may be temporarily reinstalled in the coupler.
- Mark the header bracket center hole location on the wall.
- Drill a 5/16" hole at the header bracket center mark.
- Install the provided large wall anchor. Make sure that the anchor is fully seated against the wall.
- Install the bracket with the provided ST5 x 40 mm screw.
- Thoroughly clean the shower base and wall.



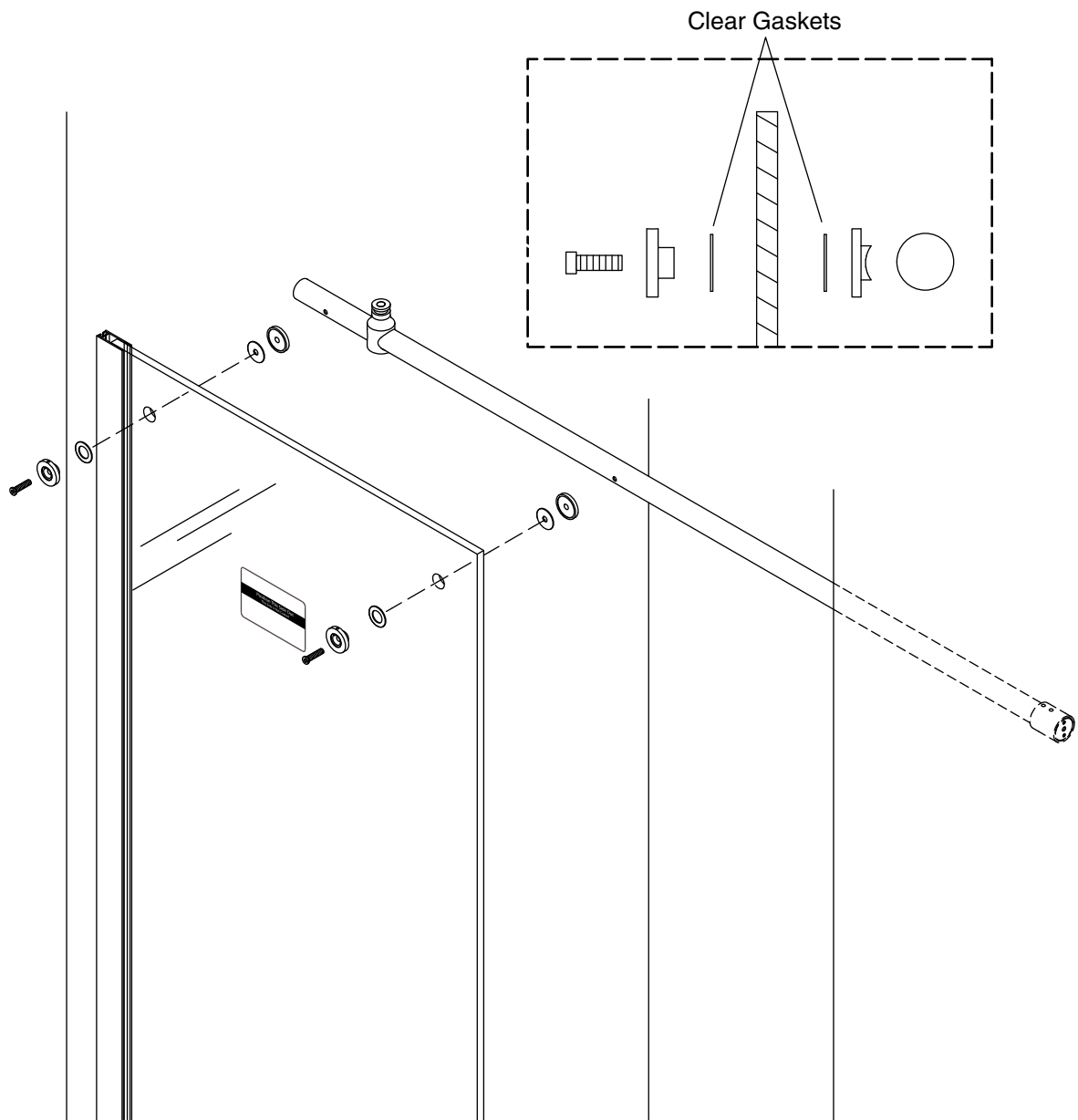
13. Install the Wedge Seal and Assemble Header

NOTICE: Risk of product damage. Do not use sharp objects to push the wedge seal into place.

- Slide the door bumper onto the header. Locate the bumper about 8" (203 mm) from the closed end, between the two threaded holes. Tighten the setscrew securely.
- Ensure that the coupler is on the header, with the setscrews away from the wall.
- Starting at the bottom, use the supplied roller tool to push the wedge seal completely between the wall jamb and the fixed panel as shown.

NOTE: Water can be used to help insert the seal fully into the wall jamb.

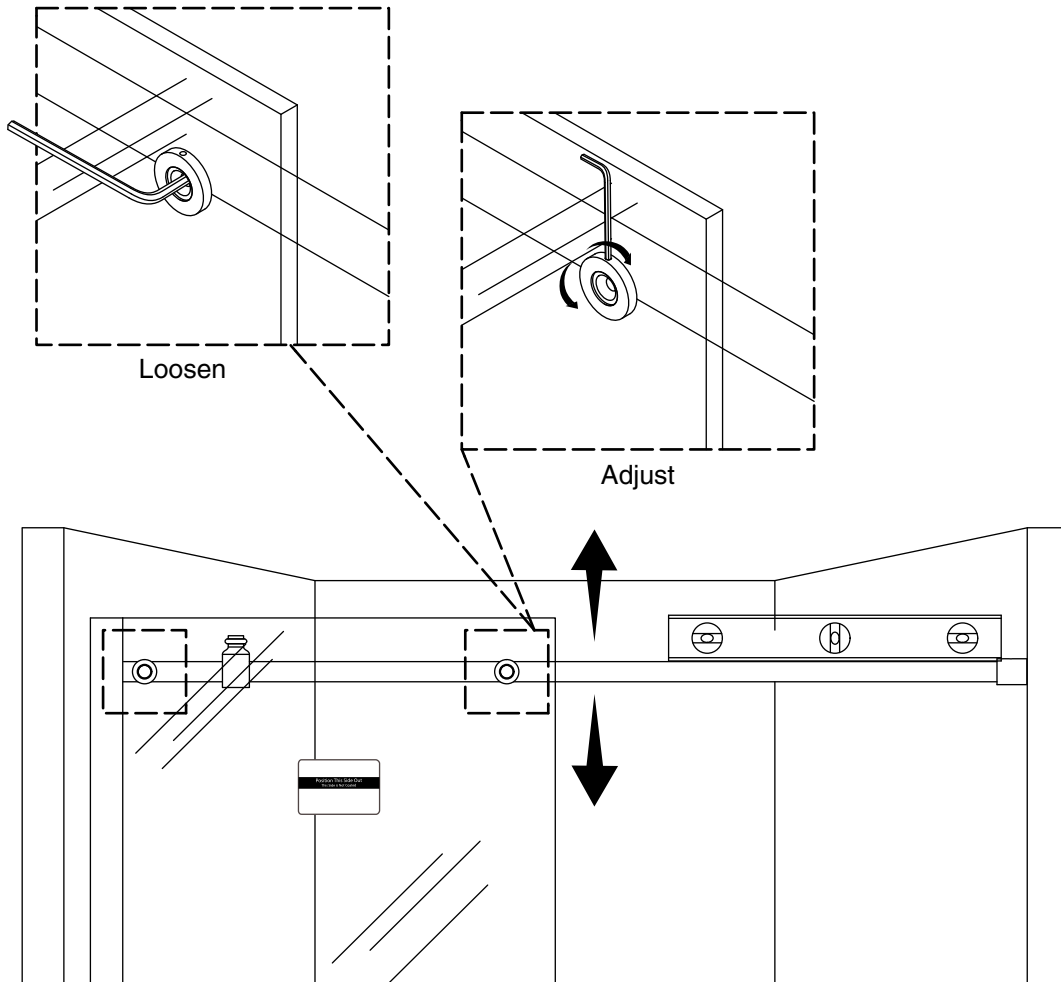
- Trim any excess length of the wedge seal.



14. Install the Header

NOTICE: The header installs to the fixed panel on the inside of the shower.

- Assemble the header mounts to the fixed panel as shown.
- Ensure that the clear gaskets are in place on both sides of the header mounts.
- From the outside of the shower, push a hex head bolt through each mount and thread into the screw holes in the header. **Do not overtighten!**

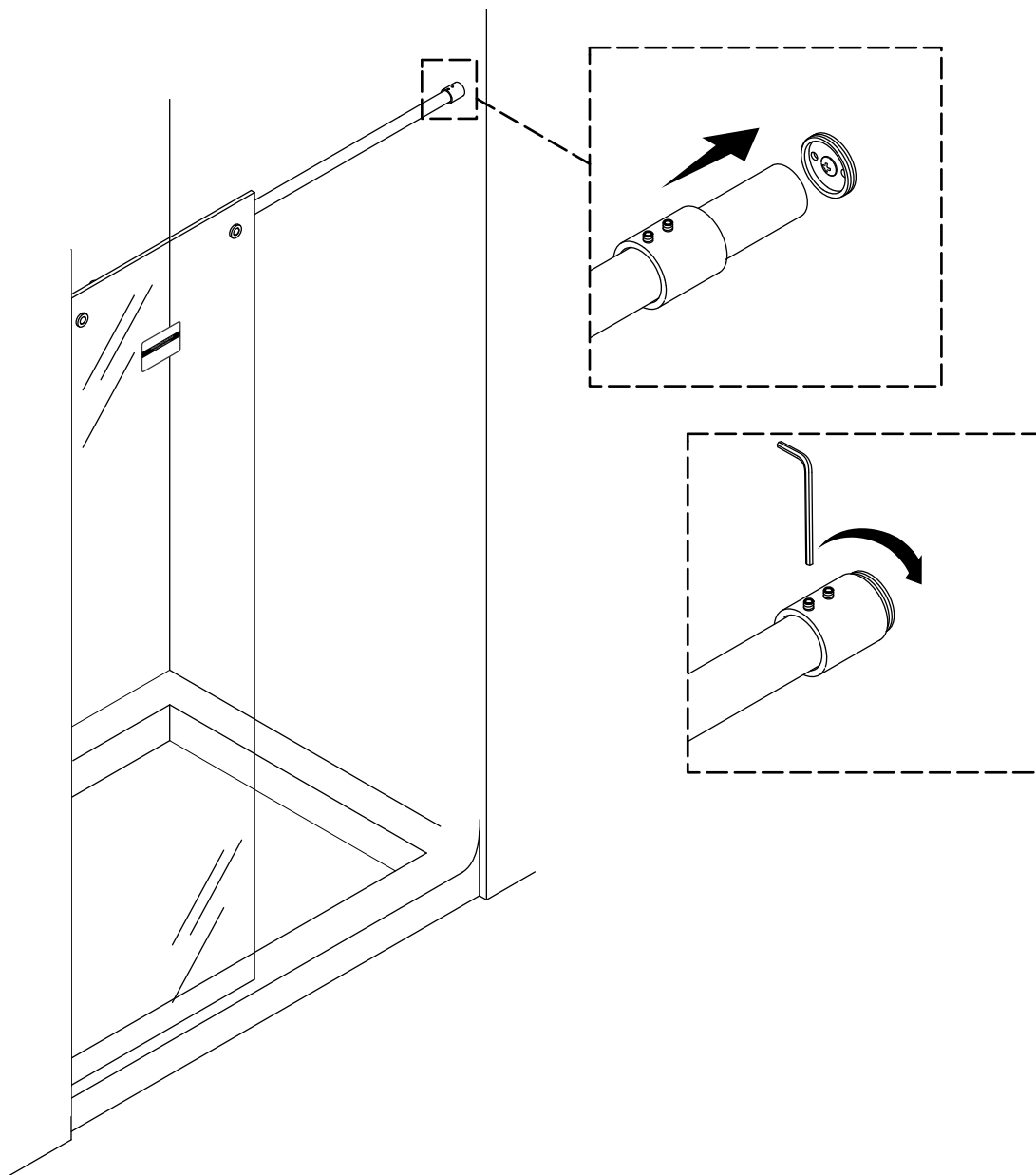


15. Relevel the Header

IMPORTANT! The header must be level before proceeding.

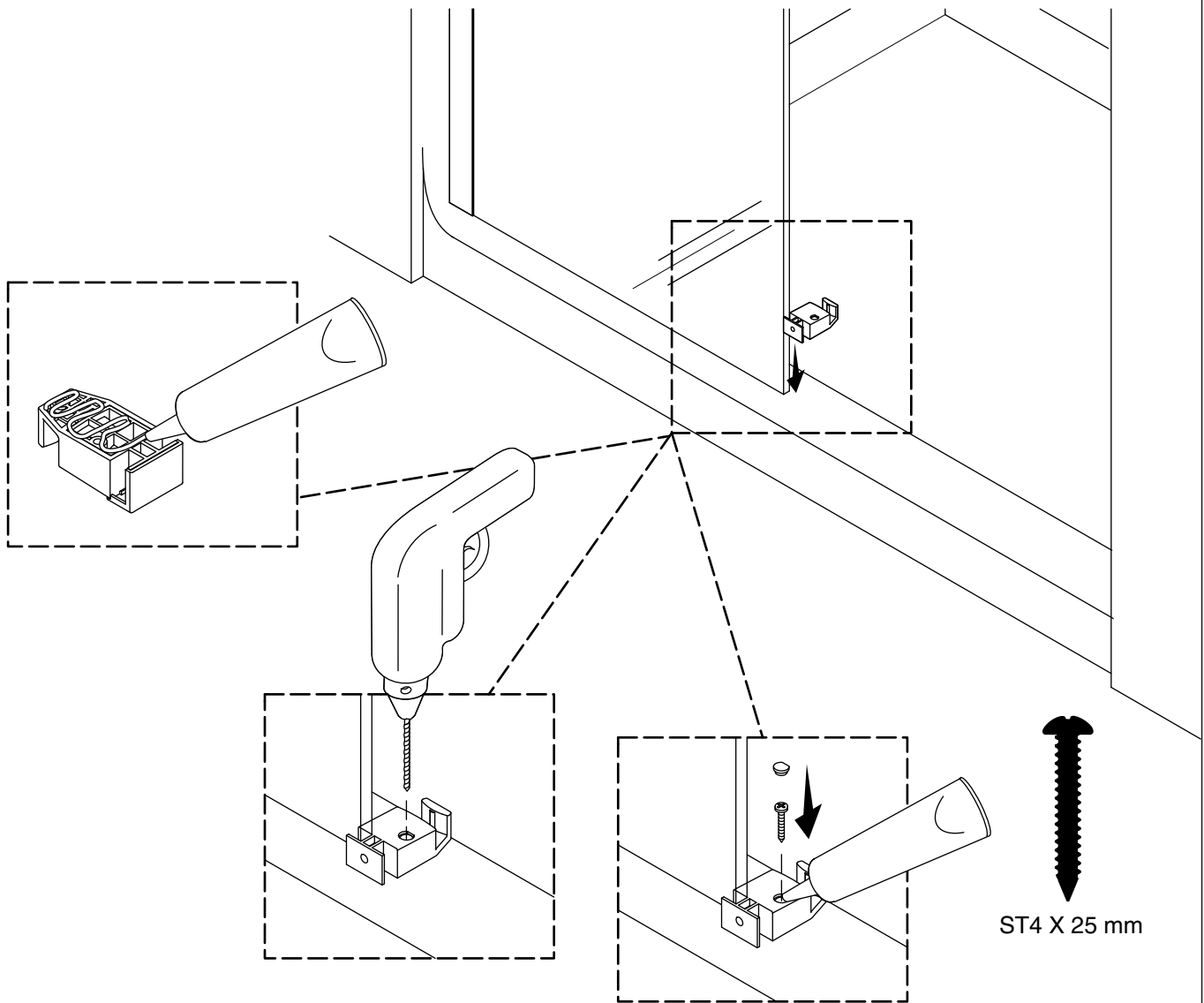
IMPORTANT! Verify that the fixed panel sits flat on the shower ledge.

- Adjust the header by loosening the header mount screws and turning both header mounts with a hex wrench.
- When the header is level, tighten the header mount screws.



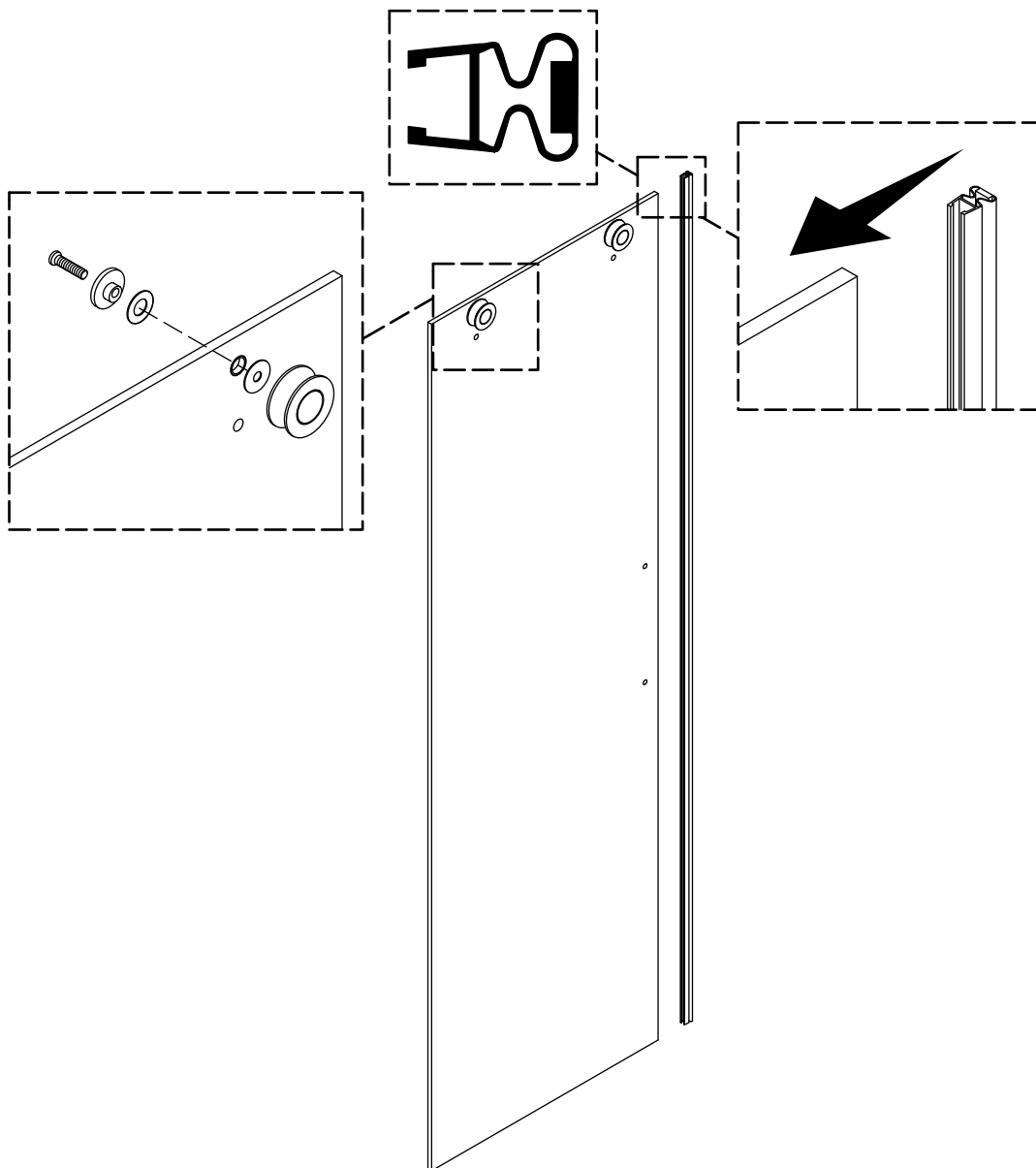
16. Secure the Header

- Slide the coupler to the wall and thread onto the header mount bracket.
- Orient the coupler so that the setscrews are not visible. Tighten the setscrews.
- Check that the header is level. Small adjustments may be made according to the "Level the Header" step.



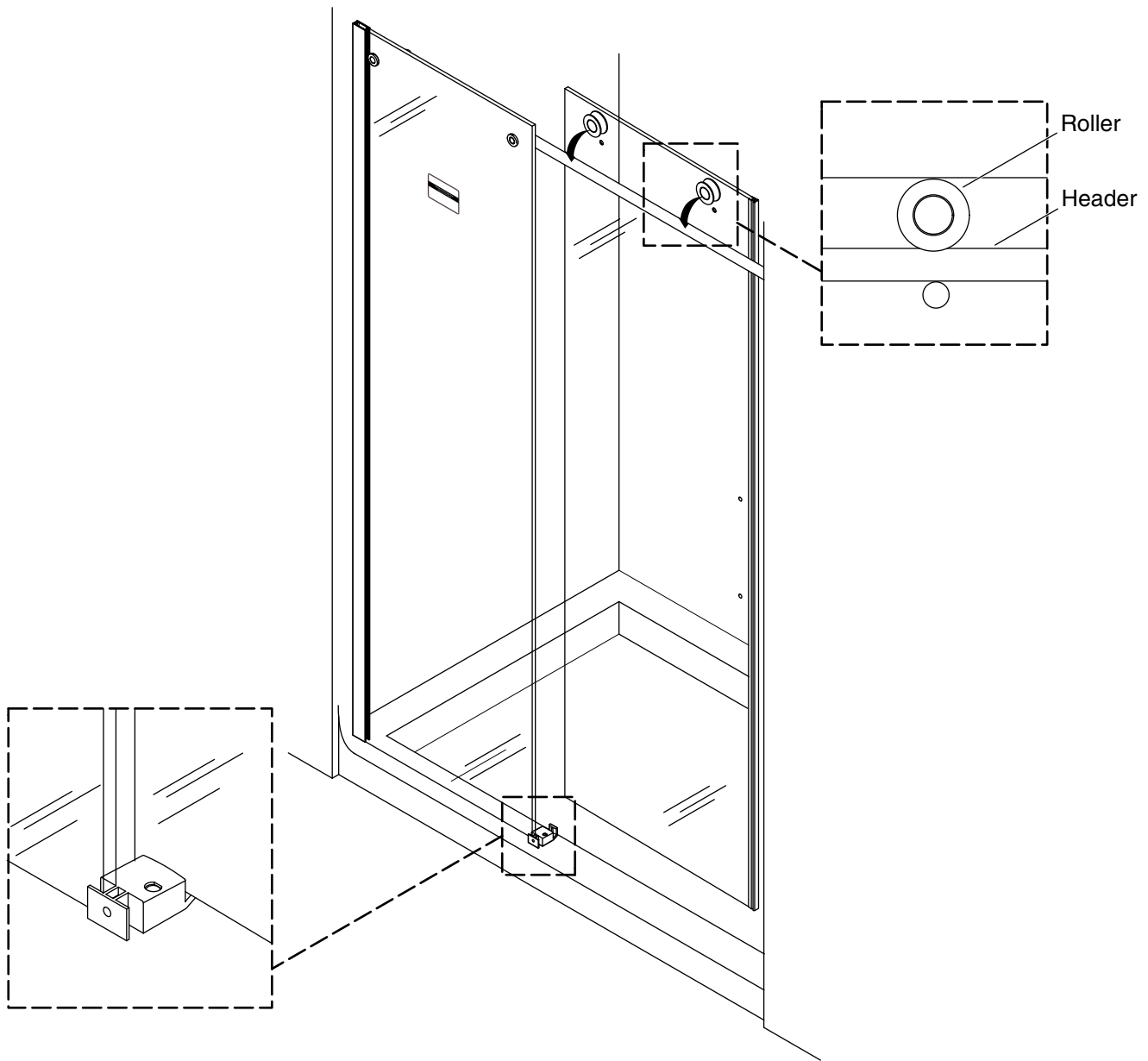
17. Install the Centerguide

- Apply 100% silicone sealant to the bottom of the centerguide.
- Locate the centerguide on the shower base so that the fixed panel is completely seated in the pocket.
- Using the hole in the centerguide as a guide, drill a 1/8" hole.
- Apply 100% silicone sealant to the centerguide hole.
- Apply 100% silicone sealant to the provided ST4 x 25 mm screw and secure the centerguide.
- Snap a cap over the screw hole.



18. Assemble the Sliding Panel

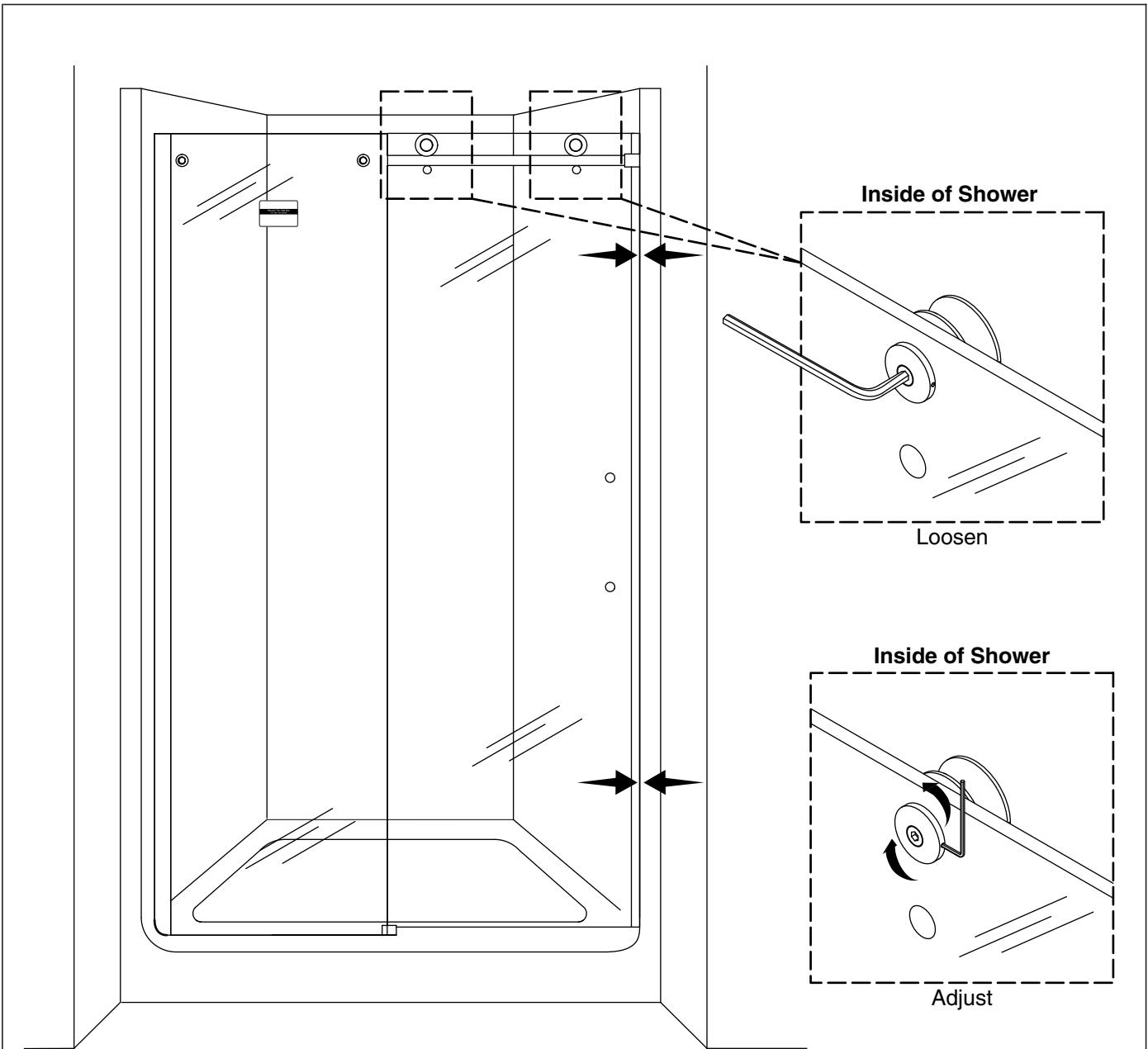
- Install a roller into each of the top holes in the sliding panel. The rollers must be positioned on the outside of the sliding panel.
- Secure each roller with a hex wrench.
- Push the magnetic seal A onto the edge of the sliding panel nearest the holes. The magnetic seal A should be flush with the top of the sliding panel.



19. Install the Door Panel

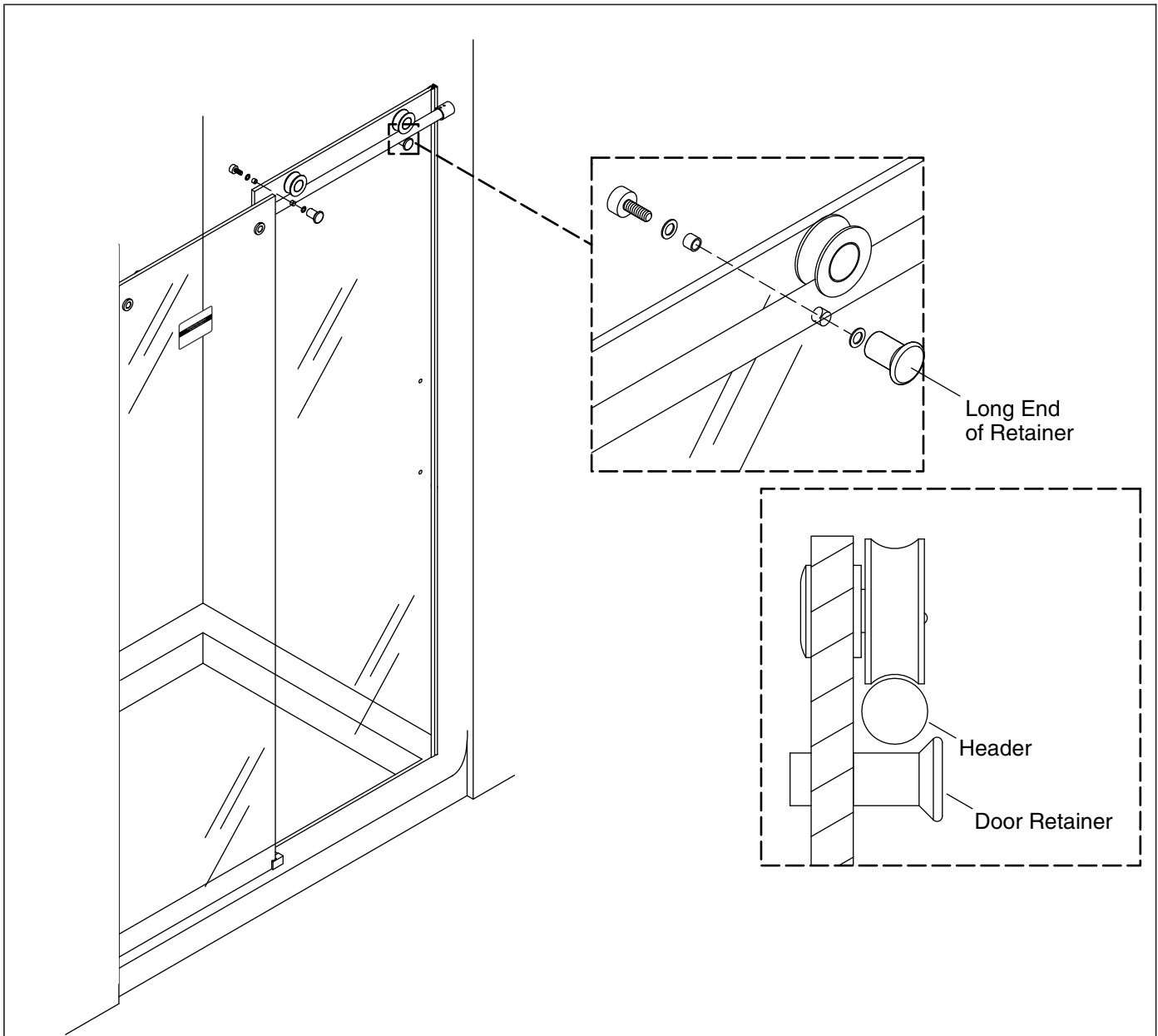
IMPORTANT! Have an assistant help lift and install the door.

- Move the door panel to the inside of the shower.
- From inside the shower, lift the door panel and set the bottom edge into the rear channel of the centerguide.
- Set both rollers on top of the header.



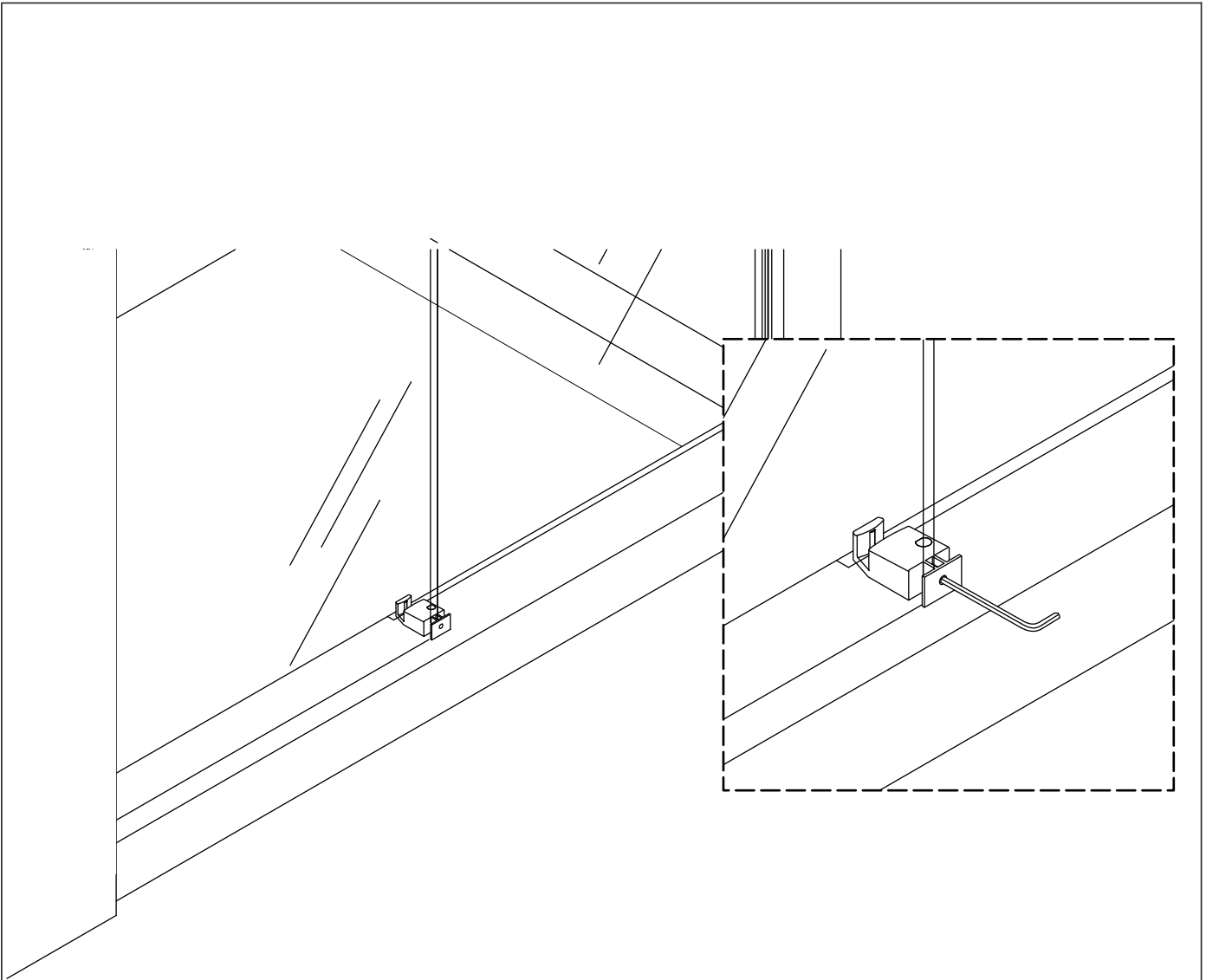
20. Adjust the Sliding Panel

- When closed, the sliding panel must be flush with the wall. If there is a gap between the wall and the sliding panel anywhere along its length, adjust the sliding panel.
- From inside the shower, loosen the roller mount screws.
- Insert a hex wrench into the roller mount adjustment hole and turn to adjust.
- Do not allow the sliding panel to contact the shower base.
- When the door closes flush with the wall at the top and bottom, **securely** tighten the roller mount screws.



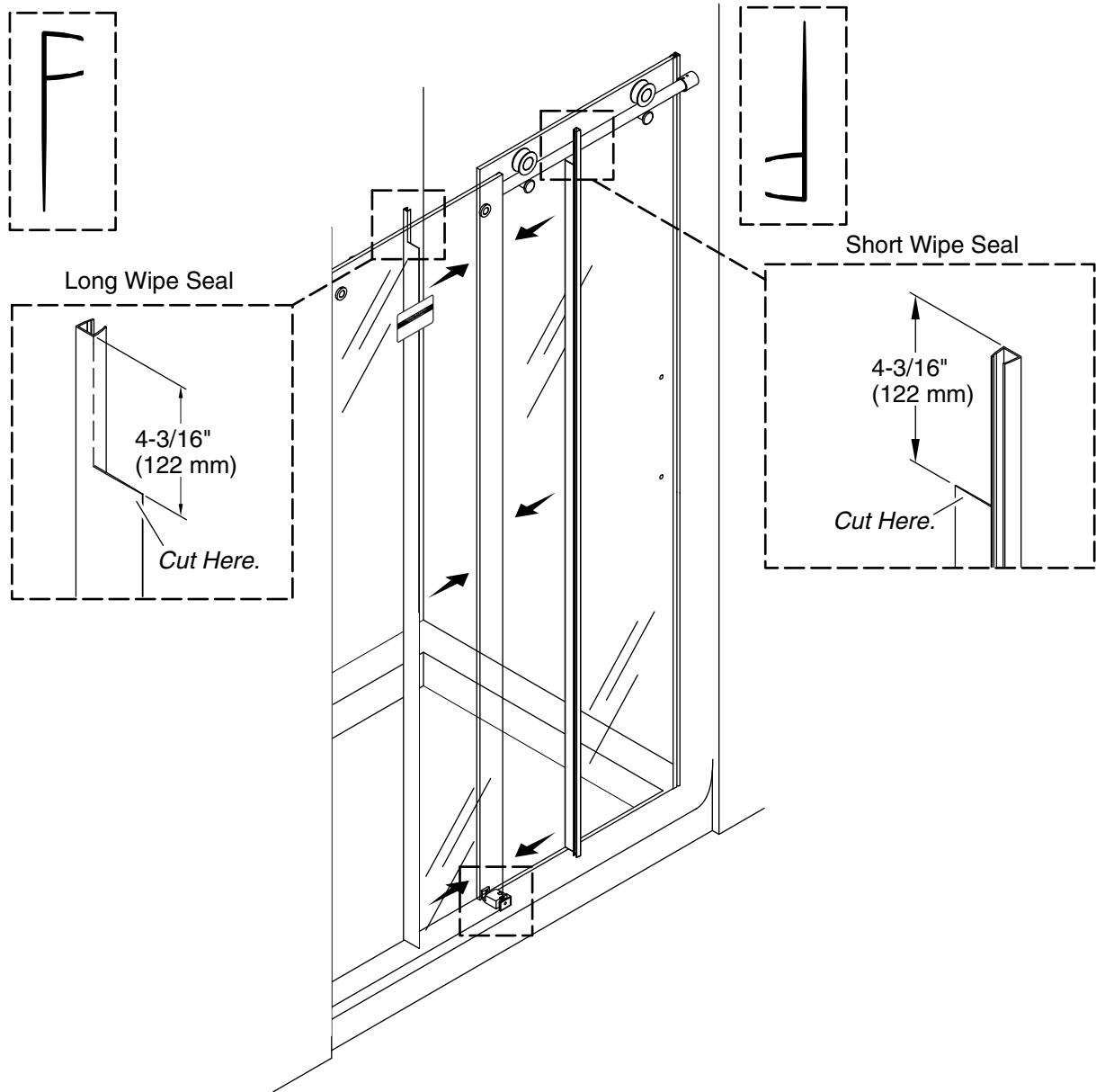
21. Install the Door Retainers

- Install the door retainers to the holes in the sliding panel below the rollers as shown. The long end of the retainer faces the outside of the shower.
- The door retainers are adjustable by rotating the retainer.
- Rotate the retainer to the desired position and hold while the screw is tightened.
- The retainer should be as close as possible to the header without touching, rubbing, or scraping.



22. Finish Centerguide Installation

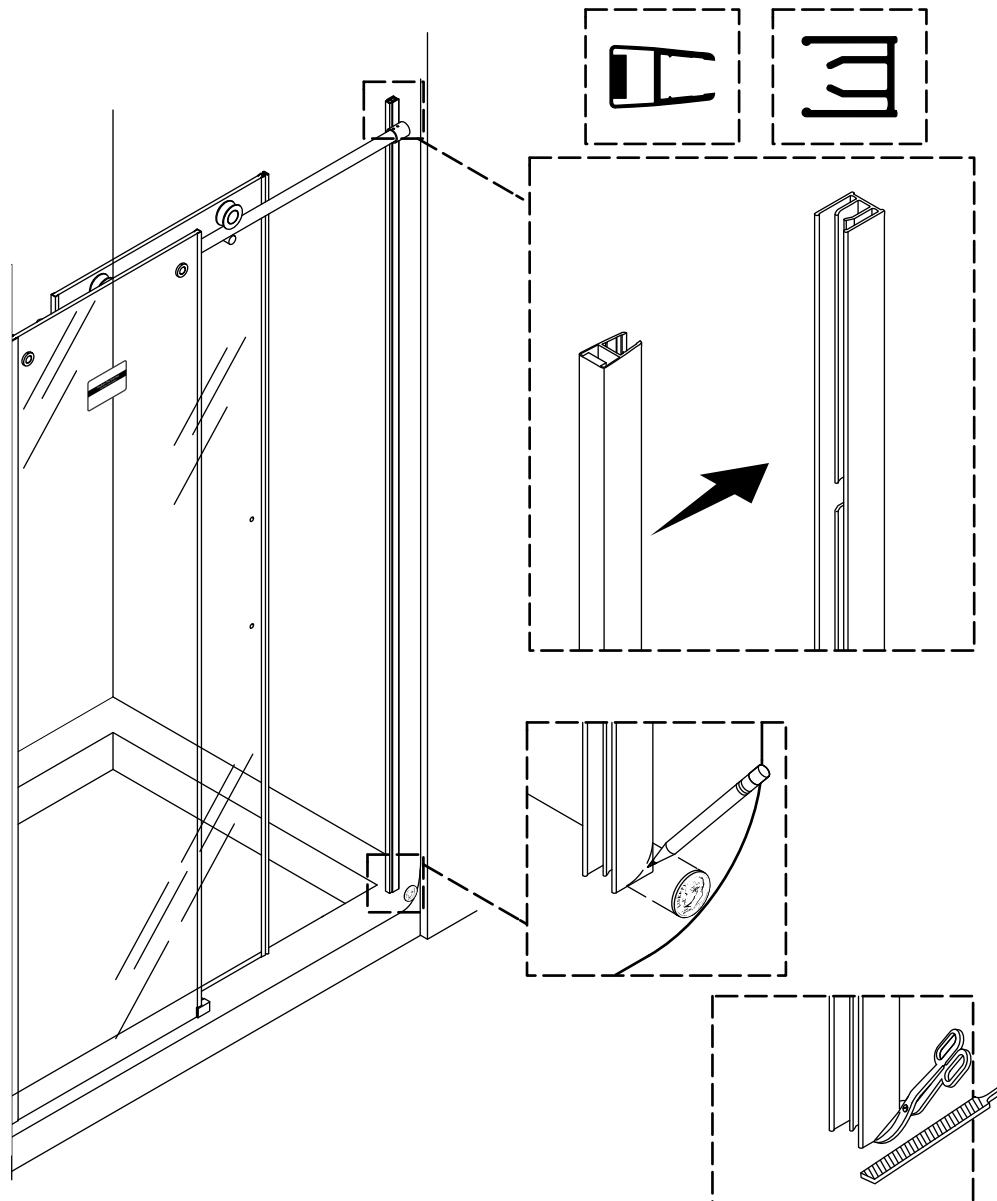
- Tighten the setscrew on the front of the centerguide so that the door slides easily.



23. Install the Door Wipe Seals

NOTE: There are two wipe seals of slightly different lengths. The long wipe seal is attached to the sliding panel. The short wipe seal is attached to the fixed panel.

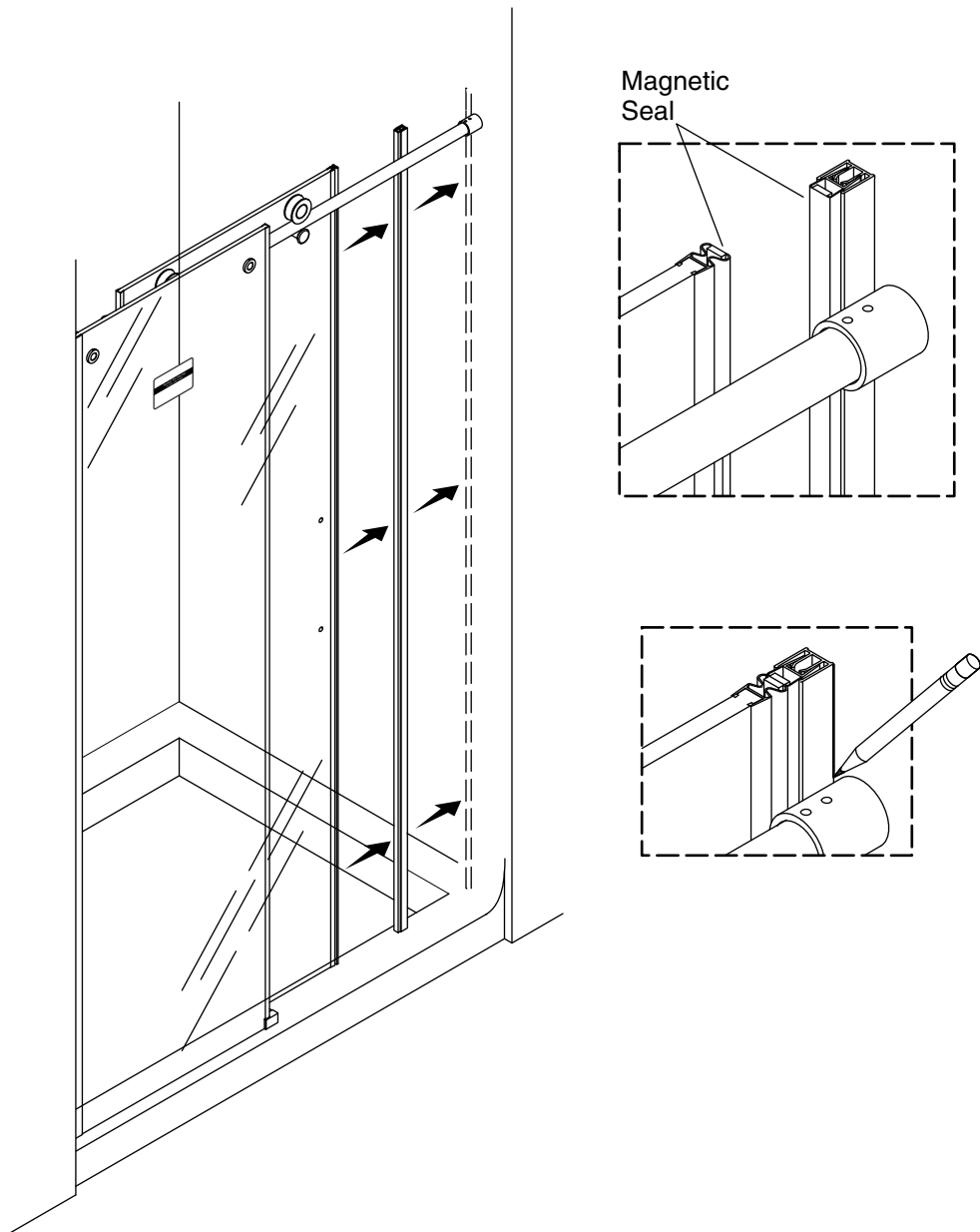
- Trim a 4-3/16" (122 mm) notch into the top of the long wipe seal as shown.
- Press the long wipe seal onto the edge of the sliding panel.
- Trim a 4-3/16" (122 mm) notch into the top of the short wipe seal as shown.
- Starting at the centerguide, press the short wipe seal onto the edge of the fixed panel as shown.



24. Prepare the Strike Jamb

IMPORTANT! The strike jamb must fit tightly against the shower base and the wall.

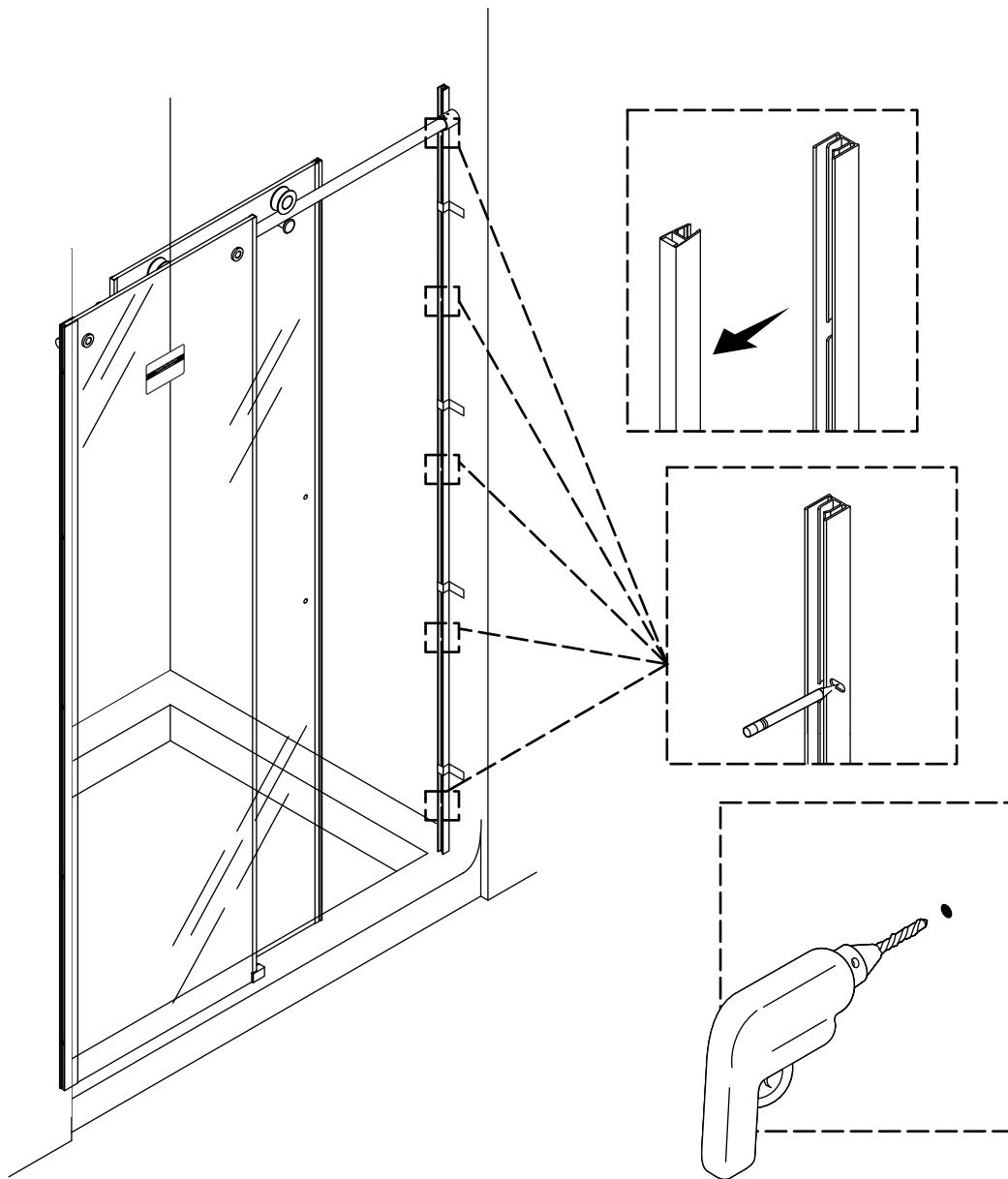
- Position the strike jamb against the wall so that it is inside the header as shown.
- Remove the strike jamb. If needed, shape and file the bottom corner to fit against the shower wall. Use a coin to match and transfer the corner radius.
- Push the magnetic seal B into the strike jamb.



25. Mark the Strike Jamb Location

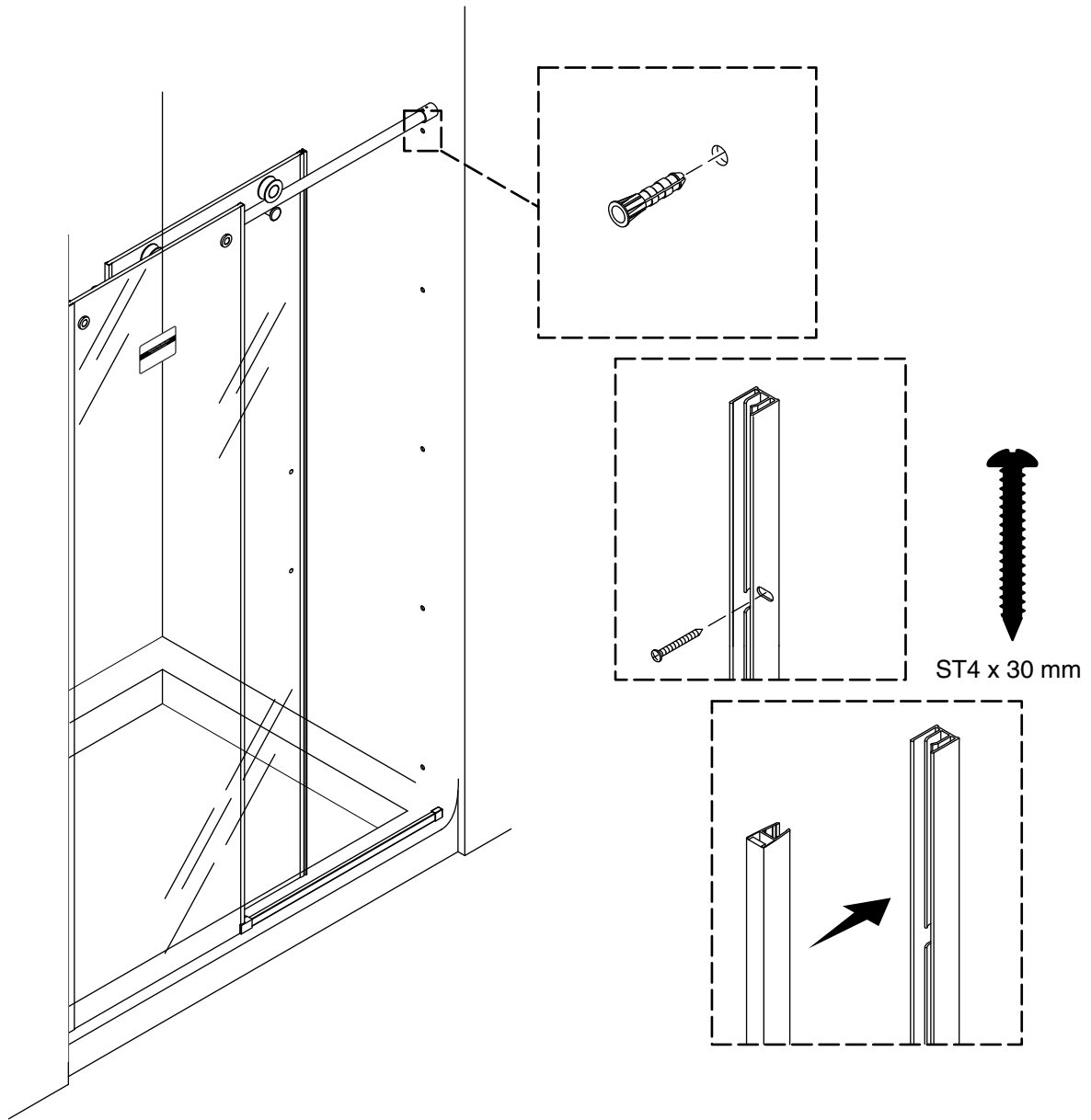
IMPORTANT! The strike jamb must fit tightly against the shower base and wall.

- Attach the magnetic seal to the seal already installed on the edge of the sliding panel.
- Slide the door closed, so that the strike jamb is against the wall.
- Plumb the strike jamb.
- Mark the strike jamb location on the wall.



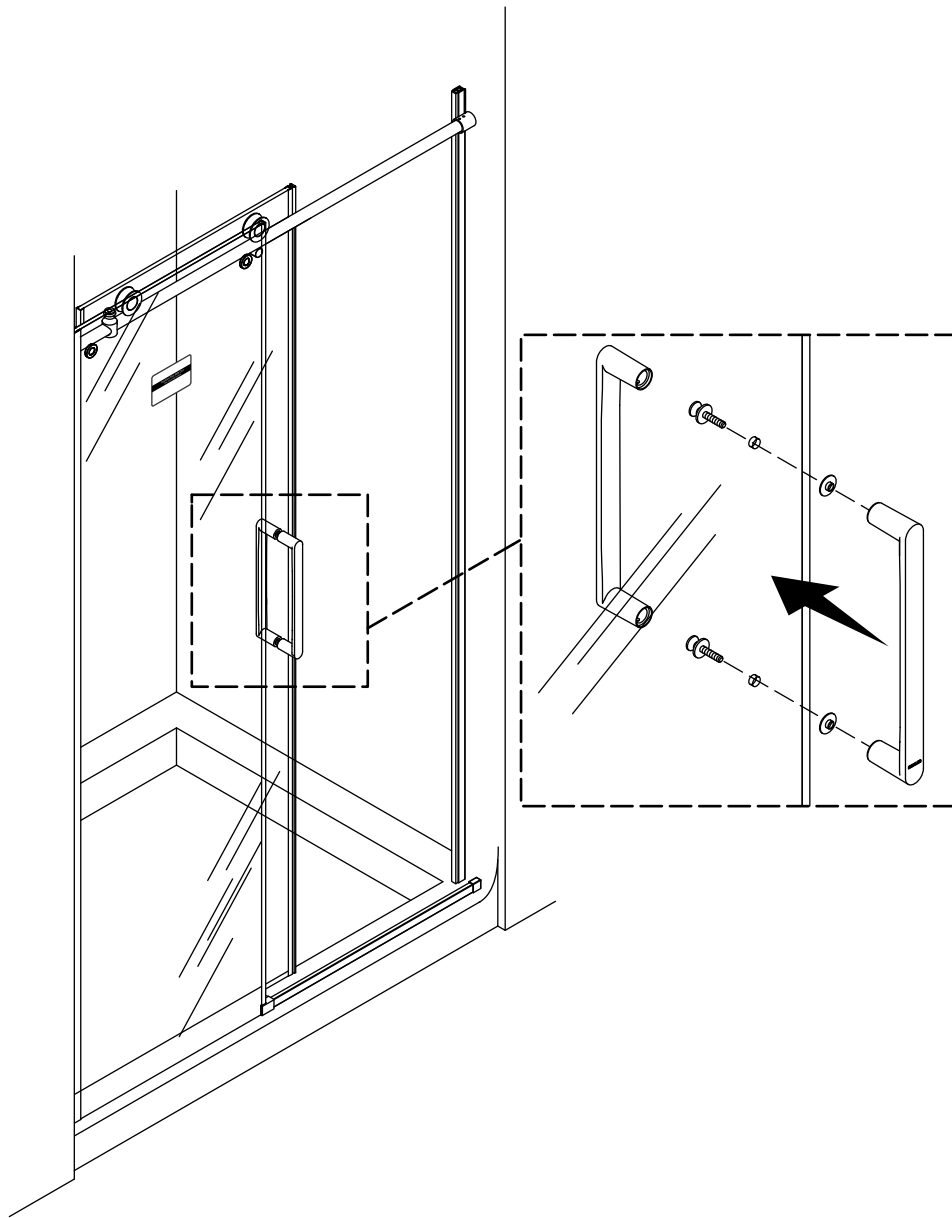
26. Mark the Strike Jamb Holes

- Open the door and remove the magnetic seal B and strike jamb from the door.
- Remove the magnetic seal B from the strike jamb.
- Align the strike jamb with the mark on the wall and secure with tape.
- Mark the five holes.
- Remove the strike jamb.
- Drill a 1/4" hole at each mark. Use a masonry bit for tile walls.



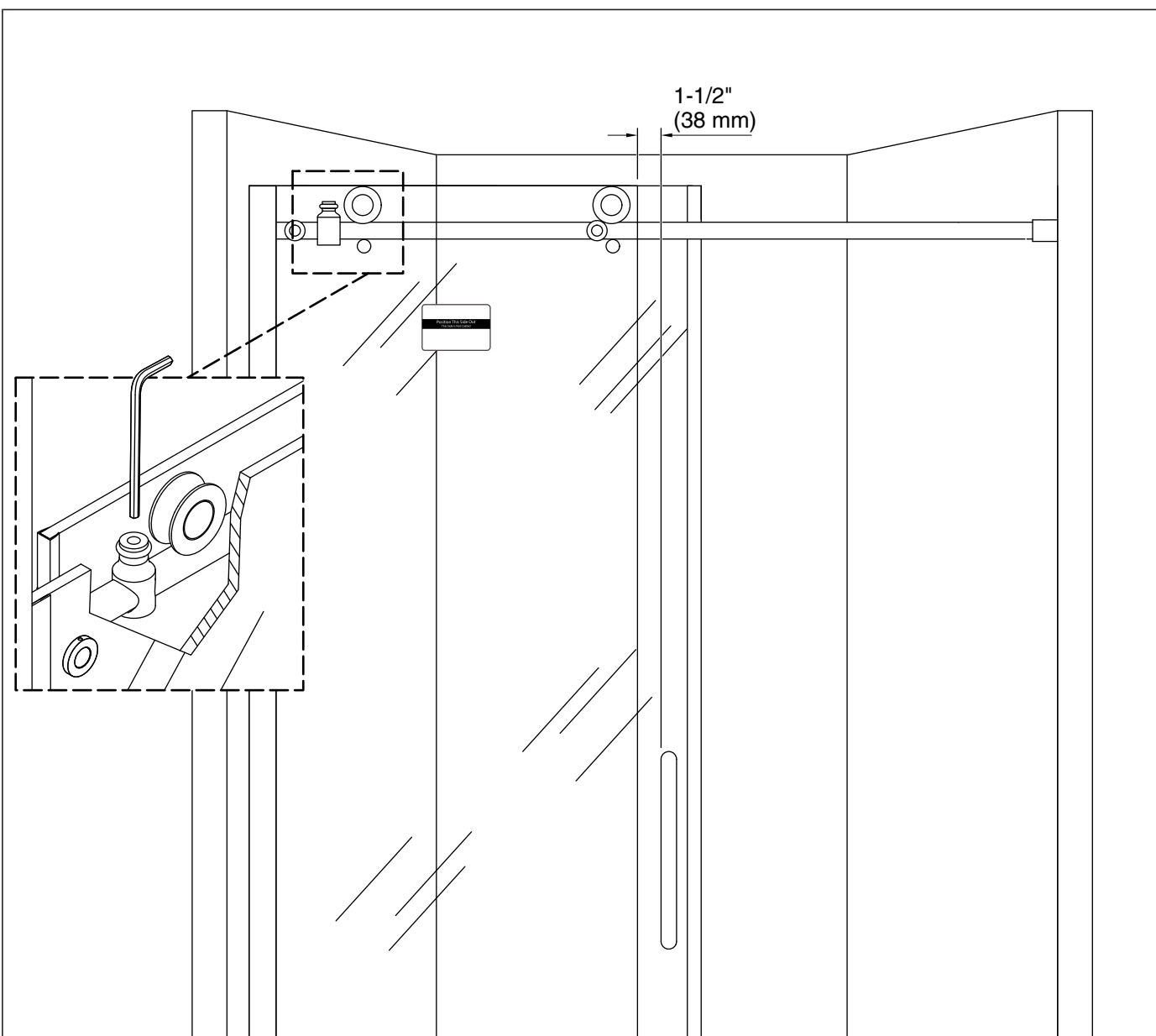
27. Install the Strike Jamb

- Install the provided wall anchors. If necessary, gently tap the anchors until they are flush against the wall.
- Replace the strike jamb and align with the anchor holes.
- Secure the strike jamb to the wall with five of the provided ST4 x 30 mm screws.
- Replace magnetic seal B in the strike jamb.



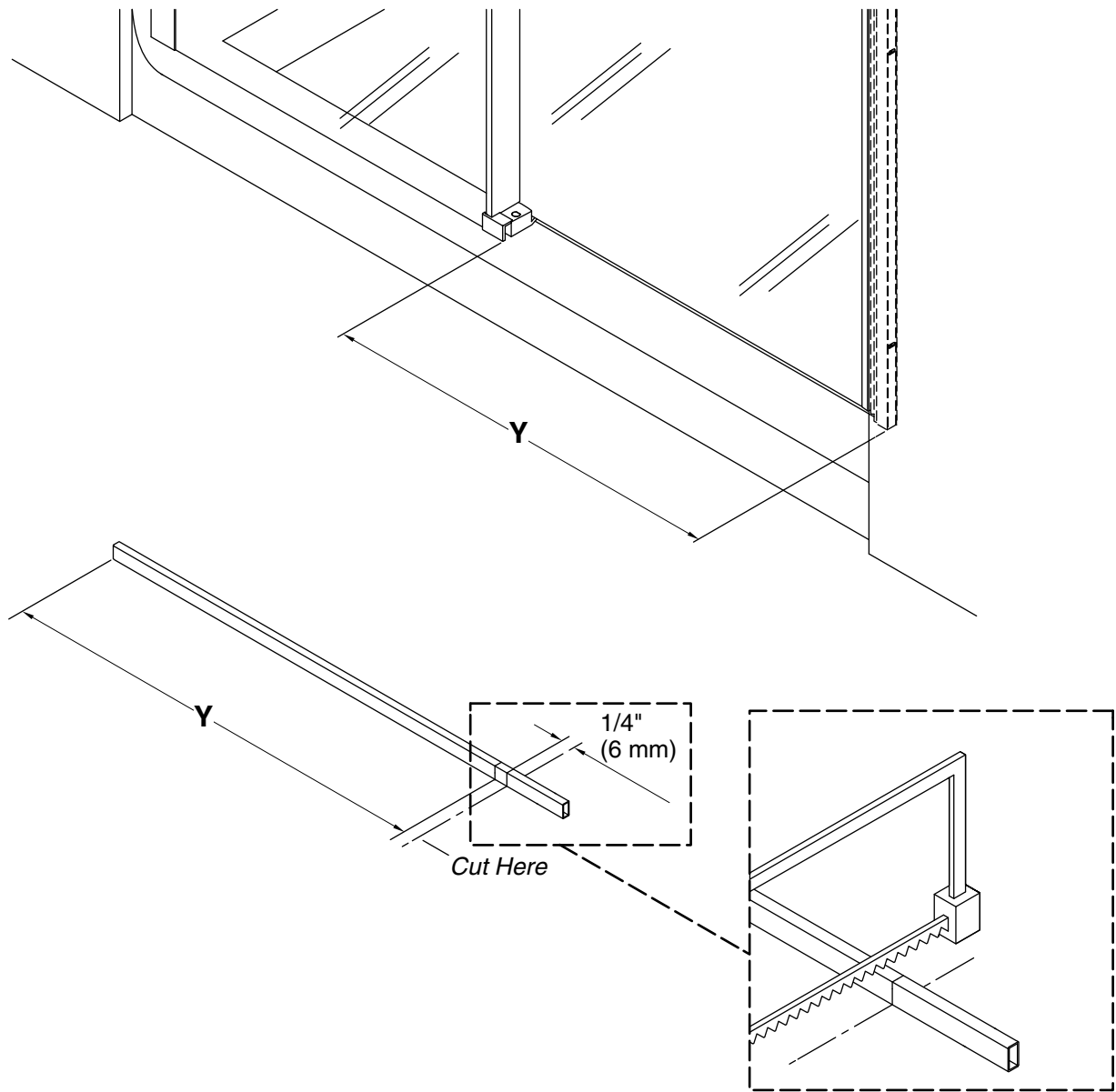
28. Install the Handles

- Place a bushing into each side of each handle hole. From the inside of the shower, push a bolt through each handle hole.
- With the "KOHLER" lettering at the bottom, place the outside handle over the bolts. Thread the bolts into the handle.
- Tighten the bolts with a slotted screwdriver. Do not overtighten!
- Install the inside handle over the bolts.
- Secure the inside handle with the two setscrews. Tighten with the provided 2.5 mm hex wrench.



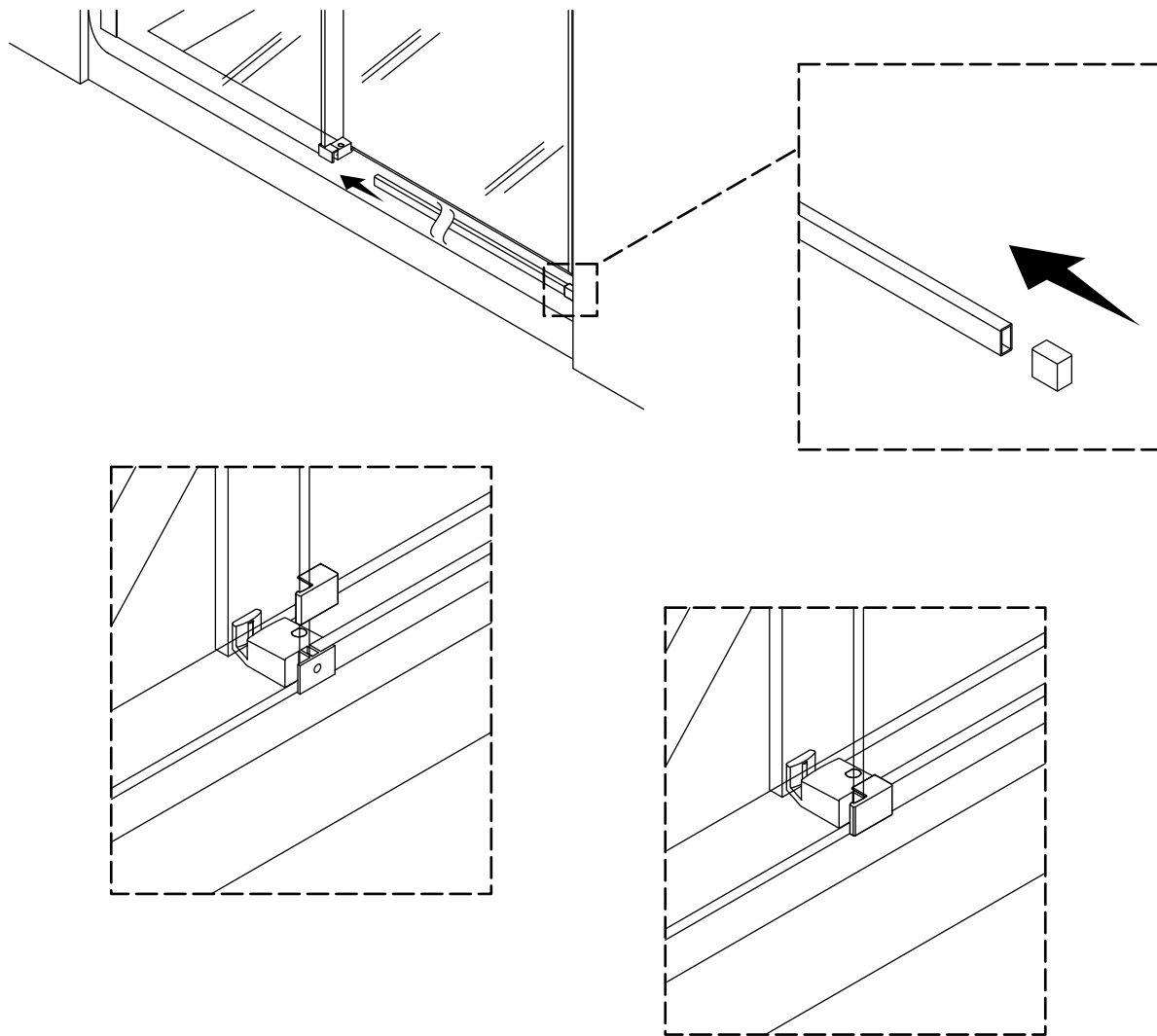
29. Locate the Bumper

- Slide the door open until the handle is 1-1/2" (38 mm) from the fixed panel.
- Slide the bumper along the header until it contacts the roller.
- **Securely** tighten the setscrew with the hex wrench.



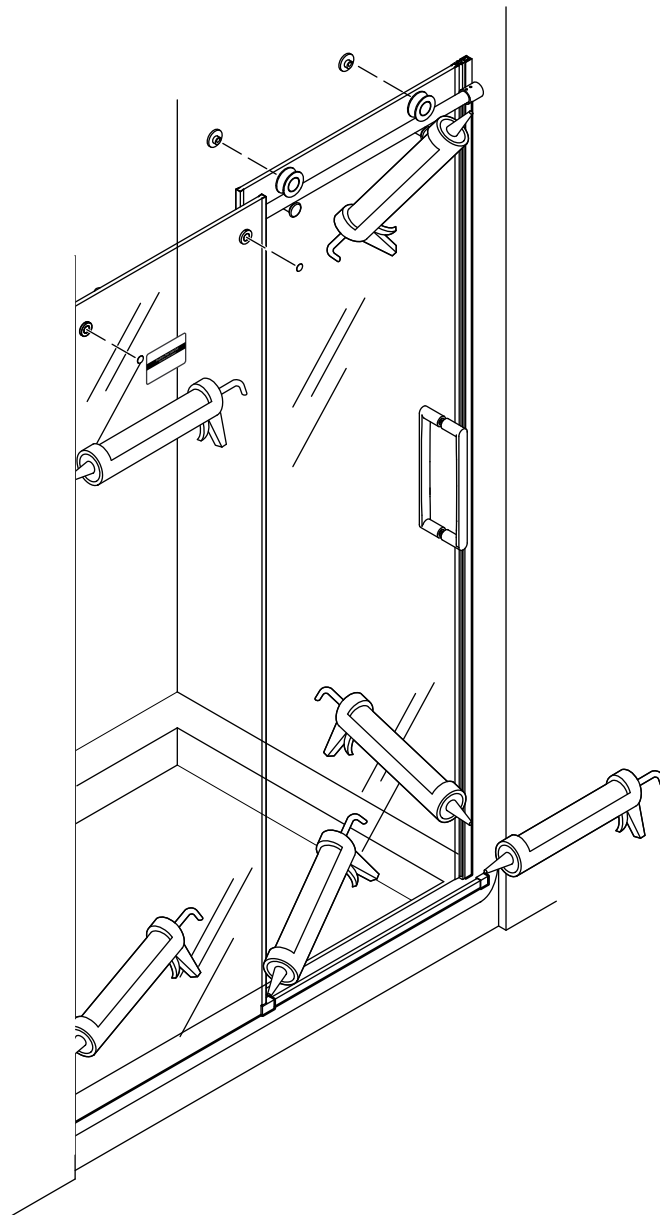
30. Install the Threshold

- If needed, shape and file the bottom corner of the threshold and the threshold corner to fit against the shower wall. Use a coin to match and transfer the radius.
- Measure "Y" between the center of the centerguide and the wall on the strike jamb side.
- Mark "Y" on the threshold.
- Measure 1/4" (6 mm) from "Y" and make a second mark on the threshold as shown.
- Cut the threshold at the second mark and file any rough edges.



31. Install the Threshold

- Slip the threshold cap onto the end of the threshold.
- Slide the end of the threshold into the centerguide.
- Snap the centerguide cap selected in the "Determine the Door Configuration" section down over the centerguide.



32. Seal the Shower Door

- Snap the caps over the header mount and roller screws.
- Apply 100% silicone sealant along all edges on the interior and exterior of the shower.

Care and Cleaning

For best results, keep the following in mind when caring for your KOHLER product:

- Always test your cleaning solution on an inconspicuous area before applying to the entire surface.
- Wipe surfaces clean and rinse completely with water immediately after applying cleaner. Rinse and dry any overspray that lands on nearby surfaces.
- Do not allow cleaners to soak on surfaces.
- Use a soft, dampened sponge or cloth. Never use an abrasive material such as a brush or scouring pad to clean surfaces.
- The ideal cleaning technique is to rinse thoroughly and wipe the product dry after each use.

Care and Cleaning (cont.)

For detailed cleaning information and products to consider, visit www.kohler.com/clean. To order Care & Cleaning information, call 1-800-456-4537.

Troubleshooting

This troubleshooting guide is for general aid only. For service and installation issues or concerns, call 1-800-4-KOHLER.

Troubleshooting Table

Symptoms	Probable Cause	Recommended Action
1. The door is noisy when opened or closed.	<p>A. The wedge seal between the fixed panel and the wall jamb is missing or not fully installed.</p> <p>B. The centerguide roller is worn or dirty.</p> <p>C. The sliding panel is too low and scrapes on the centerguide or shower base.</p> <p>D. Rollers have worn and are noisy.</p>	<p>A. Install wedge seal and push completely into place according to the "Install the Wedge Seal and Assemble Header" section.</p> <p>B. Remove the sliding panel and clean the centerguide roller. Replace centerguide if necessary.</p> <p>C. Adjust the rollers to raise the sliding panel by following the instructions in the "Level the Header" section.</p> <p>D. Replace the rollers.</p>
2. The door is hard to move or does not open.	<p>A. The sliding panel is too low and scrapes on the centerguide or shower base.</p> <p>B. The centerguide roller is too tight.</p>	<p>A. Adjust the rollers to raise the sliding panel by following the instructions in the "Level the Header" section.</p> <p>B. Adjust the centerguide roller to relieve pressure on the sliding panel according to the instructions in the "Finish Centerguide Installation" section.</p>
3. The sliding panel will not close.	<p>A. The sliding panel is too low and scrapes on the centerguide or shower base.</p>	<p>A. Adjust the rollers to raise the sliding panel by following the instructions in the "Level the Header" section.</p>
4. The handle hits the fixed panel when the door is opened.	<p>A. The bumper was not located correctly or has moved.</p>	<p>A. Set the bumper in the correct location according to the instructions in the "Locate the Bumper" section. Securely tighten the setscrew in the bumper.</p>
5. Water leaks.	<p>A. Water leaks under the fixed panel.</p> <p>B. Water leaks between the wall and wall jamb.</p> <p>C. Water leaks between the sliding panel and the strike jamb.</p> <p>D. Water leaks between the sliding panel and the fixed panel.</p>	<p>A. Apply 100% silicone sealant to the outside bottom edge of the fixed panel. See silicone sealant manufacturer's instructions before using shower.</p> <p>B. Apply 100% silicone sealant where the wall meets the wall jamb, both inside and outside the shower. See silicone sealant manufacturer's instructions before using shower.</p> <p>C. Adjust the rollers so that the magnetic seal on the door contacts the magnetic seal on the strike jamb evenly. Follow the instructions in the "Adjust the Sliding Panel" section.</p> <p>D. Confirm that the vertical seals are correctly installed.</p>

Troubleshooting (cont.)

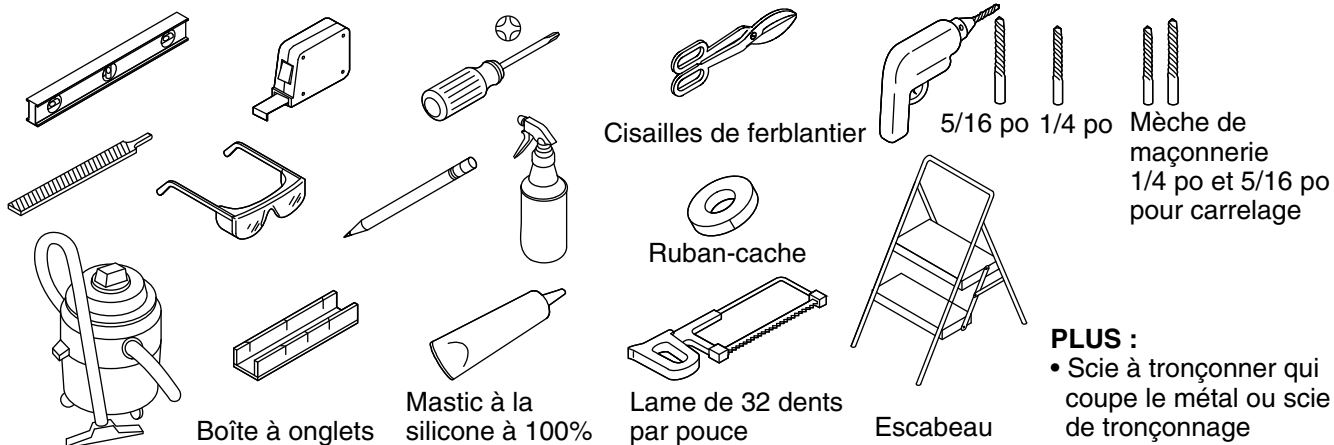
Troubleshooting Table

Symptoms	Probable Cause	Recommended Action
	<p>E. Water leaks under the sliding panel.</p> <p>F. Water leaks under the shower base or bathroom floor.</p>	<p>E. Lower the rollers so that the sliding panel is closer to the shower base without scraping by following the instructions in the "Level the Header" section.</p> <p>F. Remove the centerguide. Apply 100% silicone sealant to the drilled hole, the screw threads, and the bottom of the centerguide. Reinstall the centerguide. Apply 100% silicone sealant around the edge of the centerguide. See silicone sealant manufacturer's instructions before using shower.</p>

Guide d'installation







Porte de douche coulissante

Outils et matériel



PLUS :
• Scie à tronçonner qui coupe le métal ou scie de tronçonnage

Avant de commencer

-  **AVERTISSEMENT: Risque de blessures graves.** Des dommages avant l'installation peuvent entraîner des éclatements de verre. Inspecter le verre et toutes les pièces pour y rechercher des dommages avant l'installation.
-  **AVERTISSEMENT: Risque de blessures graves.** Une installation incorrecte peut entraîner des éclatements de verre. Suivre toutes les instructions d'installation.
-  **AVERTISSEMENT: Risque de blessures graves.** Ne pas couper le verre trempé. Le verre trempé éclate lorsqu'il est coupé.
-  **AVERTISSEMENT: Risque de blessures graves.** La porte de la douche et les panneaux latéraux peuvent éclater. Inspecter régulièrement le verre et toutes les pièces pour y rechercher des dommages, ou des pièces manquantes ou desserrées.
-  **AVERTISSEMENT: Risque de blessures graves.** Toujours porter des lunettes de sécurité pendant la découpe et le perçage.
-  **ATTENTION: Risque de blessures.** Le verre trempé ne doit pas entrer en contact avec des surfaces dures, car il risquerait de se briser. Ne pas toucher le bord du panneau de verre trempé avec des outils ou d'autres objets durs.

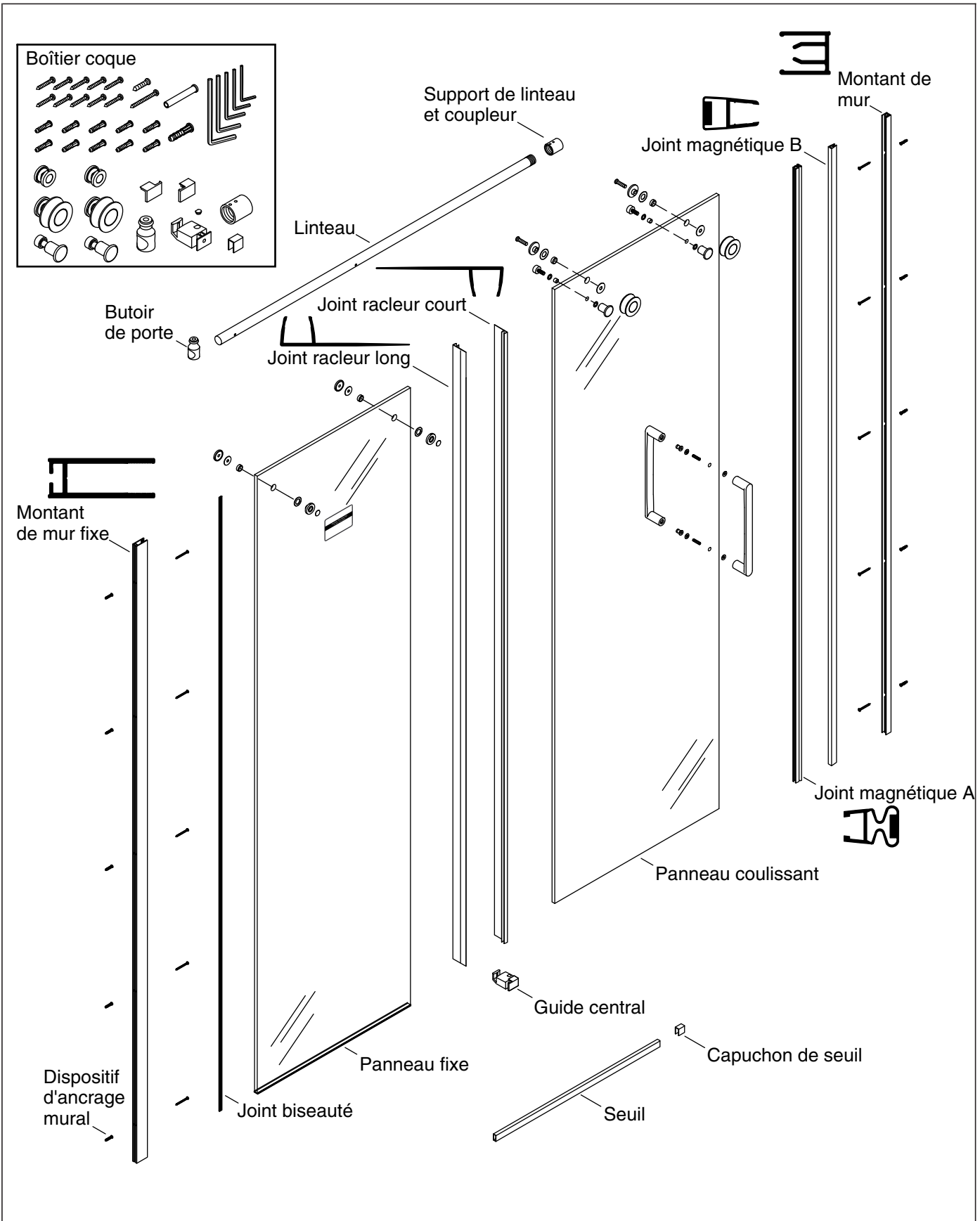
IMPORTANT! Laisser ce manuel pour l'utilisateur final. Lire ces instructions avant d'installer ou d'utiliser ce produit.

IMPORTANT! Cette porte est conçue pour s'adapter à des murs qui ont un faux aplomb de moins de 3/8 po (10 mm). Vérifier que la zone sur laquelle la porte sera fixée est comprise dans un rayon de 3/8 po (10 mm) de l'aplomb. La porte risque de ne pas fonctionner correctement si le faux aplomb du mur est supérieur à 3/8 po (10 mm).

IMPORTANT! Cette porte est fournie emballée dans deux cartons séparés. Assurer que deux cartons sont présents avant de commencer l'installation.

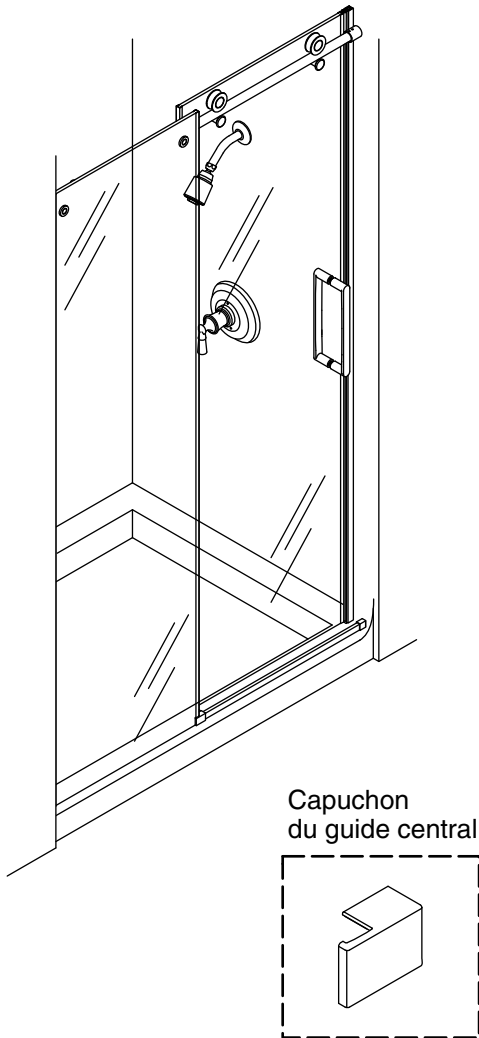
Avant de commencer (cont.)

- Il est recommandé d'installer le panneau de porte coulissant sur le même côté de la douche que celui de la pomme de douche.
- Ne pas installer cette porte sur une base de douche en fonte.
- Couvrir le drain avec du ruban adhésif pour éviter de perdre les petites pièces.
- Identifier toutes les pièces avant l'installation.
- Suivre les instructions du fabricant du mastic à la silicone en ce qui concerne l'application et le temps de prise.
- Deux personnes doivent effectuer cette installation.

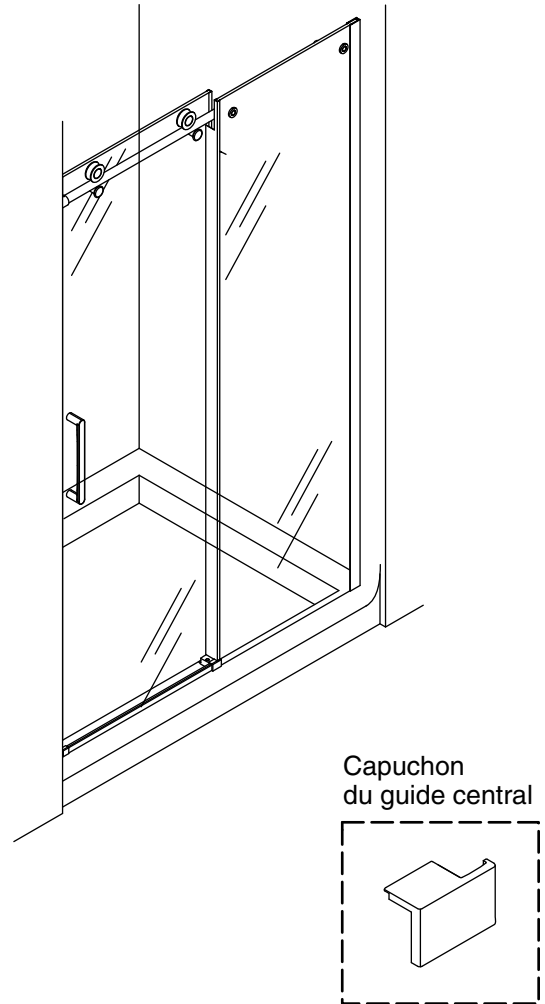


Identification des pièces

Ouverture à droite



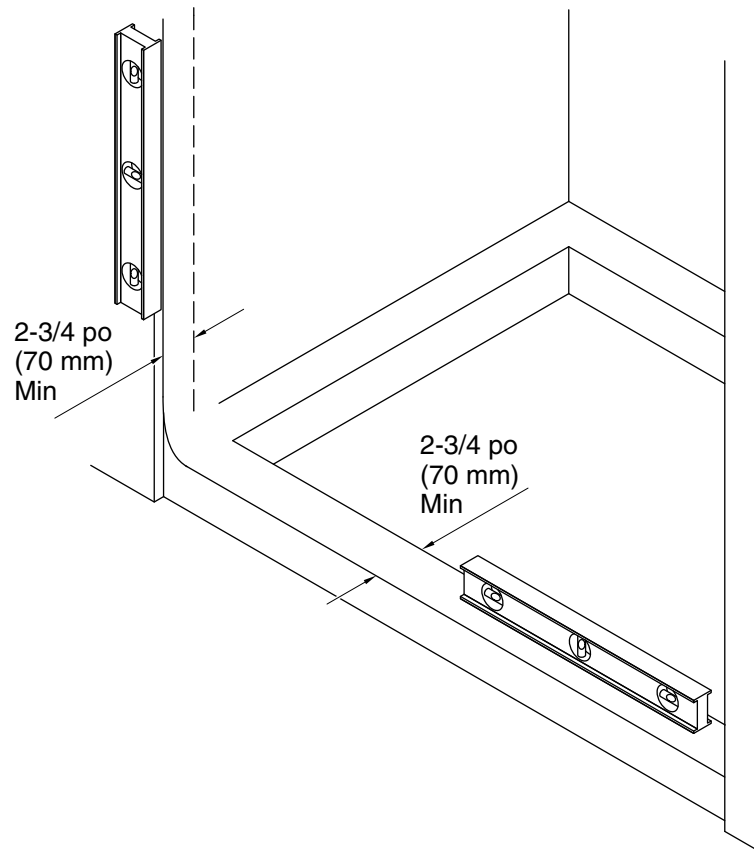
Ouverture à gauche



1. Déterminer la configuration de la porte

IMPORTANT! Une configuration avec ouverture à droite est indiquée dans les étapes d'installation sauf sur indication contraire.

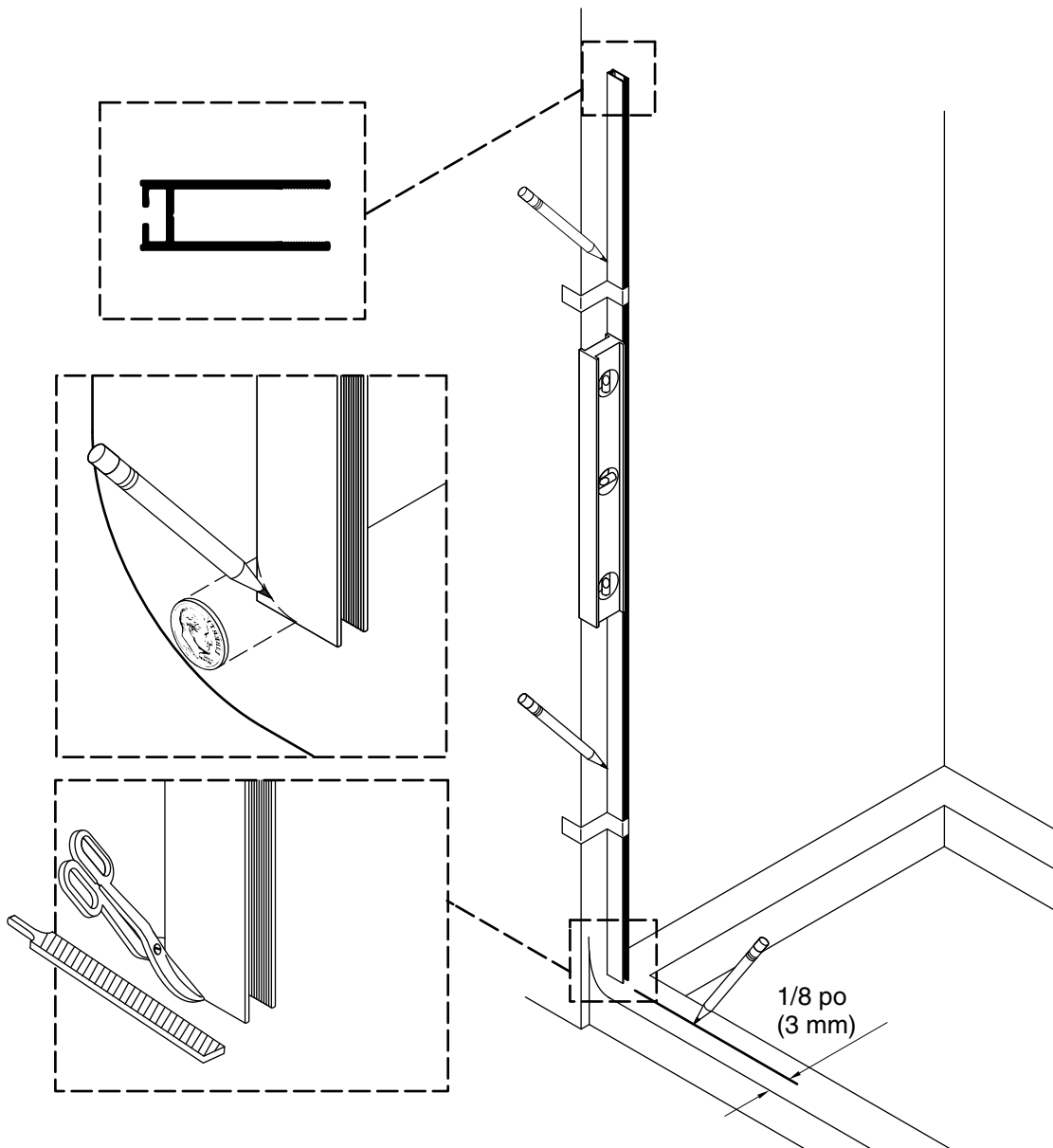
- Déterminer si la porte sera installée dans une configuration avec ouverture à droite ou à gauche.
- Il est recommandé d'installer le panneau coulissant sur le même côté de la douche que celui de la pomme de douche.
- Choisir le chapeau du guide central qui correspond à la configuration de la porte.



2. Vérifier la compatibilité

IMPORTANT! Pour un alignement et un fonctionnement adéquats, vérifier que la base de la douche et les murs sont conformes aux conditions requises suivantes. **Ne pas installer la porte** si ces conditions requises ne sont pas présentes.

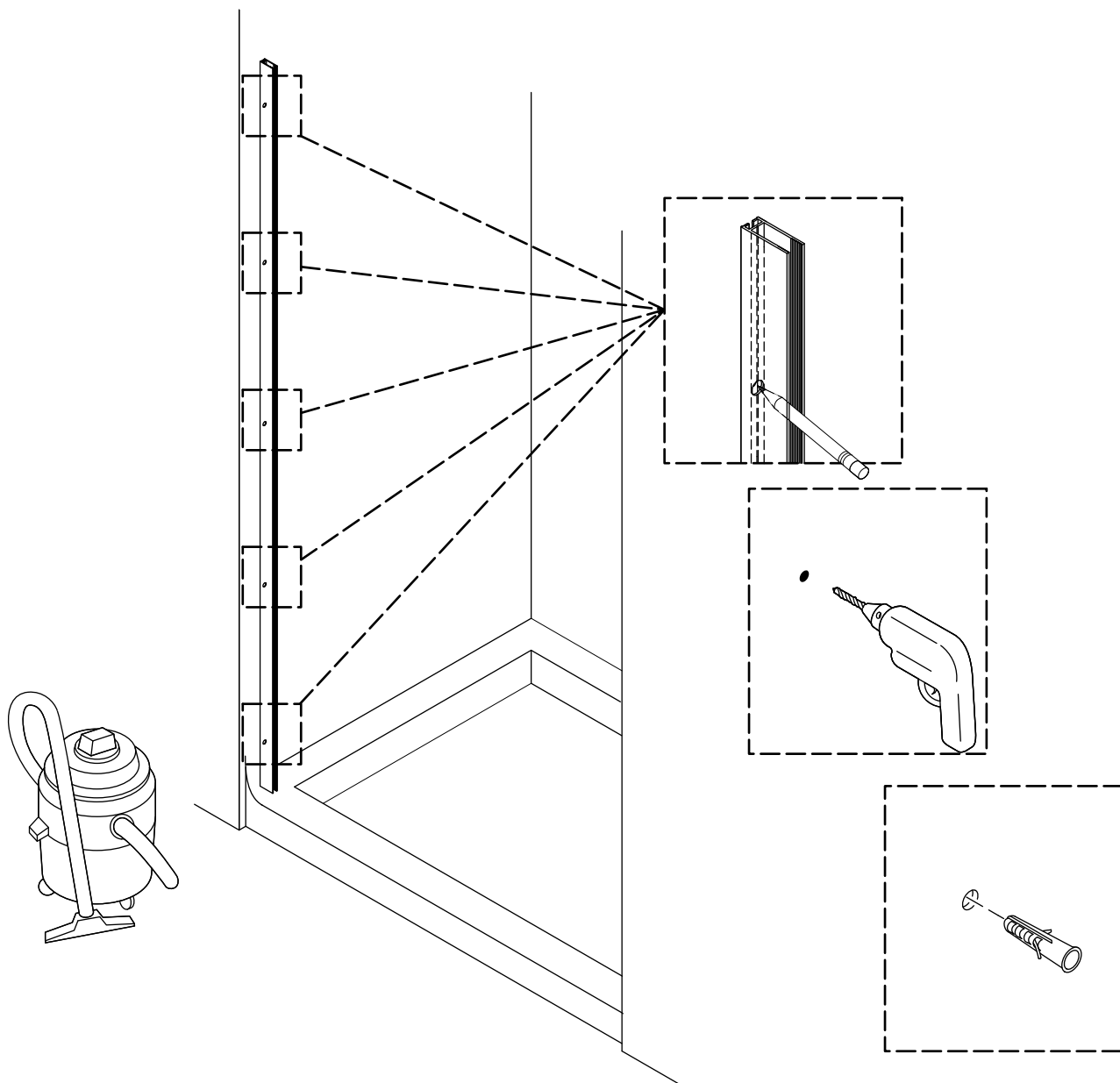
- La porte 706080-L est conçue pour être installée dans les ouvertures de la douche d'une largeur de 44-5/8 po (1133 mm) à 47-7/8 po (1216 mm).
- La porte 706081-L est conçue pour être installée dans les ouvertures de douche d'une largeur de 56-1/8 po (1426 mm) à 59-7/8 po (1521 mm).
- Une surface plate de 2-3/4 po (70 mm) au moins doit être présente sur la base de la douche et les murs.
- Les murs doivent être compris dans un rayon de 3/8 po (10 mm) de l'aplomb.
- La base de la douche doivent être de niveau entre les murs.
- Ne pas installer cette porte sur une base de douche en fonte.



3. Préparer le montant de mur

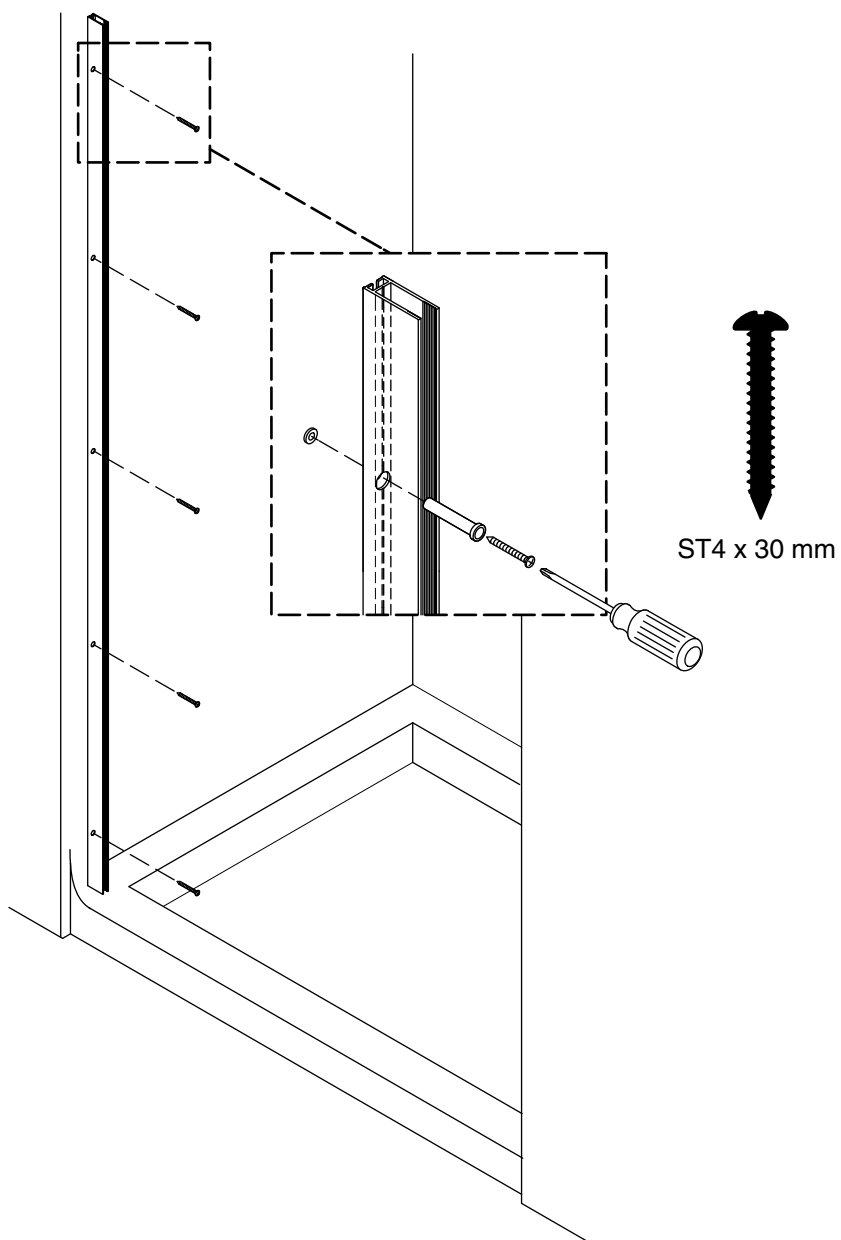
IMPORTANT! Le montant de mur doit bien s'adapter contre la base de la douche et le mur.

- Positionner le montant du mur contre le mur de manière à ce qu'il se trouve dans un rayon de 1/8 po (3 mm) de la base de la douche comme sur l'illustration.
- Si nécessaire, former et limer le coin inférieur pour qu'il s'adapte contre le mur de la douche. Utiliser une pièce de monnaie pour faire correspondre et transférer le rayon de bec.
- Mettre le montant du mur d'aplomb.
- Fixer le montant de mur de manière sécurisée au ruban adhésif et marquer son emplacement.



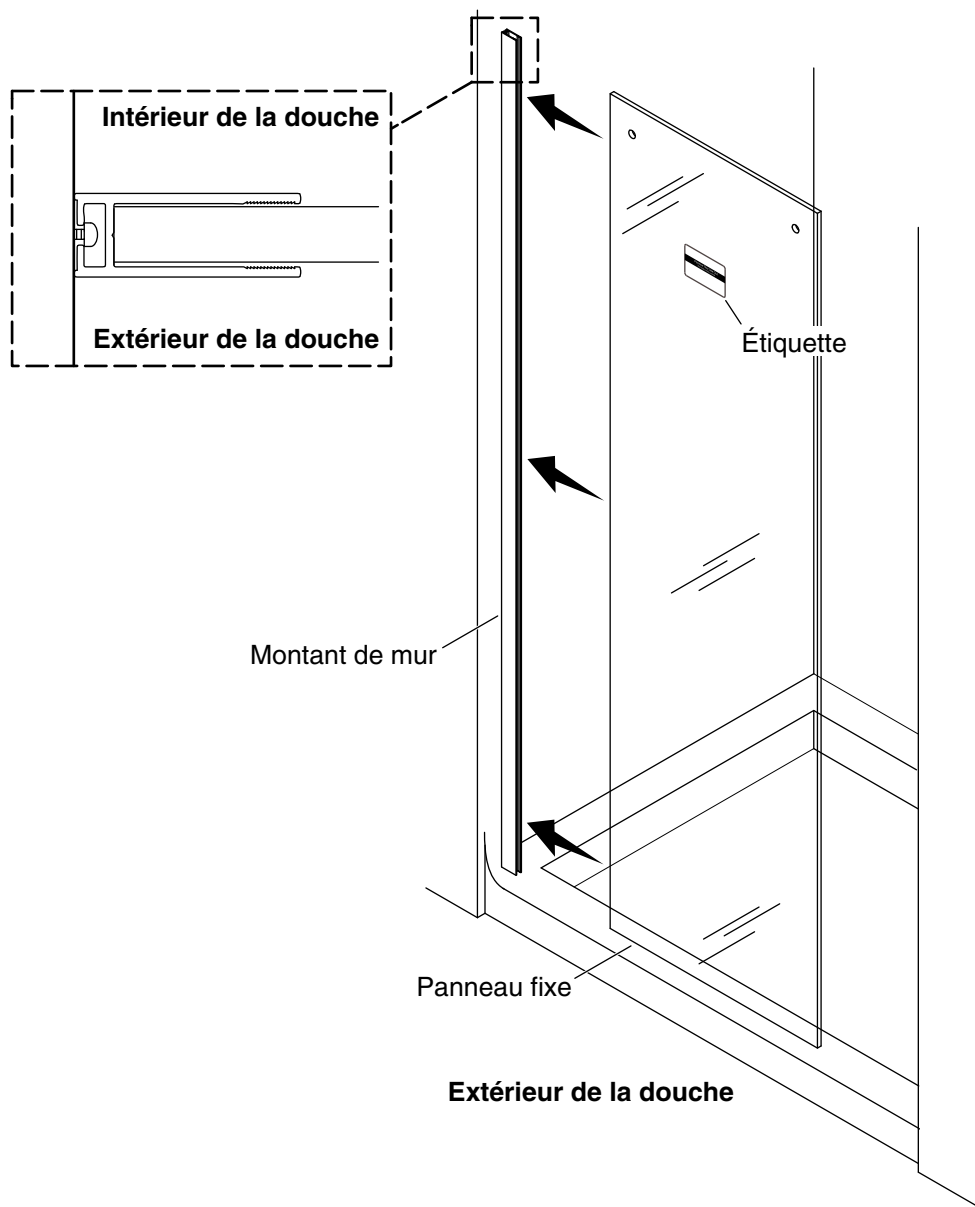
4. Marquer les emplacements des trous de montant de mur

- Marquer au crayon les cinq emplacements des trous des chevilles d'ancrage de montant de mur.
- Retirer le montant de mur et le mettre de côté.
- Percer un trou de 1/4 po à chaque emplacement marqué. Utiliser une mèche à maçonnerie pour les murs à carrelage.
- Installer les chevilles d'ancrage de mur fournies. Si nécessaire, taper doucement sur les chevilles d'ancrage jusqu'à ce qu'elles soient à ras du mur.
- Bien nettoyer la base de la douche et les murs.



5. Installer le montant de mur

- Remettre le montant de mur en place et aligner avec les trous des chevilles d'ancrage.
- Utiliser le guide des vis pour aligner et démarrer chaque vis.
- Sécuriser le montant de mur avec cinq des vis ST4 x 30 mm fournies.



6. Installer le panneau fixe



AVERTISSEMENT: Le panneau fixe n'est pas sécurisé dans le montant de mur tant que le joint biseauté et le linteau n'ont pas installés. Procéder avec soin jusqu'à ce que l'installation soit terminée.

IMPORTANT! Exécuter les étapes ci-dessous avec un assistant.

IMPORTANT! L'étiquette se trouvant sur le panneau fixe doit être tournée vers l'extérieur de la douche.

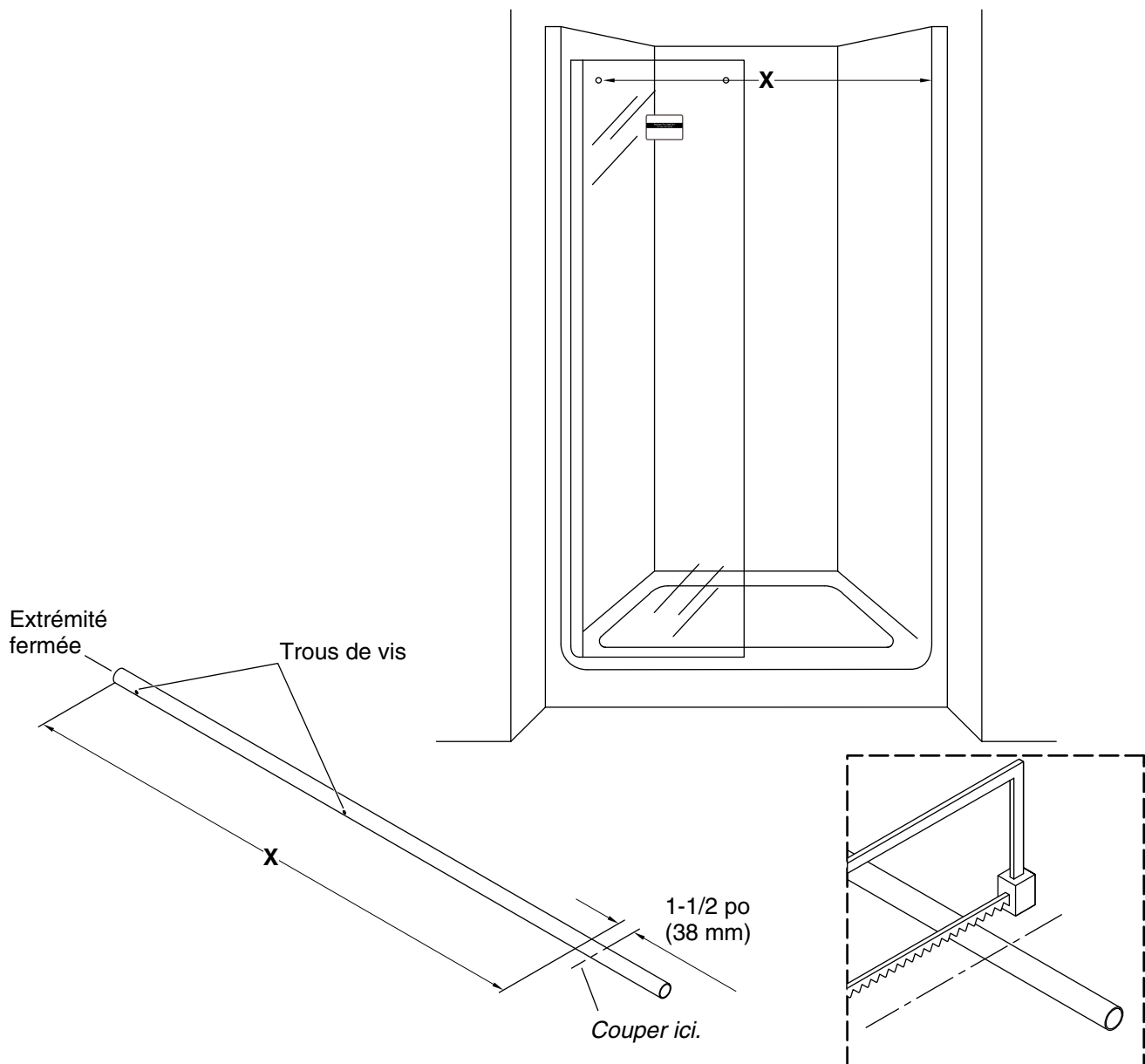
REMARQUE: Le panneau fixe peut être identifié en ayant deux trous **seulement** dans le haut.

REMARQUE: S'assurer que le joint d'étanchéité en plastique transparent est présent sur le bord inférieur du panneau fixe pour empêcher d'endommager la base de la douche.

- Retirer les protecteurs triangulaires en plastique des coins du panneau fixe.

Installer le panneau fixe (cont.)

- Avec un assistant, positionner le panneau fixe avec l'étiquette tournée vers l'extérieur de la douche et les trous sur le haut.
- Installer le panneau fixe entièrement dans le montant de mur. Le panneau fixe n'est pas sécurisé tant que le joint biseauté et le linteau n'ont pas été installés. Procéder avec soin jusqu'à ce que l'installation soit terminée.
- S'assurer que le panneau fixe se trouve à distance égale du rayon de base de la douche.

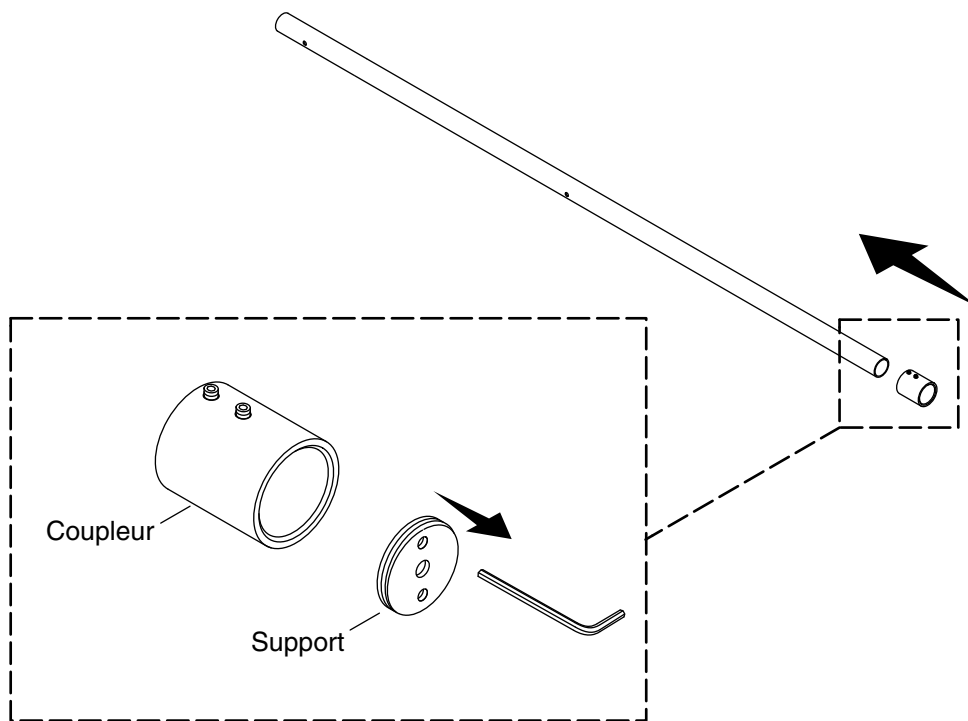


7. Mesurer et couper le linteau

IMPORTANT! Vérifier les mesures avant de couper. **Ne pas couper le linteau trop court.**

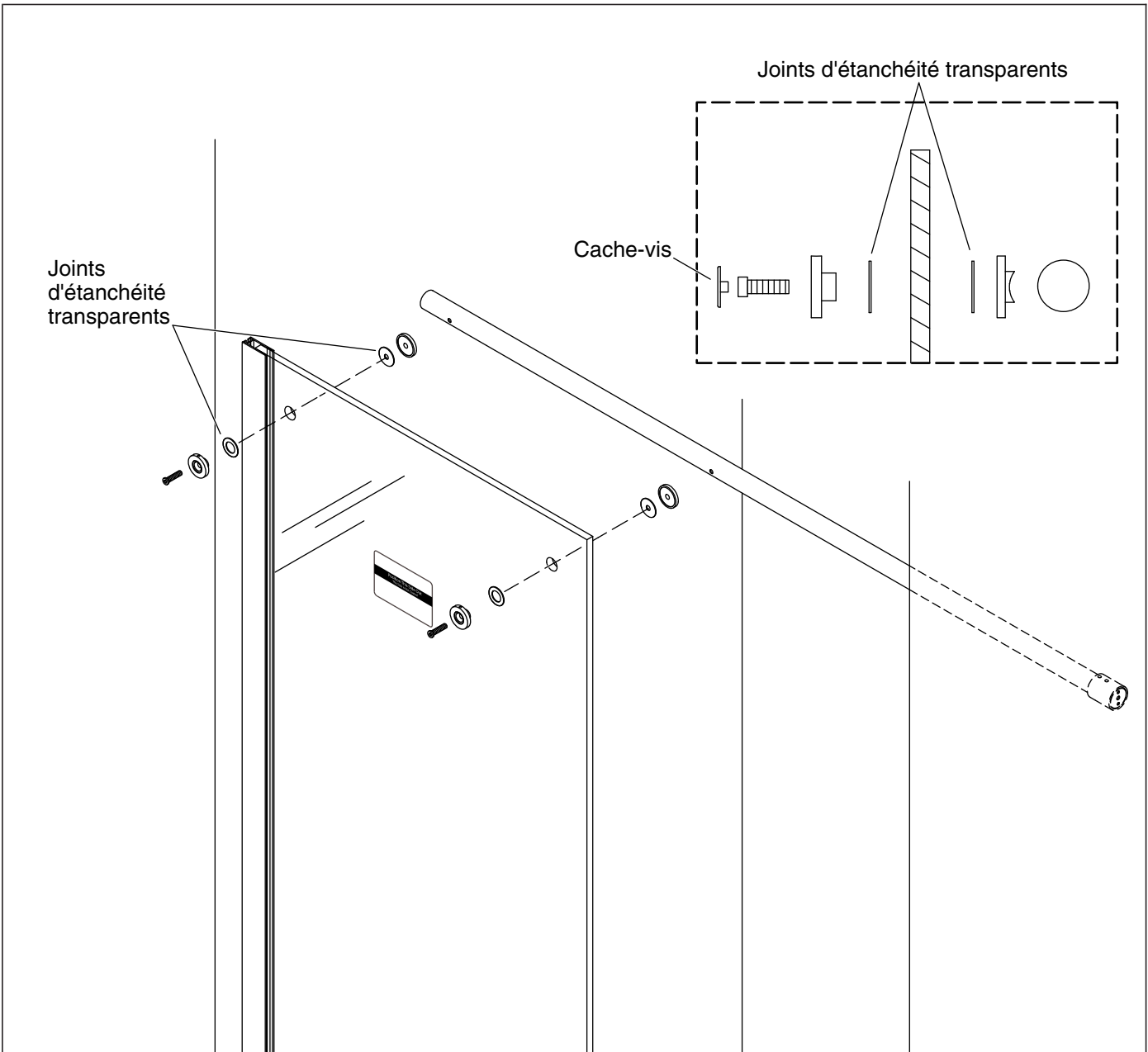
AVIS: Une scie à tronçonner qui coupe le métal ou une scie de tronçonnage est recommandée pour couper le linteau. Si non disponible, une scie à métaux et une boîte à onglet seront suffisantes.

- Trouver le trou du panneau fixe le plus proche du mur. Mesurer « X » à partir de ce trou jusqu'au mur opposé comme sur l'illustration.
- Mesurer « X » à partir de l'**extrémité fermée** du linteau (le plus proche des trous de vis). Poser un repère au niveau du « X » sur le linteau.
- Mesurer une distance de 1-1/2 po (38 mm) supplémentaire à partir du « X » comme sur l'illustration et poser un deuxième repère sur le linteau. Si le deuxième repère atterrit au-delà de l'extrémité du linteau, il ne sera pas nécessaire de couper le linteau.
- Couper le linteau au niveau du deuxième repère. Limer tous les bords rugueux.



8. Assembler le lindeau

- Dévisser le support du coupleur et le mettre de côté.
- Glisser le coupleur sur le lindeau. Serrer les vis d'arrêt pour maintenir le coupleur en place.

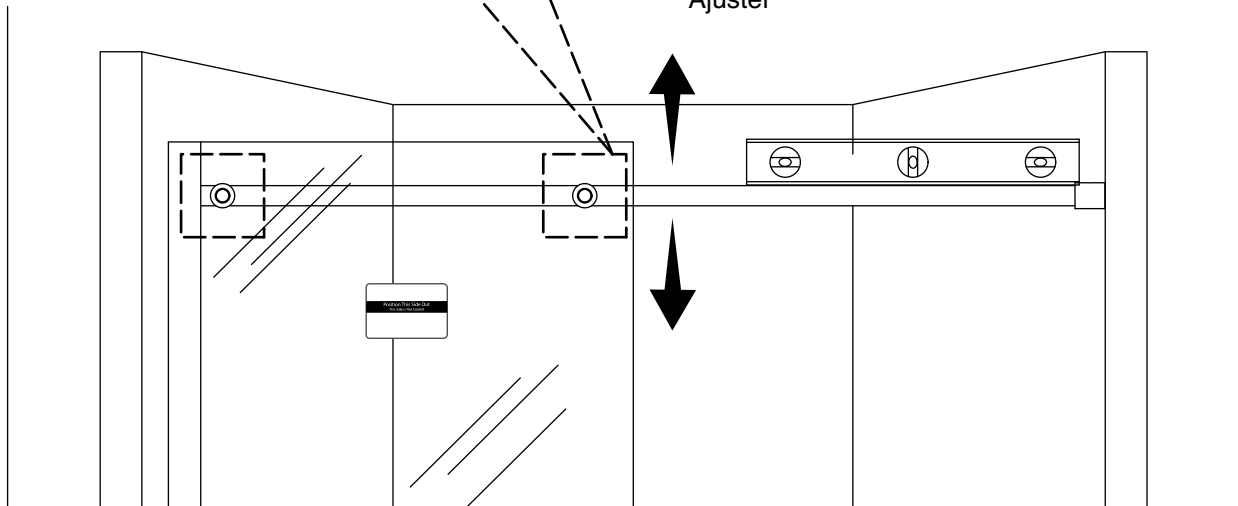
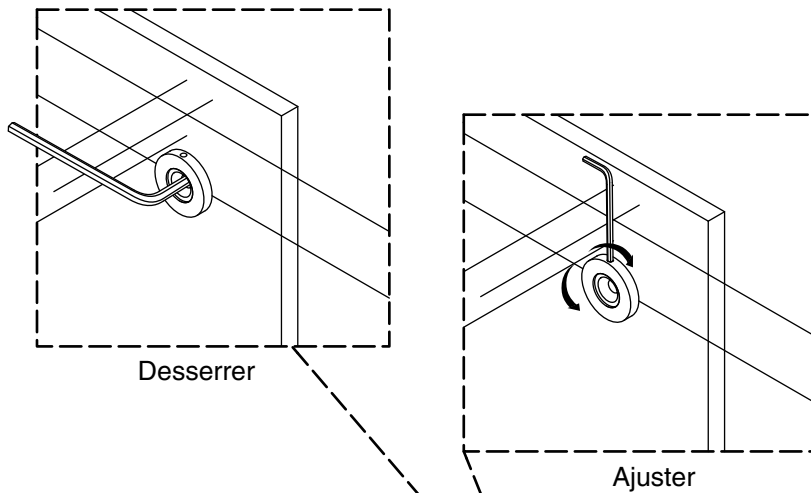


9. Installer le linteau

IMPORTANT! Le linteau est installé sur le panneau fixe à l'intérieur de la douche.

REMARQUE: Retirer les couvercles de vis des montures du linteau et les mettre de côté.

- Assembler les montures du linteau sur le panneau fixe comme sur l'illustration.
- S'assurer que les joints d'étanchéité transparents sont en place sur les deux côtés des montures du linteau. Ils pourraient être difficiles à voir.
- À partir de l'extérieur de la douche, pousser un boulon à tête hexagonale par chaque monture et l'enfiler dans les trous de vis situés dans le linteau. **Ne pas trop serrer!**
- S'assurer que le linteau repose entièrement dans les surfaces courbées des montures du linteau.

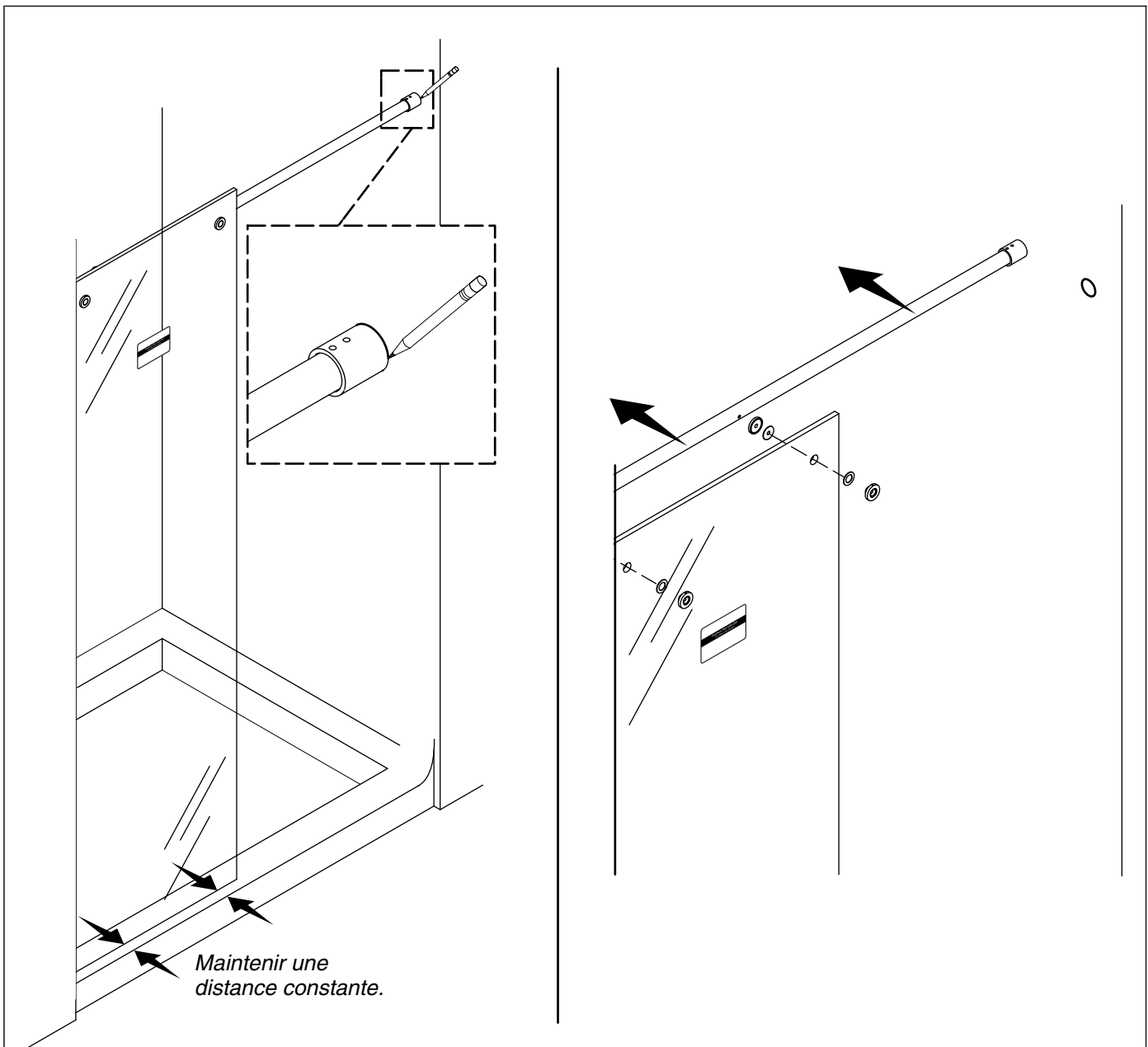


10. Mettre le linteau de niveau

IMPORTANT! Le linteau doit être de niveau avant de continuer.

IMPORTANT! Vérifier que le panneau fixe repose à plat sur le rebord de la douche.

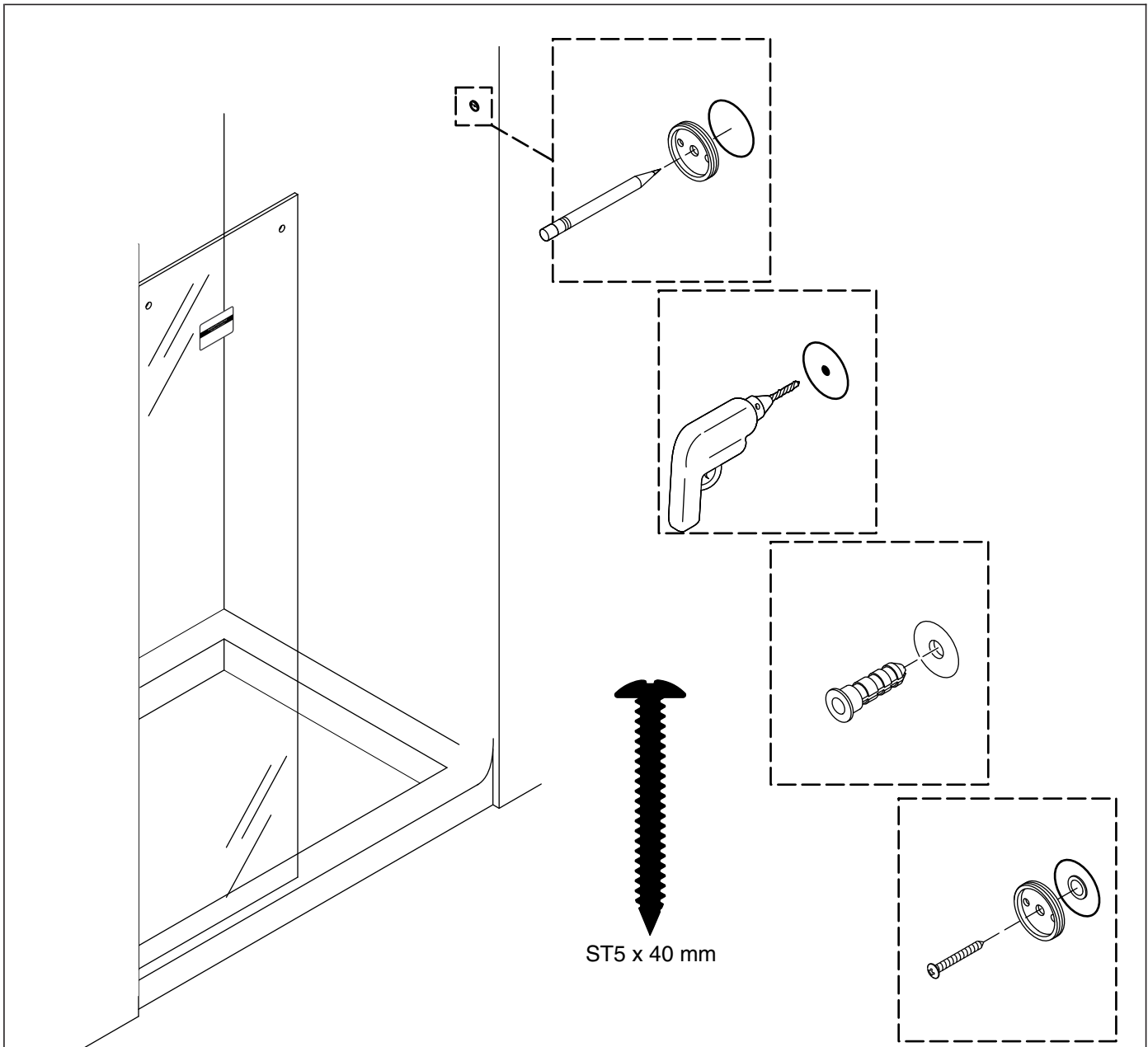
- Si le linteau doit être mis à niveau, desserrer légèrement les vis des montures du linteau.
- Pour ajuster le linteau, placer une clé hexagonale dans le petit trou dans la monture du linteau. Tourner les montures du linteau pour mettre le linteau de niveau.
- Lorsque le linteau est de niveau, serrer les vis des montures du linteau.



11. Marquer la monture du linteau

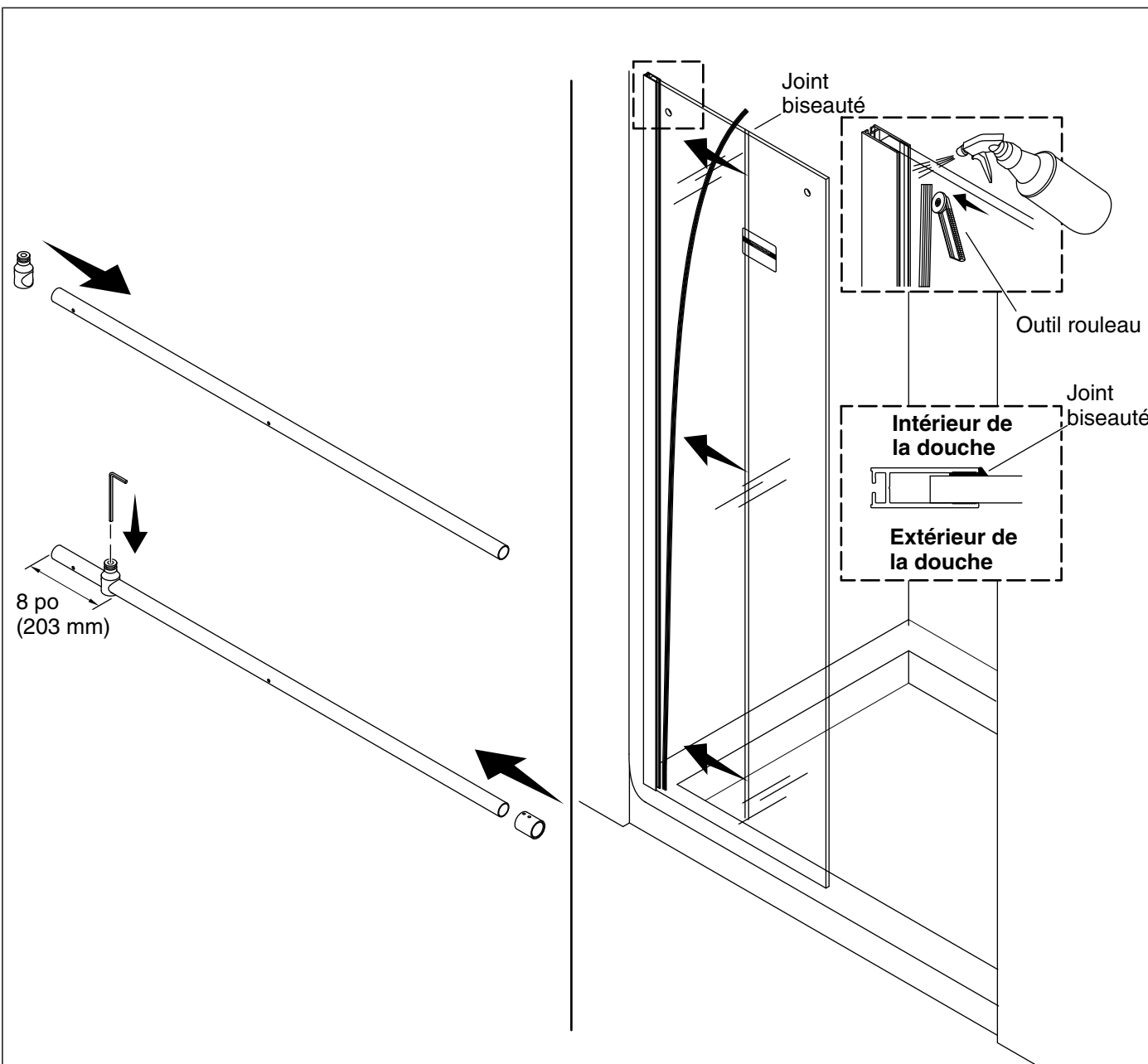
AVIS: Le linteau doit être de niveau et serré de manière sécuritaire sur le panneau fixe. Si nécessaire, retourner à la section « Mettre le linteau de niveau ».

- S'assurer que le panneau fixe se trouve à une distance constante du rayon de la base de la douche.
- Glisser le coupleur sur le mur et marquer son emplacement.
- Retirer le linteau du panneau fixe.



12. Installer le support du linteau

- Aligner le support du linteau sur le repère du mur. Pour une meilleure précision, le support du linteau peut être réinstallé temporairement dans le coupleur.
- Marquer l'emplacement du trou du centre du support du linteau sur le mur.
- Percer un orifice de 5/16 po au niveau du repère du centre du support du linteau.
- Installer la cheville d'ancrage mural de grande taille fournie. S'assurer que la cheville d'ancrage repose complètement contre le mur.
- Installer le support avec la vis ST5 x 40 mm fournie.
- Bien nettoyer la base de la douche et le mur.



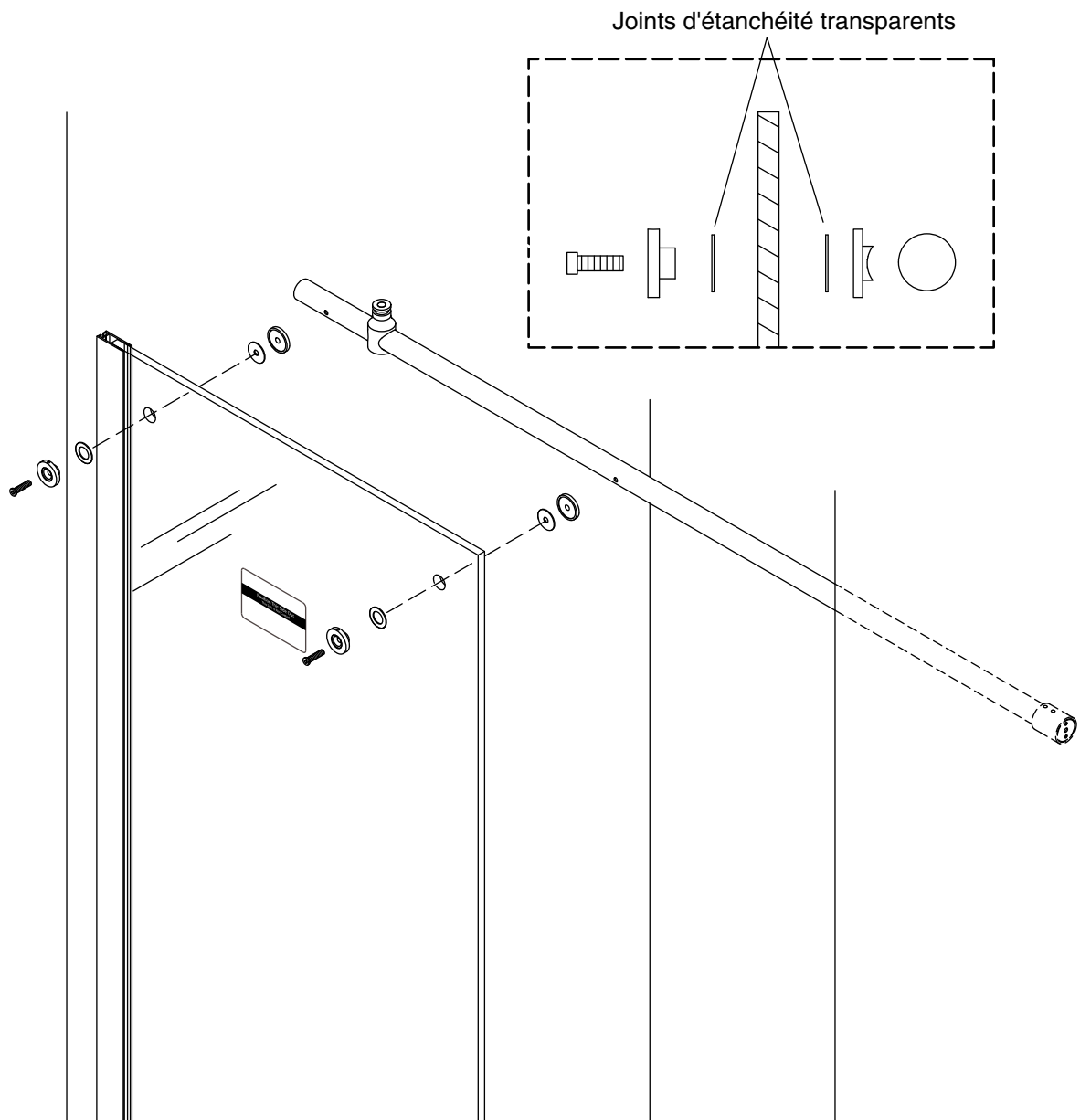
13. Installer le joint biseauté et assembler le linteau

AVIS: Risque d'endommagement du produit. Ne pas utiliser d'objets tranchants pour pousser le joint biseauté en place.

- Glisser le butoir de la porte sur le linteau. Placer le butoir à 8 po (203 mm) environ de l'extrémité fermée, entre les deux trous filetés. Serrer la vis d'arrêt de manière sécuritaire.
- S'assurer que le coupleur est placé sur le linteau, avec les vis d'arrêt à l'écart du mur.
- Comenzando por la parte inferior, con la herramienta para rueditas que adjuntamos, empuje el sello de cuña por completo entre la jamba mural y el panel fijo como se muestra.

REMARQUE: Se puede usar agua para facilitar introducir por completo el sello en la jamba mural.

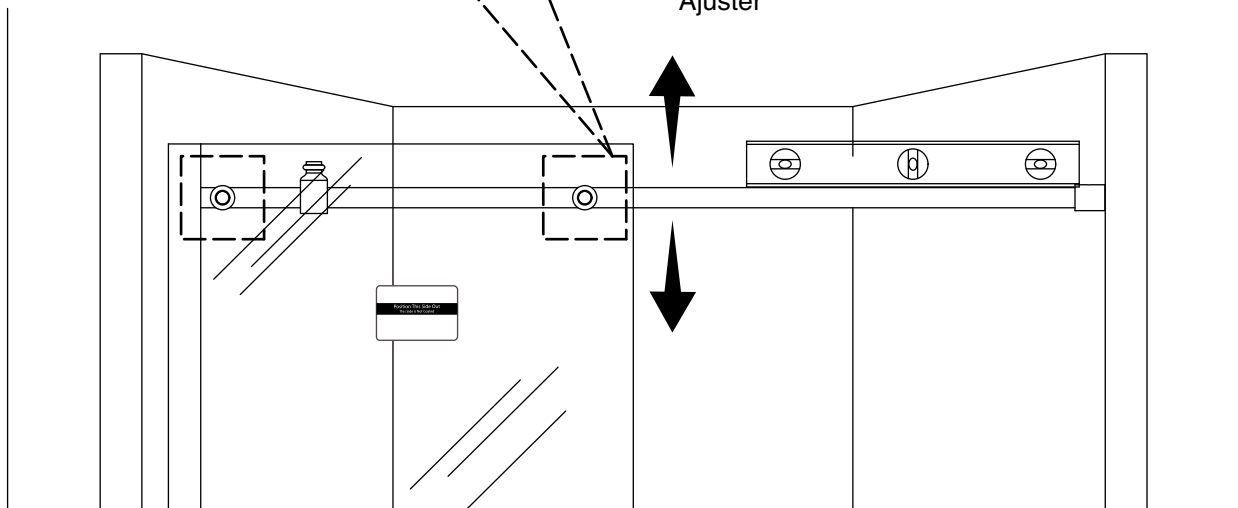
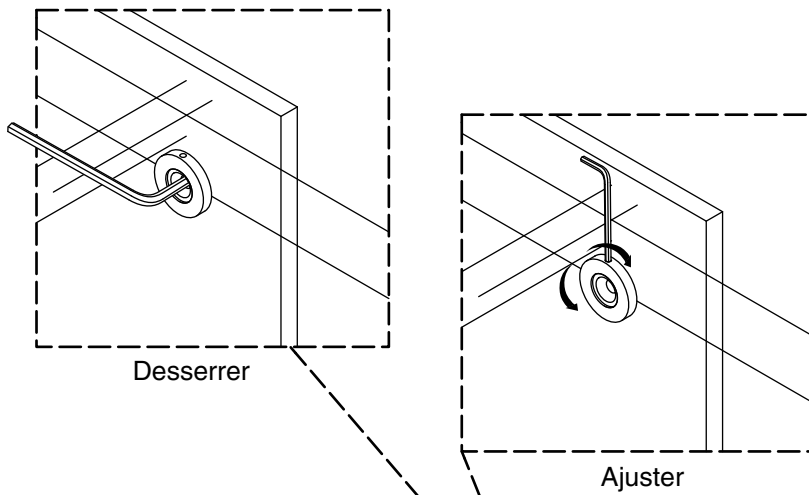
- Couper toute longueur excessive du joint biseauté.



14. Installer le linteau

AVIS: Le linteau est installé sur le panneau fixe à l'intérieur de la douche.

- Assembler les montures du linteau sur le panneau fixe comme sur l'illustration.
- S'assurer que les joints d'étanchéité transparents sont en place sur les deux côtés des montures du linteau.
- À partir de l'extérieur de la douche, pousser un boulon à tête hexagonale par chaque monture et l'enfiler dans les trous de vis situés dans le linteau. **Ne pas trop serrer!**

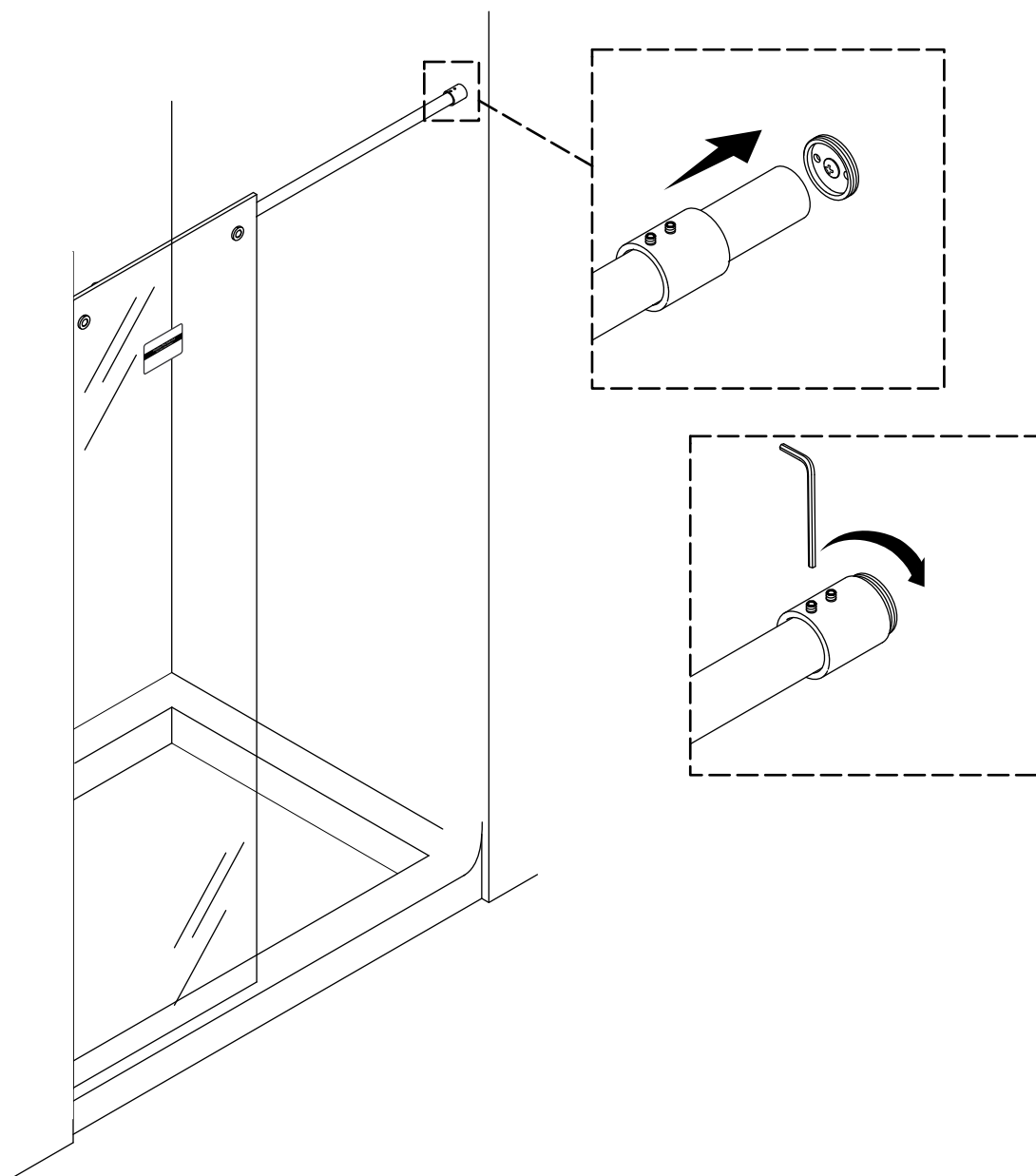


15. Remettre le linteau de niveau

IMPORTANT! Le linteau doit être de niveau avant de continuer.

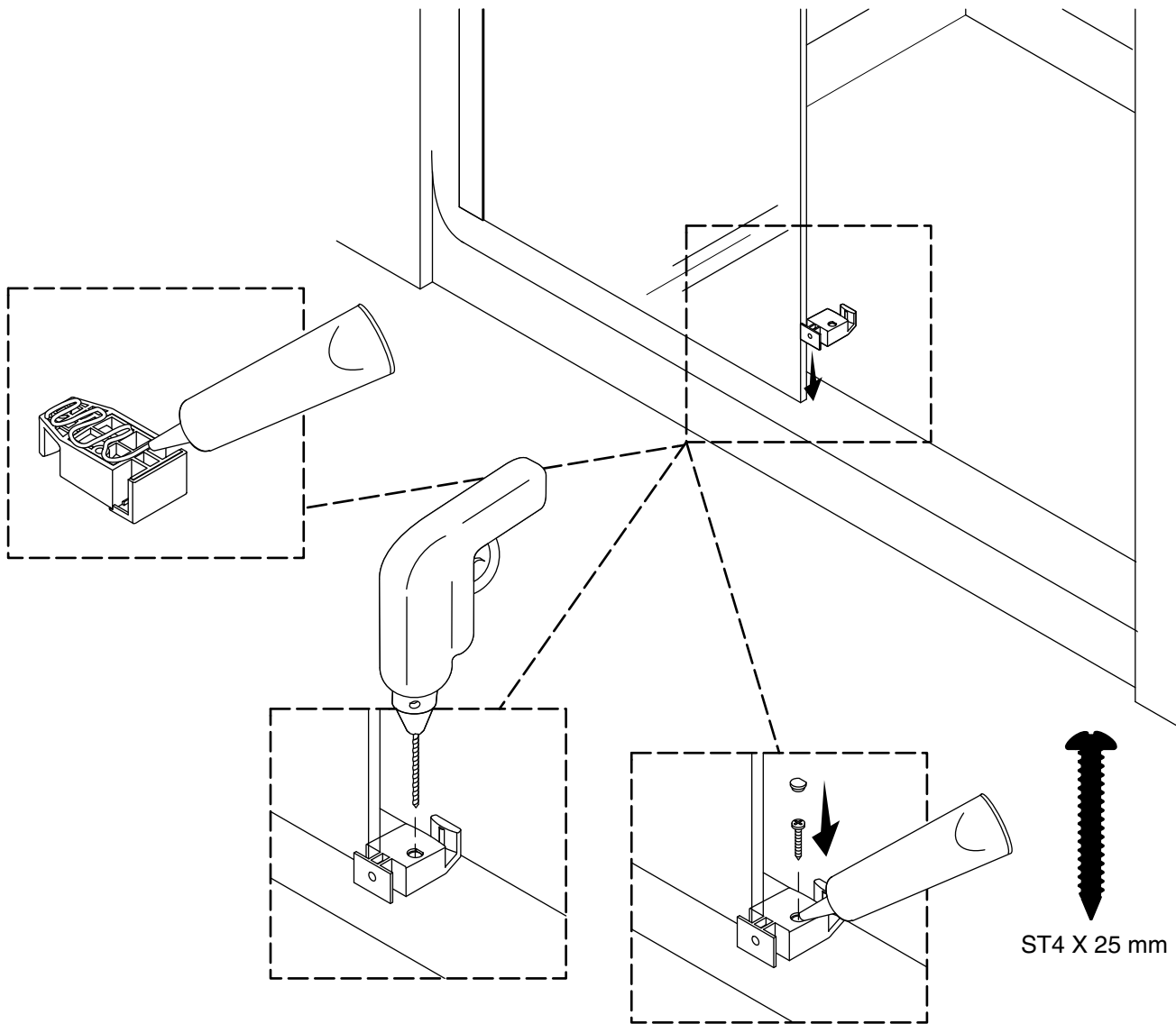
IMPORTANT! Vérifier que le panneau fixe repose à plat sur le rebord de la douche.

- Ajuster le linteau en desserrant les vis des montures du linteau et en tournant les deux montures du linteau avec une clé hexagonale.
- Lorsque le linteau est de niveau, serrer les vis des montures du linteau.



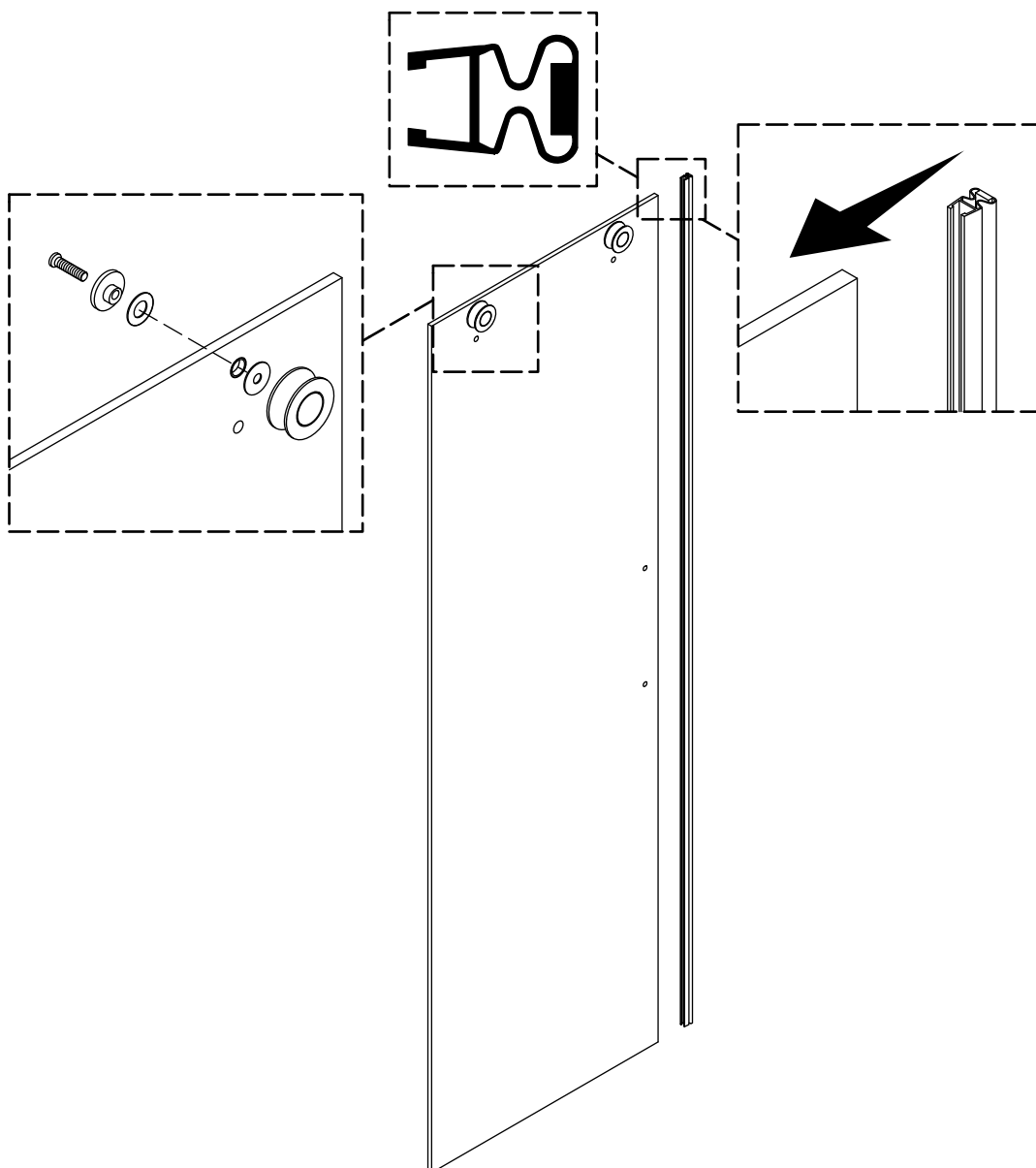
16. Fixer le linteau en place

- Glisser le coupleur sur le mur et l'enfiler sur le support des montures du linteau.
- Orienter le coupleur de manière à ce que les vis d'arrêt ne soient pas visibles. Serrer les vis d'arrêt.
- Vérifier que le linteau est de niveau. De petits ajustements peuvent être effectués conformément à l'étape « Mettre le linteau de niveau ».



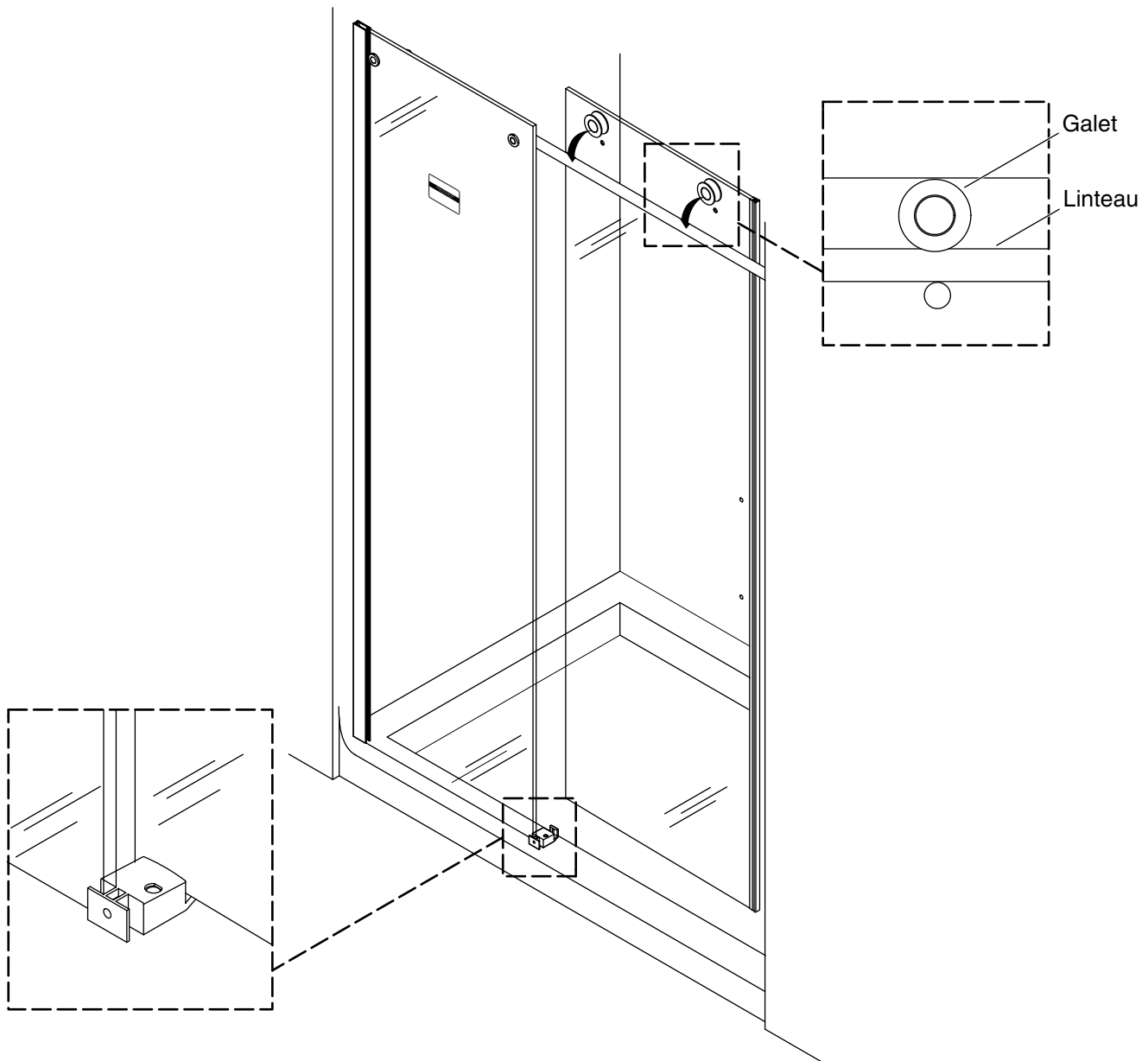
17. Installer le guide central

- Appliquer du mastic à la silicone à 100% sur le fond du guide central.
- Positionner le guide central sur la base de la douche de manière à ce que le panneau fixe repose complètement dans la poche.
- En utilisant le trou dans le guide central comme guide, percer un trou de 1/8 po.
- Appliquer du mastic d'étanchéité à la silicone à 100% sur le trou du guide central.
- Appliquer du mastic à la silicone à 100 % sur la vis ST4 x 25 mm fournie et sécuriser le guide central.
- Enclencher un couvercle par-dessus le trou de vis.



18. Assembler le panneau coulissant

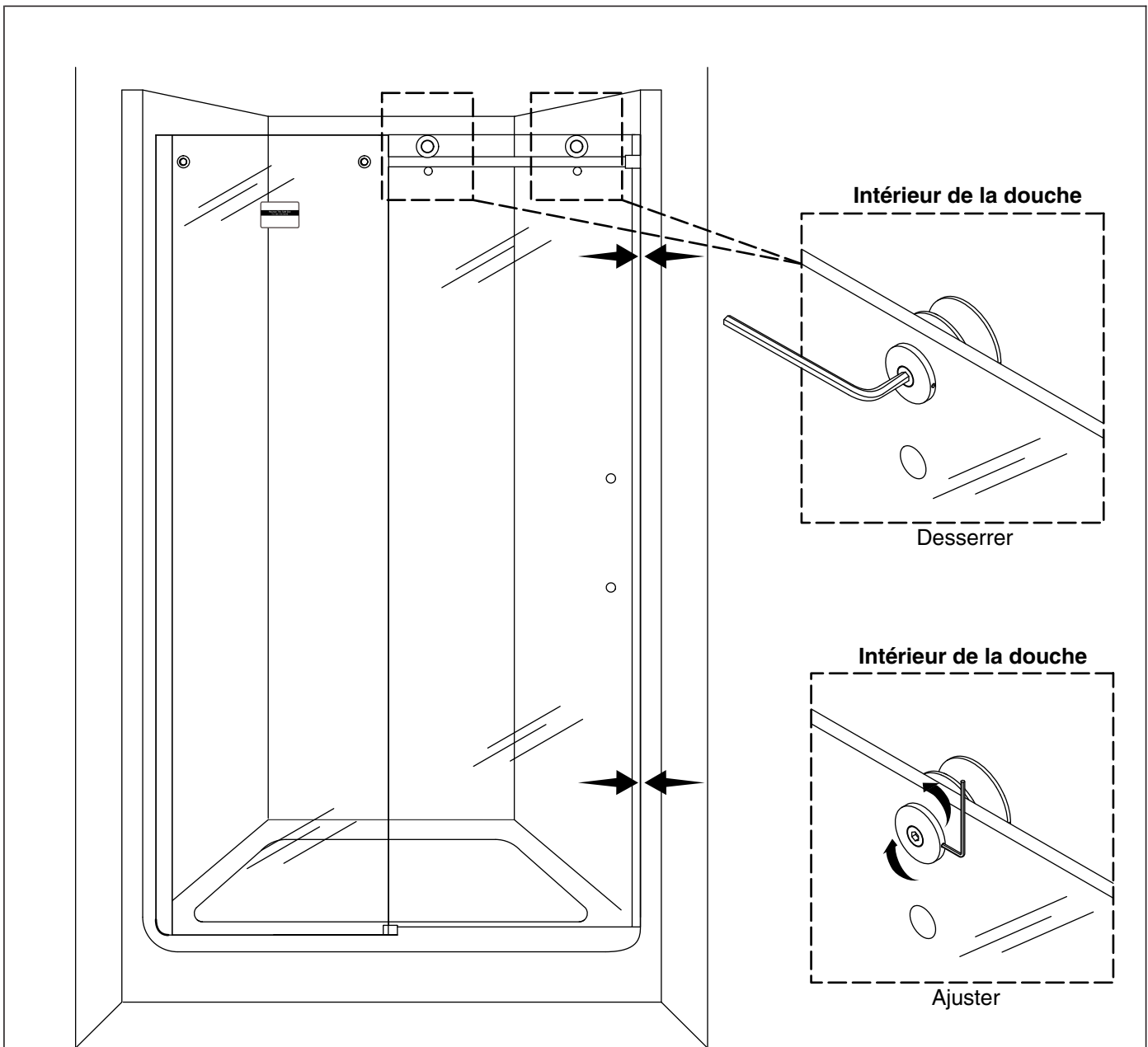
- Installer un galet sur chaque trou supérieur dans le panneau coulissant. Les galets doivent être positionnés sur l'extérieur du panneau coulissant.
- Sécuriser chaque galet avec une clé hexagonale.
- Pousser le joint magnétique A sur le bord du panneau coulissant le plus proche des trous. Le joint magnétique A doit être à ras du haut du panneau coulissant.



19. Installer le panneau de porte

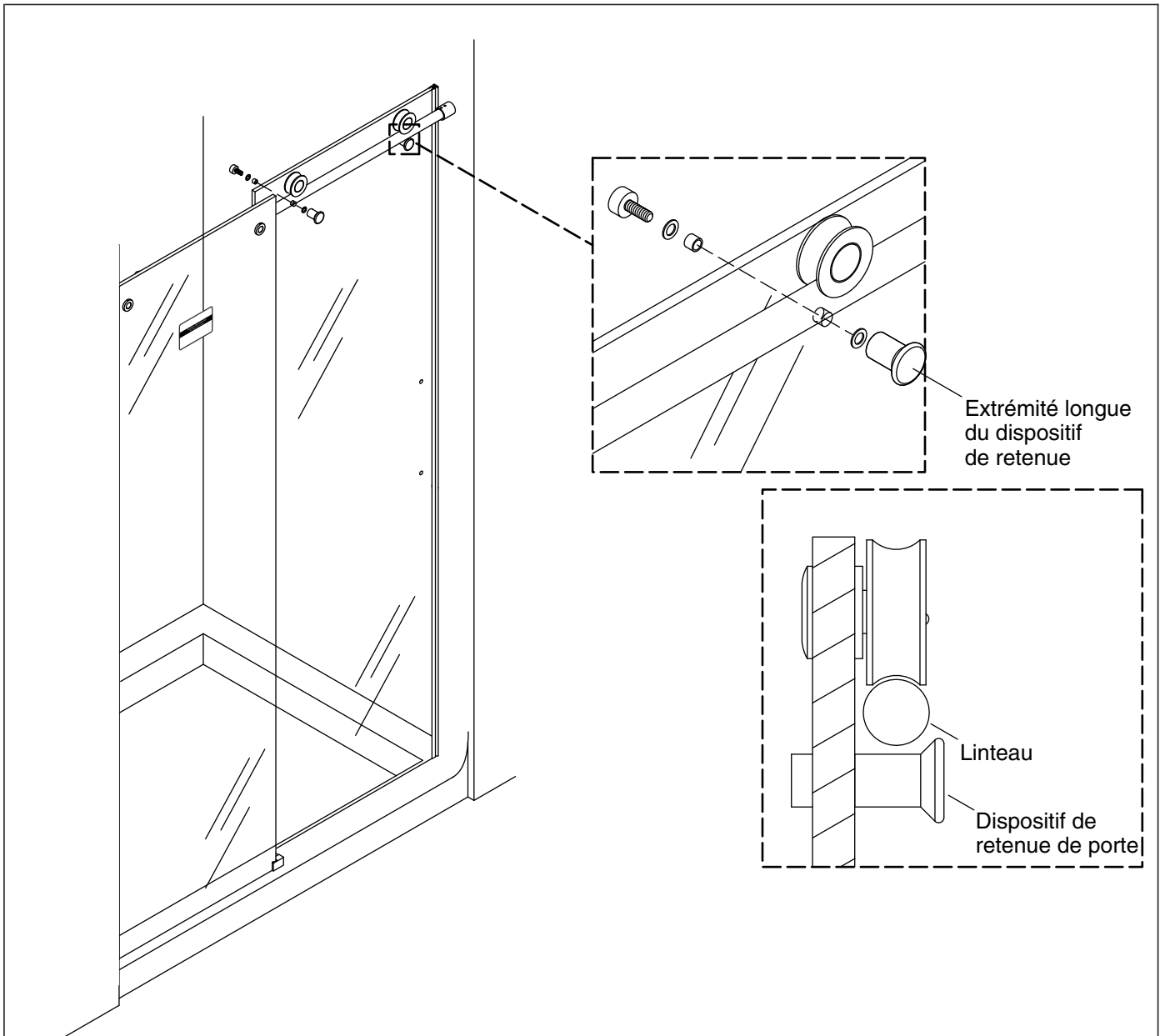
IMPORTANT! Demander l'aide d'un assistant pour soulever et installer la porte.

- Déplacer le panneau de porte à l'intérieur de la douche.
- À partir de l'intérieur de la douche, soulever le panneau de porte et poser le bord inférieur dans chaque canal arrière du guide central.
- Poser les deux galets sur le dessus du linteau.



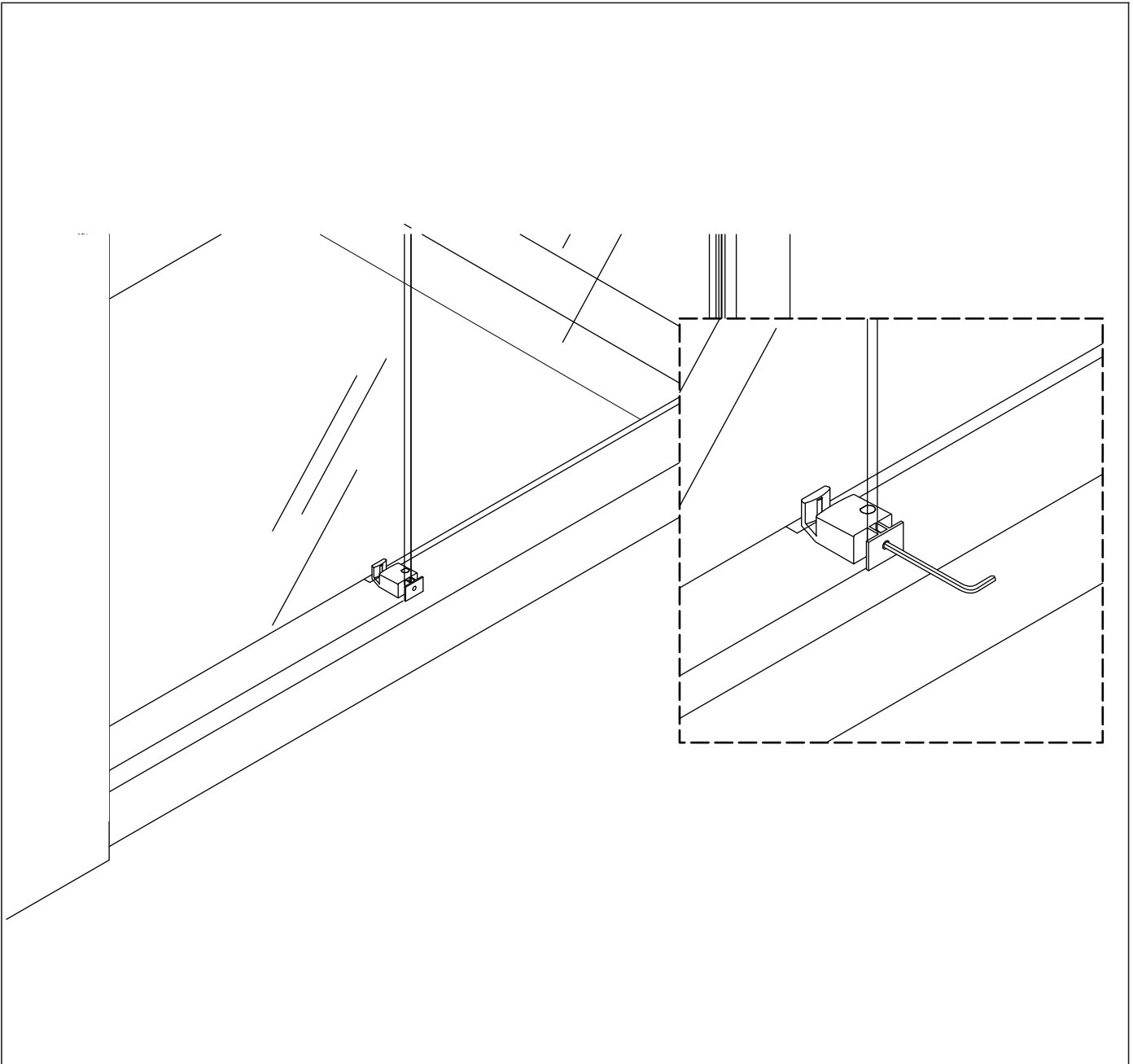
20. Ajuster le panneau coulissant

- Lorsque fermé, le panneau coulissant doit être à ras du mur. Si un écart est présent entre le mur et le panneau coulissant à un endroit quelconque le long de sa longueur, ajuster le panneau coulissant.
- À partir de l'intérieur de la douche, desserrer les vis de la monture des galets.
- Insérer une clé hexagonale dans le trou de réglage de la monture des galets et tourner pour ajuster.
- Ne pas laisser le panneau coulissant entrer en contact avec la base de la douche.
- Lorsque la porte se ferme à ras du mur dans le haut et le bas, serrer les vis de la monture des galets de manière sécuritaire.



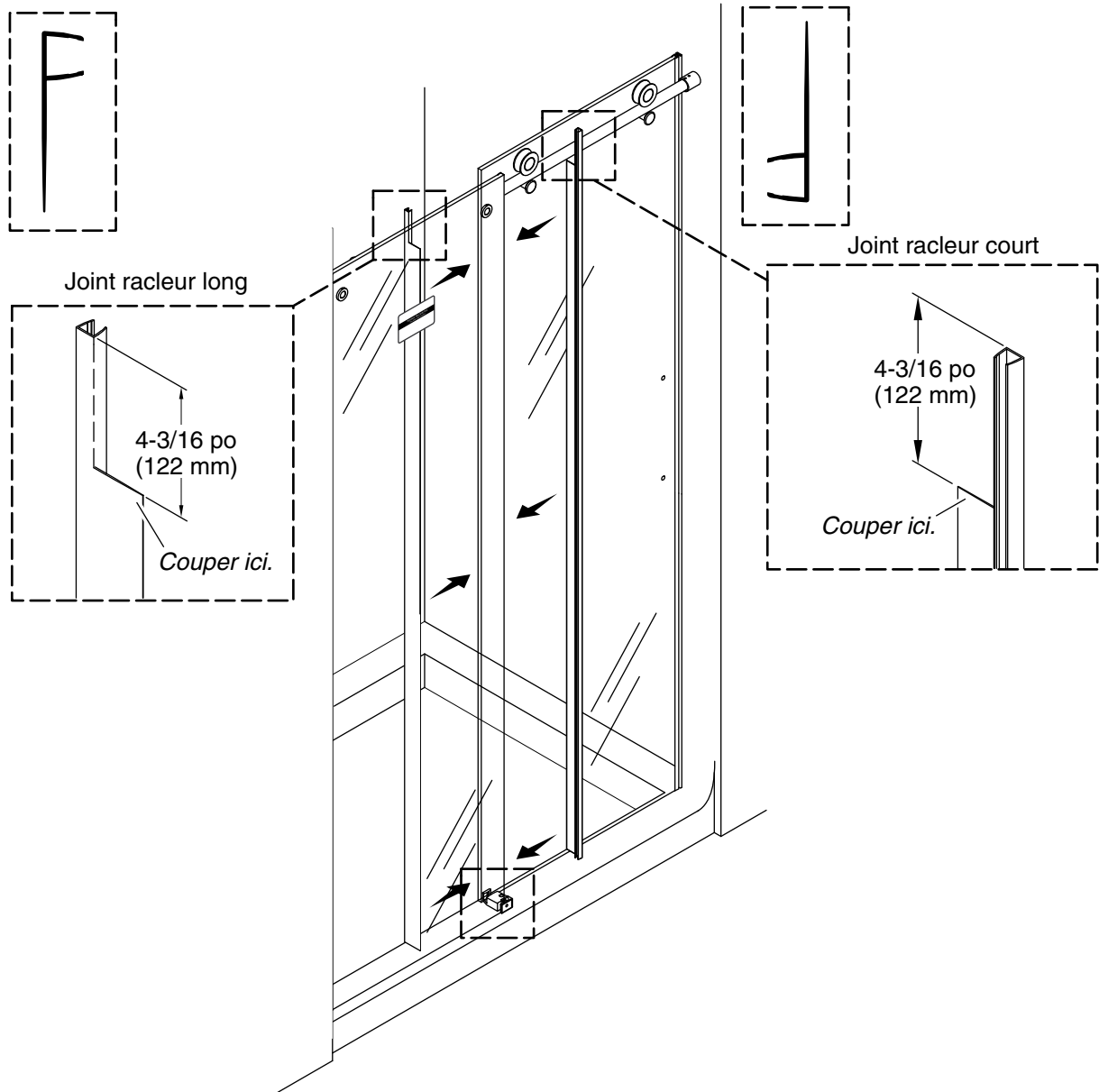
21. Installer les dispositifs de retenue de la porte

- Installer les dispositifs de retenue de la porte sur les trous situés dans le panneau coulissant en dessous des galets comme sur l'illustration. L'extrémité longue du dispositif de retenue est tournée vers l'extérieur de la douche.
- Les dispositifs de retenue de la douche peuvent être réglés en tournant le dispositif de retenue.
- Tourner le dispositif de retenue à la position souhaitée et le tenir pendant le serrage de la vis.
- Le dispositif de retenue doit être aussi près que possible du linteau sans toucher, frotter ou racler.



22. Finir l'installation du guide central

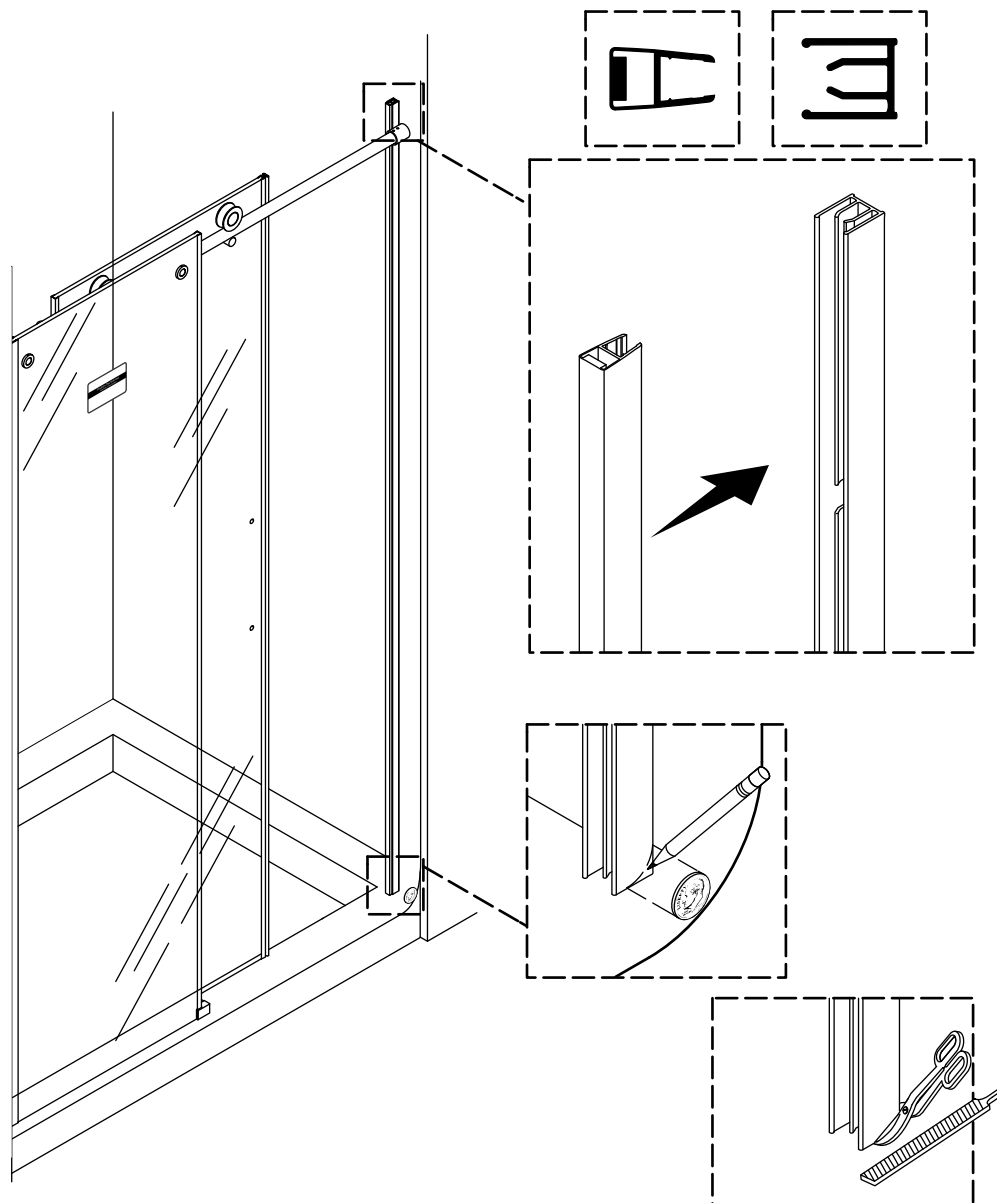
- Serrer la vis d'arrêt sur l'avant du guide central de manière à ce que la porte glisse sans difficulté.



23. Installer les joints racleurs de la porte

REMARQUE: Deux joints racleurs de longueurs légèrement différentes sont présents. Le joint racleur long est attaché sur le panneau coulissant. Le joint racleur court est attaché sur le panneau fixe.

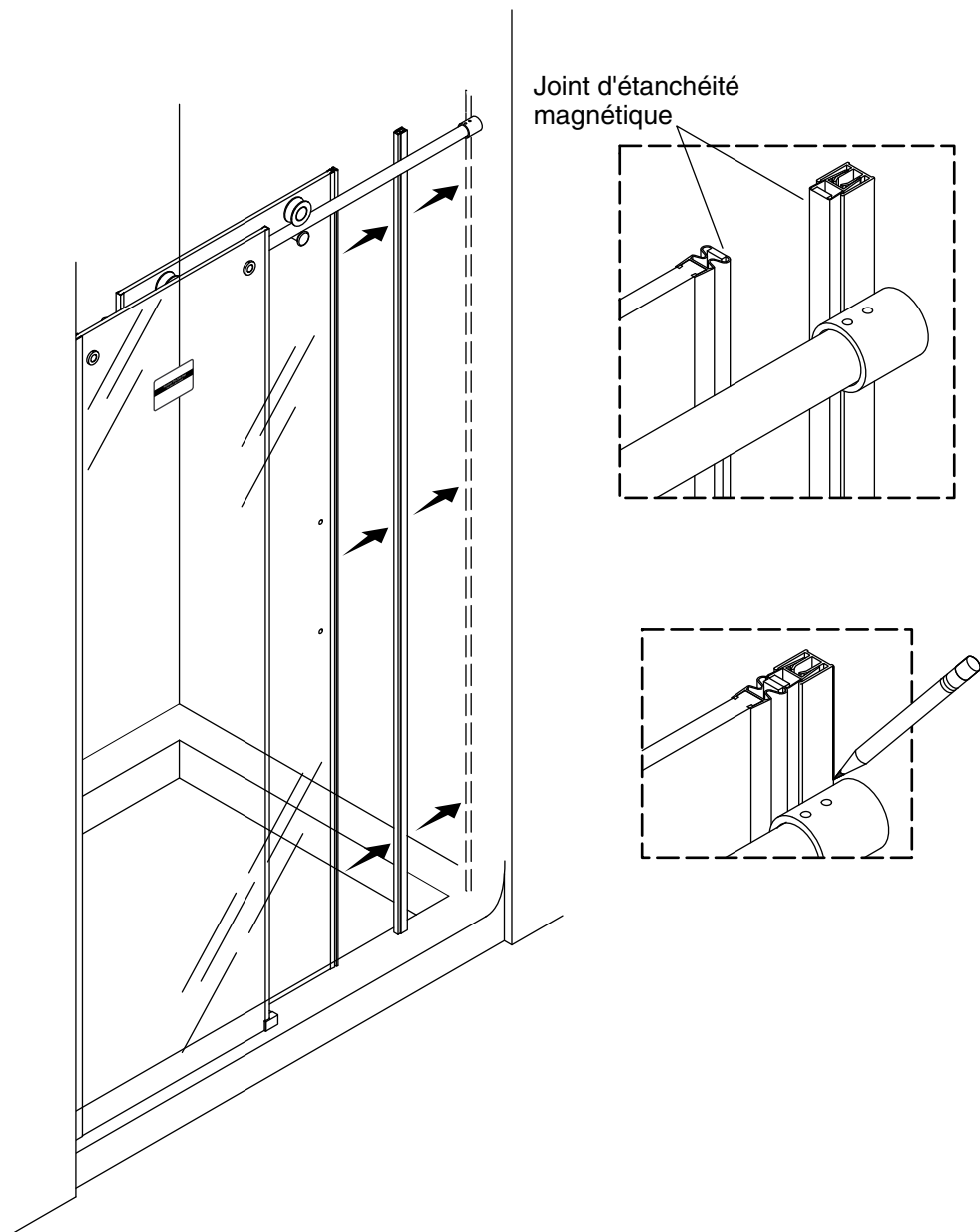
- Couper une entaille de 4-3/16 po (122 mm) dans le dessus du joint racleur long comme sur l'illustration.
- Enfoncer le joint racleur long sur le bord du panneau coulissant.
- Couper une entaille de 4-3/16 po (122 mm) dans le dessus du joint racleur court comme sur l'illustration.
- En commençant au niveau du guide central, enfoncer le joint racleur court sur le bord du panneau fixe, comme sur l'illustration.



24. Préparer le montant avec gâche

IMPORTANT! Le montant avec gâche doit bien s'adapter contre la base de la douche et le mur.

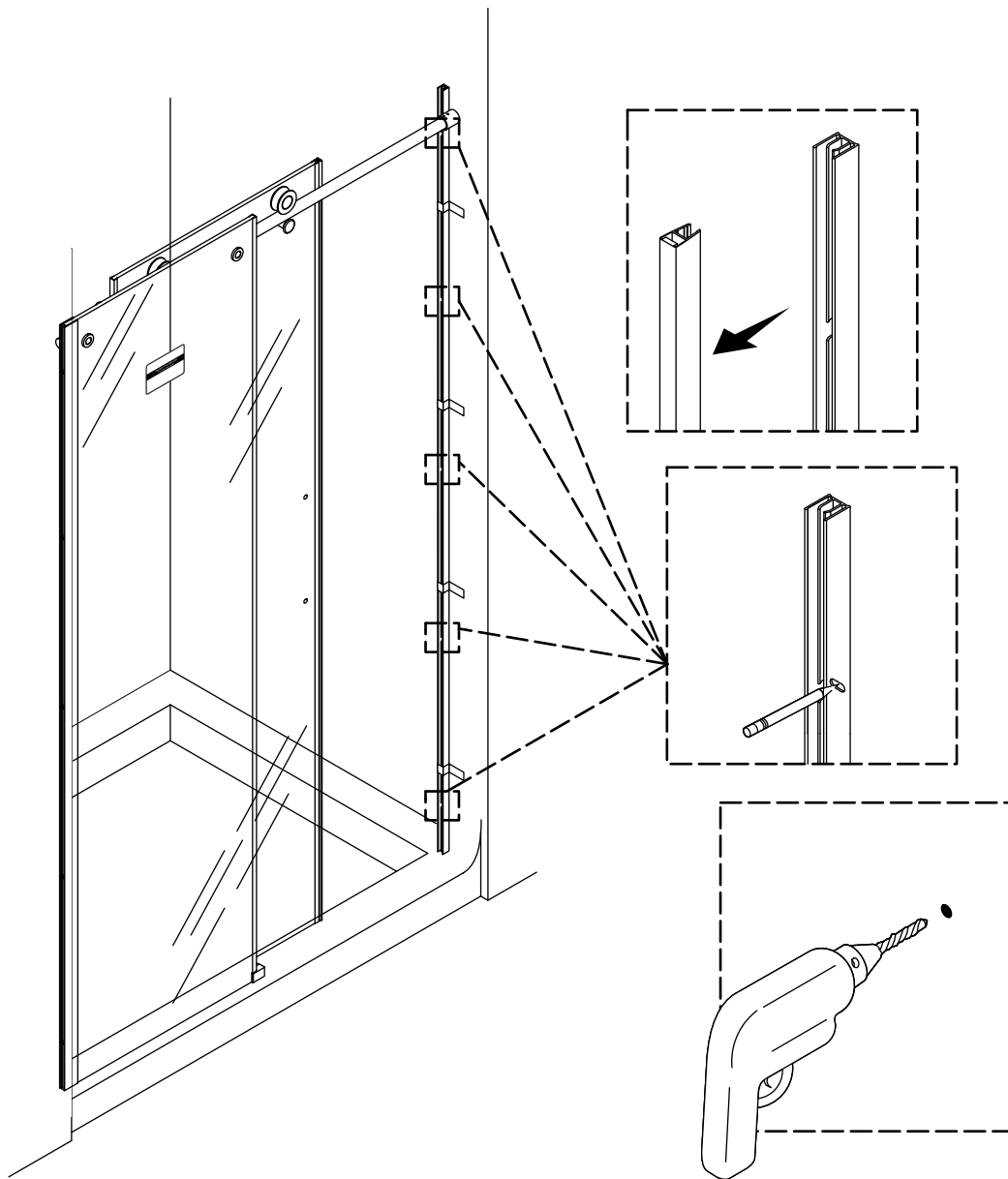
- Positionner le montant avec gâche contre le mur de manière à ce qu'il se trouve à l'intérieur du linteau comme sur l'illustration.
- Retirer le montant avec gâche. Si nécessaire, former et limer le coin inférieur pour qu'il s'adapte contre le mur de la douche. Utiliser une pièce de monnaie pour faire correspondre et transférer le rayon de bec.
- Enfoncer le joint magnétique B dans le montant avec gâche.



25. Marquer l'emplacement du montant avec gâche

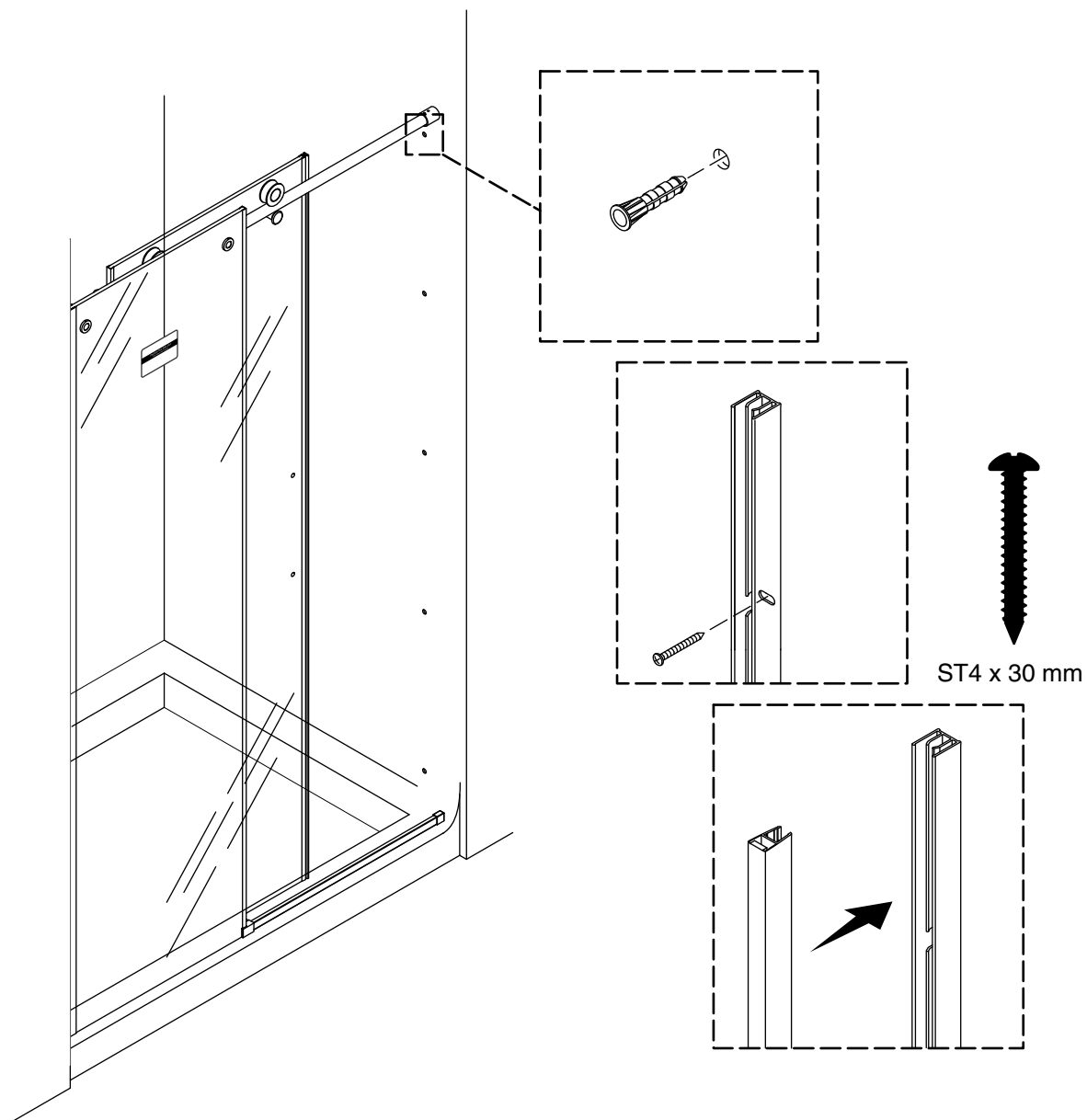
IMPORTANT! Le montant avec gâche doit bien s'adapter contre la base de la douche et le mur.

- Attacher le joint magnétique sur le joint d'étanchéité qui est déjà installé sur le bord du panneau coulissant.
- Glisser la porte pour la fermer, de manière à ce que le montant avec gâche soit à ras du mur.
- Mettre le montant avec gâche d'aplomb.
- Marquer l'emplacement du montant avec gâche sur le mur.



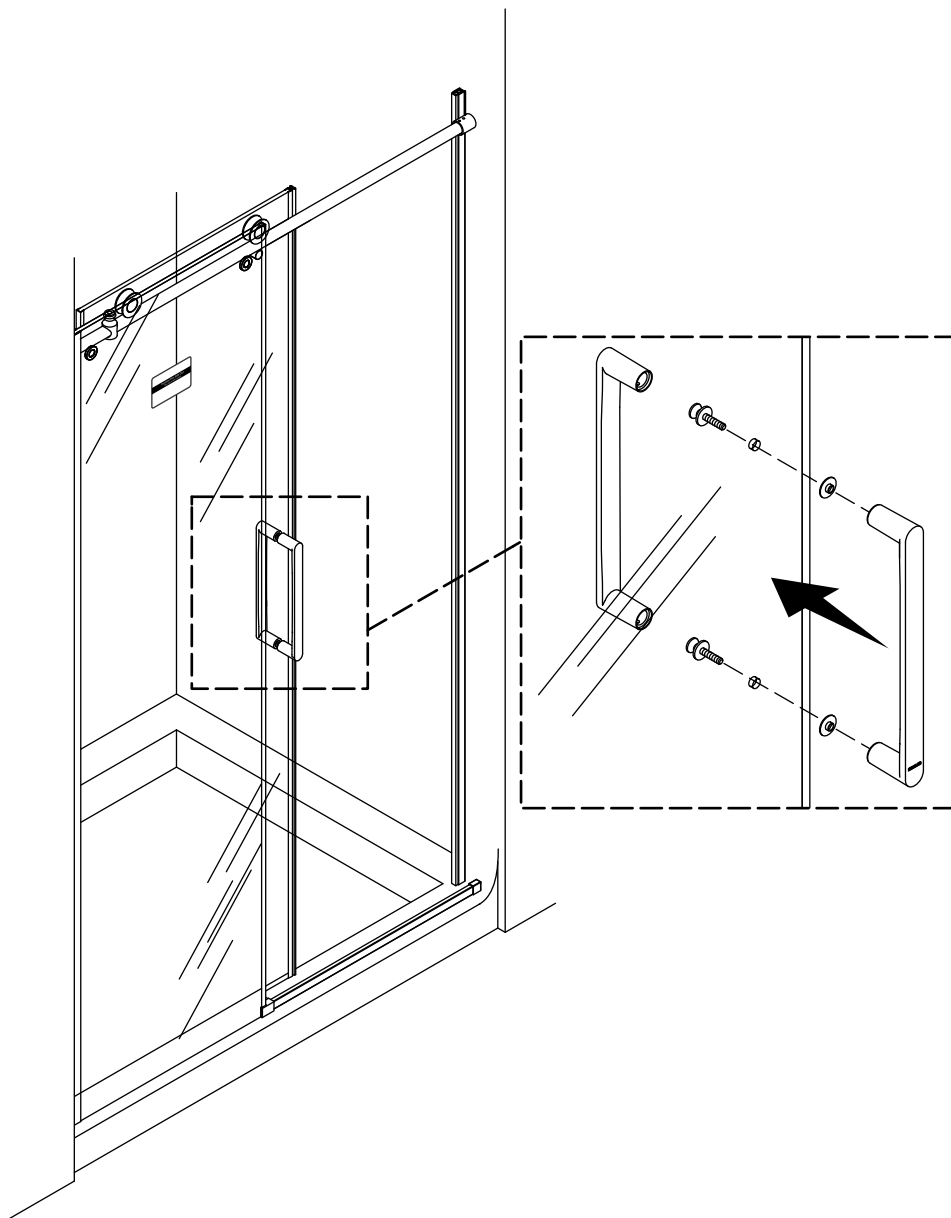
26. Marquer les trous du montant avec gâche

- Ouvrir la porte et retirer le joint magnétique B et le montant avec gâche de la porte.
- Retirer le joint magnétique B du montant avec gâche.
- Aligner le montant avec gâche sur le repère situé sur le mur et sécuriser avec du ruban.
- Marquer les cinq trous.
- Retirer le montant avec gâche.
- Percer un trou de 1/4 po sur chacun des repères. Utiliser une mèche à maçonnerie pour les murs à carrelage.



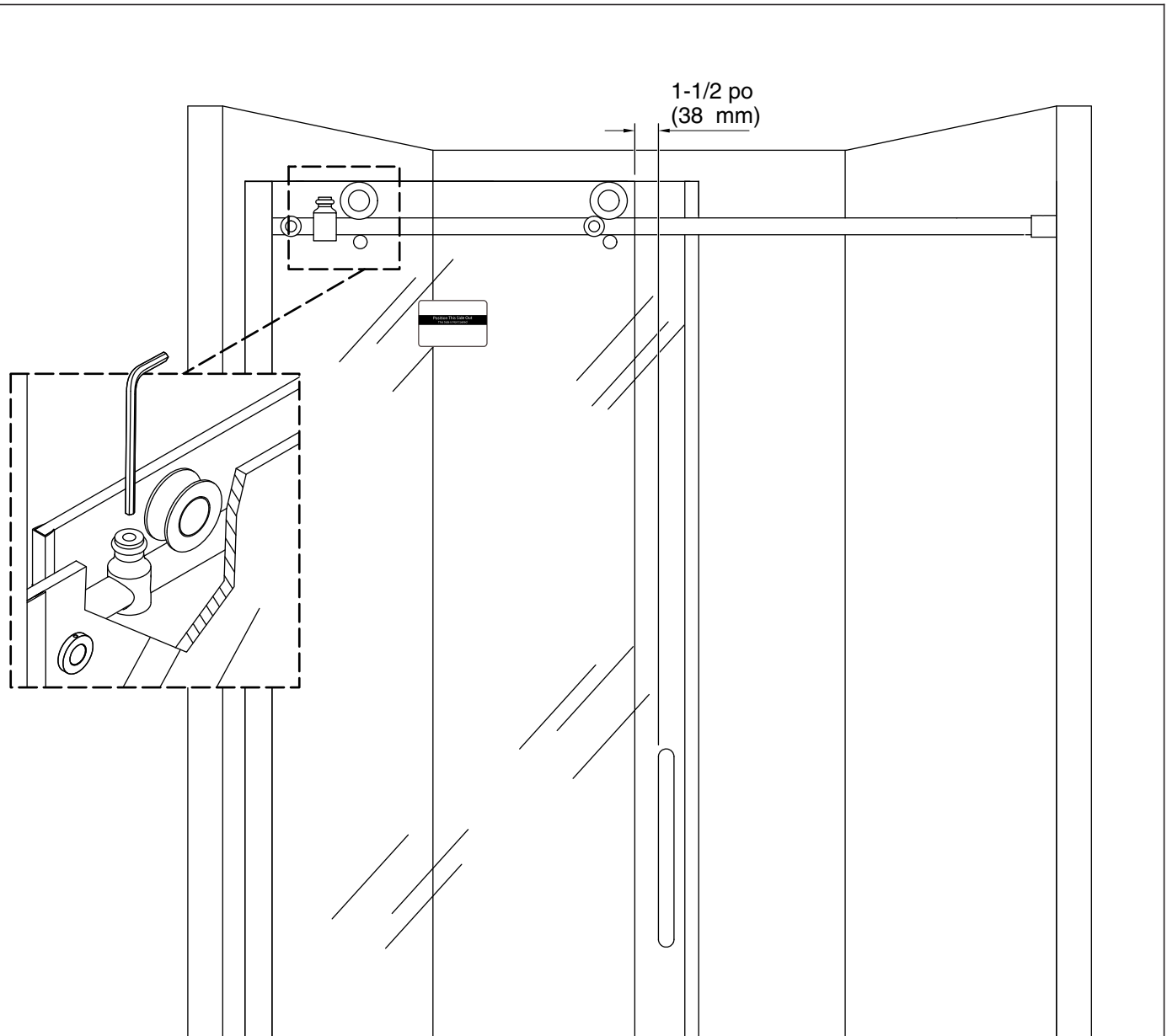
27. Installer le montant avec gâche

- Installer les chevilles d'ancrage de mur fournies. Si nécessaire, taper doucement sur les chevilles d'ancrage jusqu'à ce qu'elles soient à ras du mur.
- Remettre le montant avec gâche en place et aligner avec les trous des chevilles d'ancrage.
- Sécuriser le montant avec gâche avec cinq des vis ST4 x 30 mm fournies.
- Remettre le joint magnétique B du montant avec gâche en place.



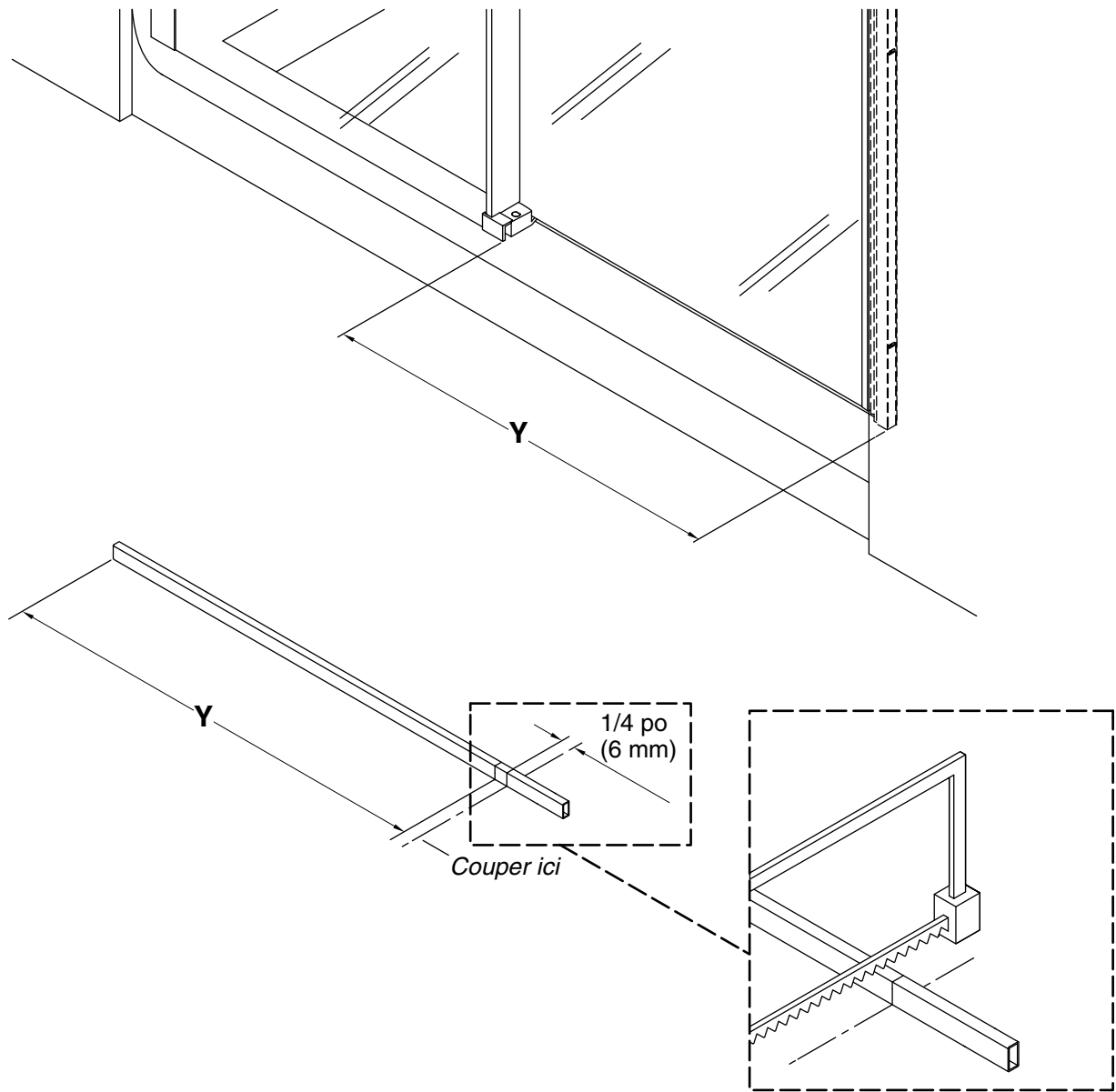
28. Installer les poignées

- Placer une bague dans chaque côté de chaque trou de poignée. À partir de l'intérieur de la douche, pousser un boulon à travers chaque trou de poignée.
- Avec le lettrage « KOHLER » dans le bas, poser la poignée extérieure par-dessus les boulons. Enfiler les boulons dans la poignée.
- Serrer les boulons avec un tournevis pour écrous à fentes. Ne pas trop serrer!
- Installer la poignée intérieure par-dessus les boulons.
- Sécuriser la poignée intérieure avec les deux vis d'arrêt. Serrer avec la clé hexagonale de 2,5 mm fournie.



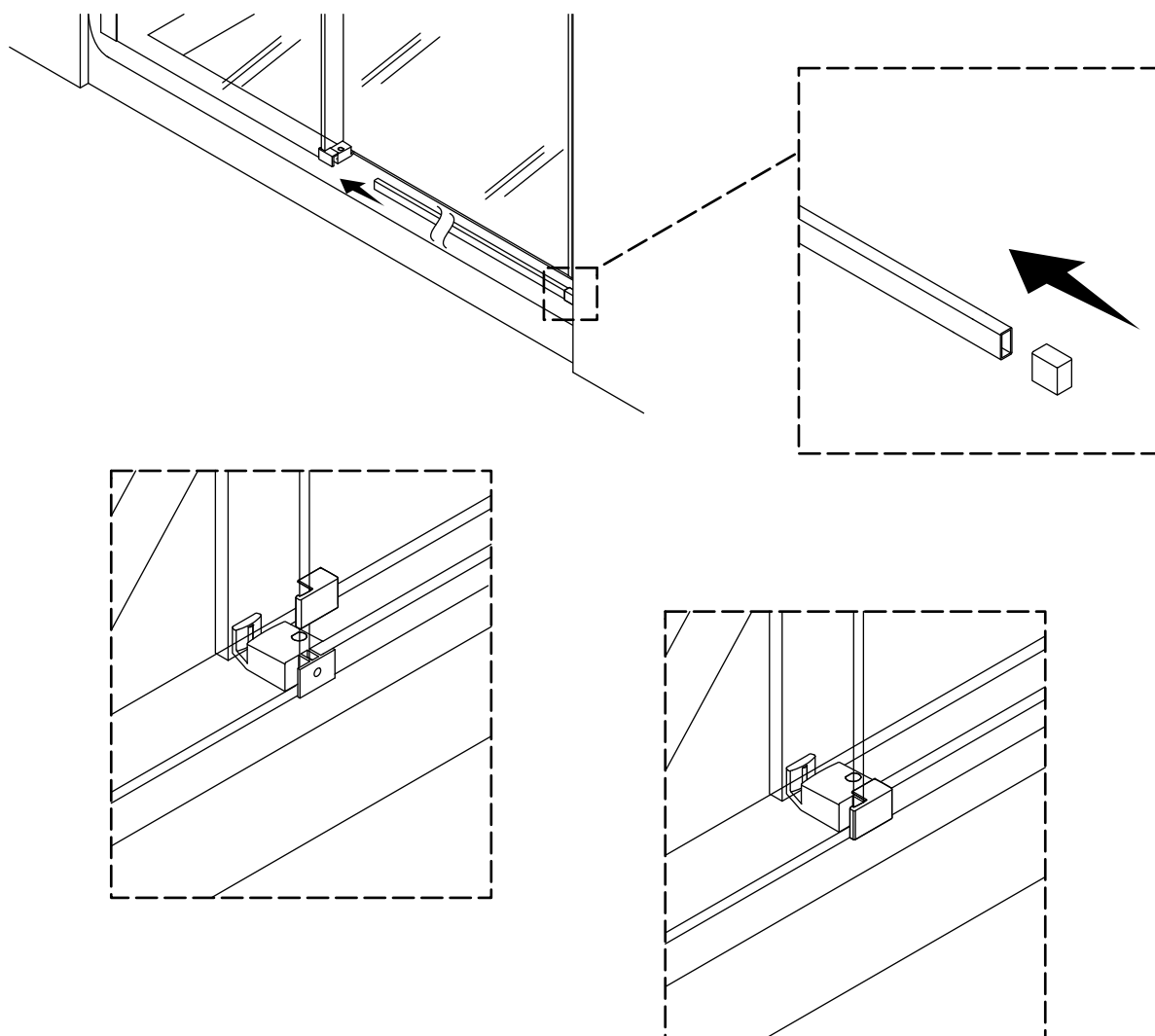
29. Positionner le butoir

- Glisser la porte en position ouverte jusqu'à ce que la poignée se trouve à 1-1/2 po (38 mm) du panneau fixe.
- Glisser le butoir le long du linteau jusqu'à ce qu'il entre en contact avec le galet.
- Serrer la vis d'arrêt **de manière sécuritaire** avec la clé hexagonale.



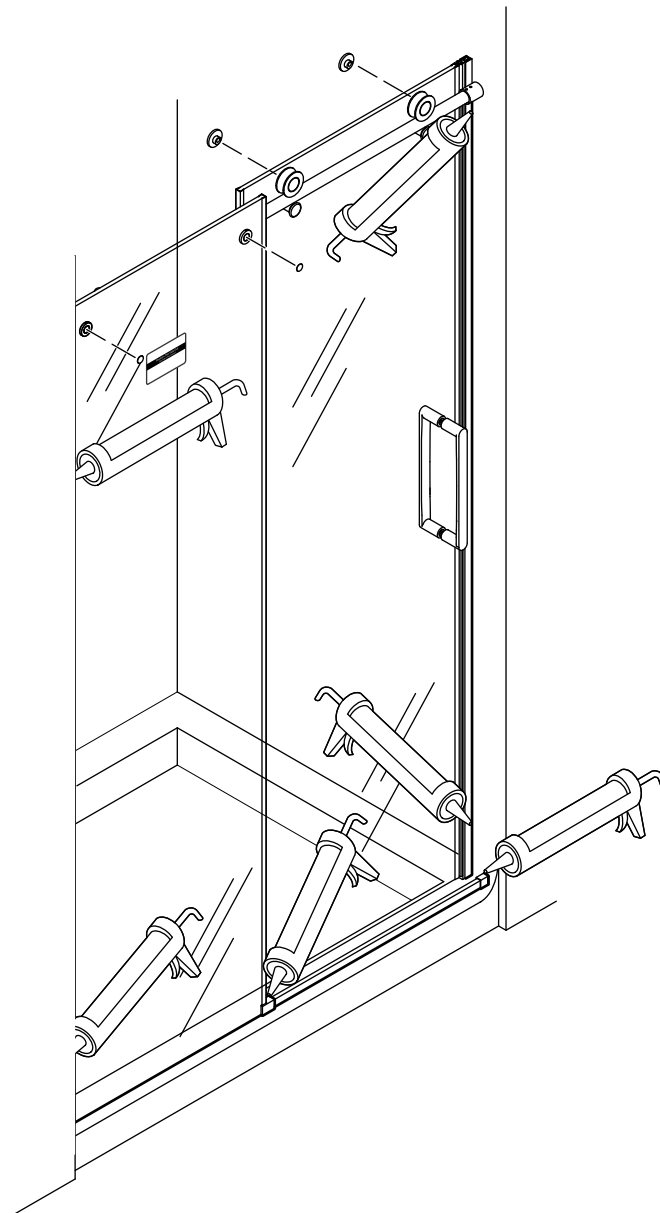
30. Installer le seuil

- Si nécessaire, former et limer le coin inférieur du seuil et le coin du seuil pour qu'il s'adaptent contre le mur de la douche. Utiliser une pièce de monnaie pour faire correspondre et transférer le rayon.
- Mesurer la distance « Y » entre le centre du guide central et le mur sur le côté du montant avec gâche.
- Marquer « Y » sur le seuil.
- Mesurer 1/4 po (6 mm) à partir de « Y » et mettre un deuxième repère sur le seuil comme sur l'illustration.
- Couper le seuil au niveau du deuxième repère et limer tous les bords bruts.



31. Installer le seuil

- Glisser le capuchon du seuil sur l'extrémité du seuil.
- Glisser l'extrémité du seuil dans le guide central.
- Enclencher le capuchon du guide central choisi dans la section « Déterminer la configuration de la porte » vers le bas par-dessus le guide central.



32. Sceller la porte de la douche

- Enclencher les capuchons par-dessus la monture du linteau et les vis des galets.
- Appliquer du mastic à la silicone à 100% le long des bords de l'intérieur et de l'extérieur de la douche.

Entretien et nettoyage

Pour obtenir les meilleurs résultats possibles, prendre ce qui suit en considération lors de l'entretien de votre produit KOHLER :

- Toujours tester la solution de nettoyage sur une surface non visible avant de l'appliquer sur l'ensemble de la surface.
- Essuyer les surfaces et rincer complètement avec de l'eau immédiatement après l'application du nettoyant. Rincer et sécher tout éclaboussement sur les surfaces avoisinantes.
- Ne pas laisser les nettoyants tremper sur les surfaces.

Entretien et nettoyage (cont.)

- Utiliser une éponge ou un chiffon doux et humide. Ne jamais utiliser de matériau abrasif comme une brosse ou une éponge à récuser pour nettoyer les surfaces.
- La technique de nettoyage idéale est de bien rincer et d'essuyer le produit pour le sécher après chaque usage.

Pour obtenir des renseignements détaillés sur le nettoyage et les produits à considérer, consulter le site www.kohler.com/clean. Pour commander des renseignements sur le nettoyage, appeler le 1-800-456-4537.

Dépannage

Ce guide de dépannage est seulement destiné à fournir une aide d'ordre général. Pour des problèmes ou questions concernant l'entretien et l'installation, composer le 1-800-4-KOHLER.

Tableau de dépannage

Symptômes	Cause probable	Action recommandée
1. La porte fait du bruit lorsqu'elle est ouverte ou fermée.	<p>A. Le joint biseauté entre le panneau fixe et le montant de mur est manquant ou n'est pas complètement installé.</p> <p>B. Le galet du guide central est usé ou sale.</p> <p>C. Le panneau coulissant est trop bas et racle sur le guide central ou la base de la douche.</p> <p>D. Les galets sont usés et bruyants.</p>	<p>A. Installer le joint biseauté et l'enfoncer complètement en place conformément à la section « Installer le joint biseauté et assembler le linteau ».</p> <p>B. Retirer le panneau coulissant et nettoyer le galet du guide central. Remplacer le guide central si nécessaire.</p> <p>C. Ajuster les galets pour élever le panneau coulissant en suivant les instructions dans la section « Mettre le linteau de niveau ».</p> <p>D. Remplacer les galets.</p>
2. Il est difficile de déplacer la porte ou elle ne s'ouvre pas.	<p>A. Le panneau coulissant est trop bas et racle sur le guide central ou la base de la douche.</p> <p>B. Le galet du guide central est trop serré.</p>	<p>A. Ajuster les galets pour élever le panneau coulissant en suivant les instructions dans la section « Mettre le linteau de niveau ».</p> <p>B. Ajuster le galet du guide central pour relâcher la pression sur le panneau coulissant conformément aux instructions dans la section « Terminer l'installation du guide central ».</p>
3. Le panneau coulissant ne se ferme pas.	<p>A. Le panneau coulissant est trop bas et racle sur le guide central ou la base de la douche.</p>	<p>A. Ajuster les galets pour élever le panneau coulissant en suivant les instructions dans la section « Mettre le linteau de niveau ».</p>
4. La poignée frappe le panneau fixe lorsque la porte est ouverte.	<p>A. Le butoir n'a pas été positionné correctement ou il s'est déplacé.</p>	<p>A. Mettre le butoir dans l'emplacement correct conformément aux instructions dans la section « Positionner le butoir ». Serrer la vis d'arrêt de manière sécuritaire dans le butoir.</p>
5. Fuites d'eau.	<p>A. Des fuites d'eau sont présentes sous le panneau fixe.</p>	<p>A. Appliquer du mastic à la silicone à 100% sur le rebord extérieur du panneau fixe. Voir les instructions du fabricant du mastic à la silicone avant d'utiliser la douche.</p>

Dépannage (cont.)

Tableau de dépannage

Symptômes	Cause probable	Action recommandée
	<p>B. Fuites d'eau entre le mur et le montant de mur.</p> <p>C. Fuites d'eau entre le panneau coulissant et le montant avec gâche.</p> <p>D. Fuites d'eau entre le panneau coulissant et le panneau fixe.</p> <p>E. Fuites d'eau sous le panneau coulissant.</p> <p>F. Fuites d'eau sous la base de la douche ou le plancher de la salle de bains.</p>	<p>B. Appliquer du mastic à la silicone à 100% à l'emplacement où le montant entre en contact avec le montant de mur, à l'intérieur et à l'extérieur de la douche. Voir les instructions du fabricant du mastic à la silicone avant d'utiliser la douche.</p> <p>C. Ajuster les galets de manière à ce que le joint magnétique situé sur la porte entre en contact avec le joint magnétique situé sur le montant avec gâche de manière uniforme. Suivre les instructions dans la section « Ajuster le panneau coulissant ».</p> <p>D. Vérifier que les joints d'étanchéité verticaux sont installés correctement.</p> <p>E. Abaisser les galets de manière à ce que le panneau coulissant soit plus près de la base de la douche sans racler en suivant les instructions dans la section « Mettre le linteau de niveau ».</p> <p>F. Retirer le guide central. Appliquer du mastic à la silicone à 100% sur le trou percé, les filets des vis, et le fond du guide central. Réinstaller le guide central. Appliquer du mastic à la silicone à 100% autour du bord du guide central. Voir les instructions du fabricant du mastic à la silicone avant d'utiliser la douche.</p>







Guía de instalación

Puerta corrediza de ducha

Herramientas y materiales



Antes de comenzar

-  **ADVERTENCIA: Riesgo de lesiones graves.** Daños previos a la instalación podrían ocasionar que el vidrio se quiebre en pedazos. Antes de hacer la instalación, revise el vidrio y todas las piezas para ver si presentan daños.
-  **ADVERTENCIA: Riesgo de lesiones graves.** Si la instalación se hace de manera incorrecta, el vidrio podría quebrarse en pedazos. Siga todas las instrucciones de instalación.
-  **ADVERTENCIA: Riesgo de lesiones graves.** No corte el vidrio templado. El vidrio templado se quiebra en pedazos si se corta.
-  **ADVERTENCIA: Riesgo de lesiones graves.** El panel de la puerta y los paneles laterales de la ducha podrían quebrarse en pedazos. Revise con regularidad el vidrio y todas las piezas para ver si presentan daños, si algo falta o si hay piezas sueltas.
-  **ADVERTENCIA: Riesgo de lesiones graves.** Siempre utilice anteojos de seguridad al cortar y al taladrar.
-  **PRECAUCIÓN: Riesgo de lesiones personales.** El vidrio templado no debe hacer contacto con superficies duras, pues podría quebrarse en pedazos. No toque el borde de un panel de vidrio templado con herramientas ni con ningún otro objeto duro.

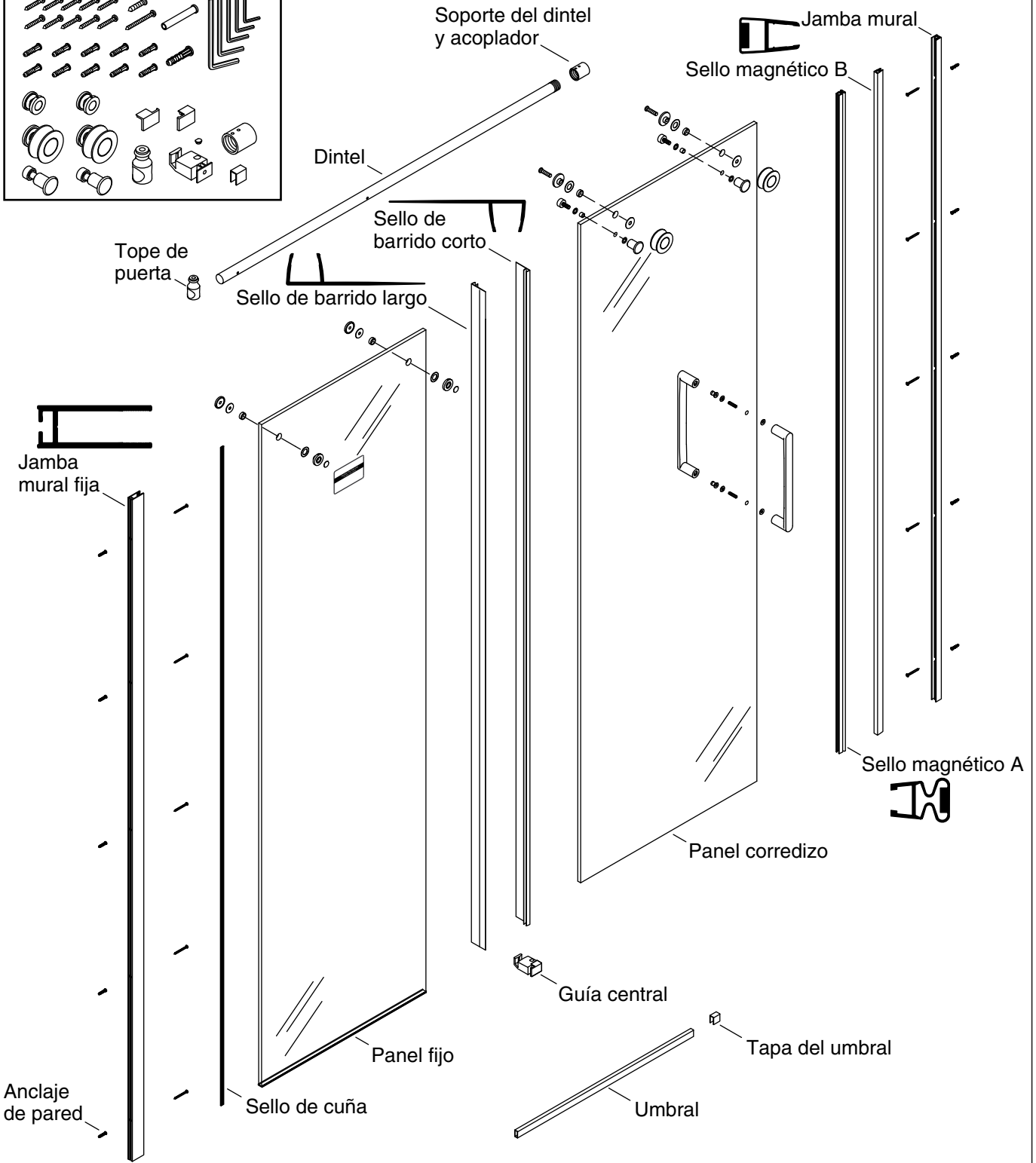
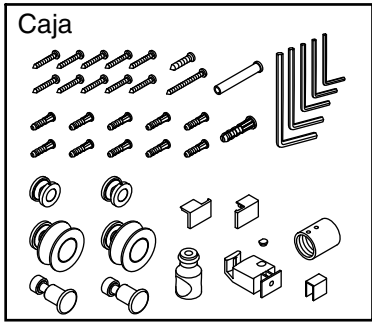
¡IMPORTANTE! Deje este manual para el usuario final. Lea estas instrucciones antes de instalar o de utilizar este producto.

¡IMPORTANTE! Esta puerta está diseñada para paredes que estén a menos de 3/8" (10 mm) de estar a plomo. Verifique que el área donde se vaya a fijar la puerta esté menos de 3/8" (10 mm) de estar a plomo. Es posible que la puerta no funcione correctamente si la pared está fuera de plomo más de 3/8" (10 mm).

¡IMPORTANTE! Esta puerta viene empacada en 2 cajas por separado. Asegúrese de tener ambas cajas antes de comenzar la instalación.

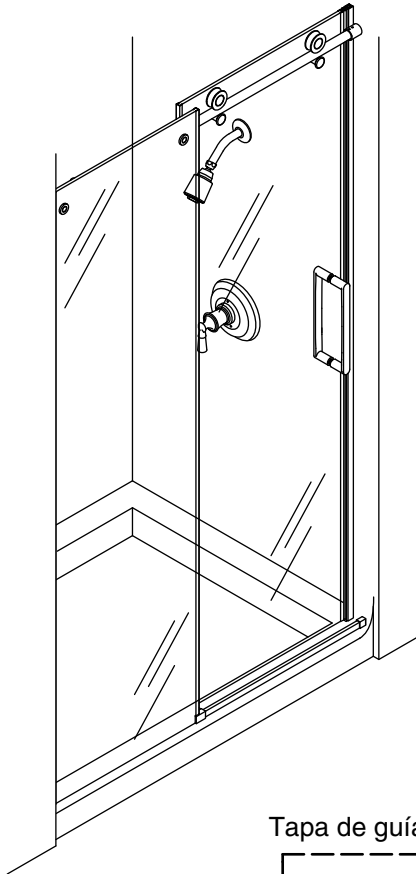
Antes de comenzar (cont.)

- Se recomienda instalar el panel de puerta corrediza en el mismo extremo de la ducha donde se encuentra la cabeza de ducha.
- No instale esta puerta sobre una base de ducha de hierro fundido.
- Cubra el desagüe con cinta adhesiva de enmascarar para evitar perder piezas pequeñas.
- Identifique todas las piezas antes de la instalación.
- Siga las instrucciones de aplicación y de tiempo de secado del fabricante del sellador de silicona.
- Se requieren dos personas para hacer esta instalación.

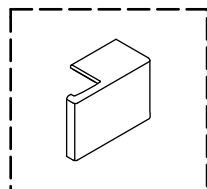


Identificación de piezas

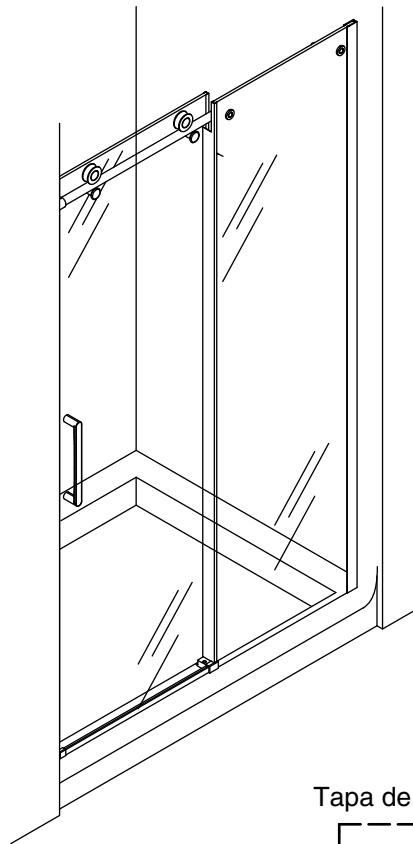
Abertura desde la derecha



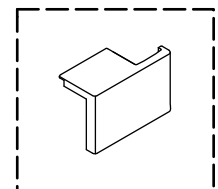
Tapa de guía central



Abertura desde la izquierda



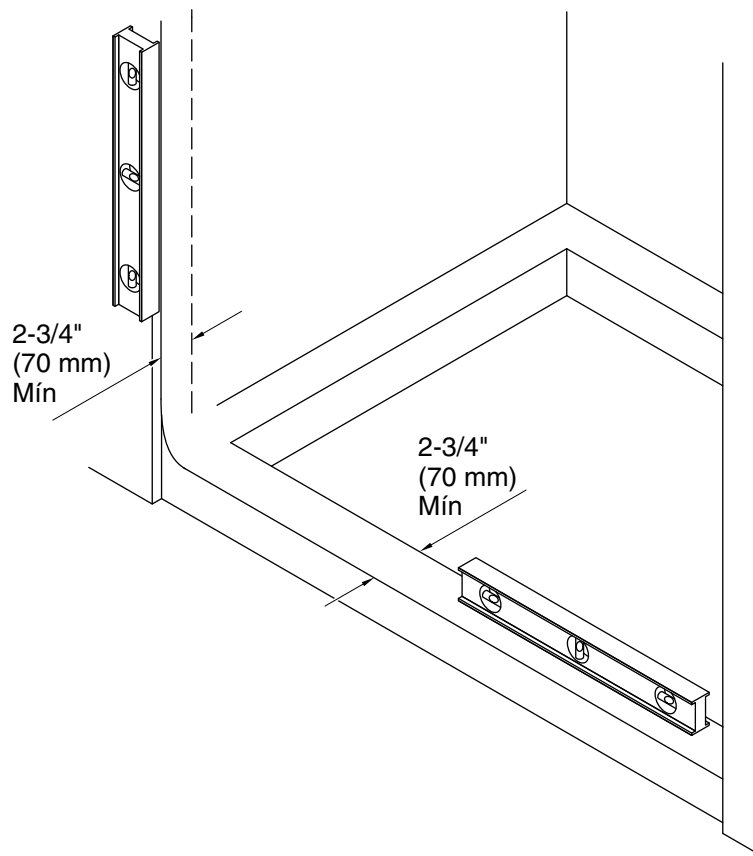
Tapa de guía central



1. Determine la configuración de la puerta

¡IMPORTANTE! En los pasos de instalación se muestra una configuración de abertura desde la derecha, a menos que se indique lo contrario.

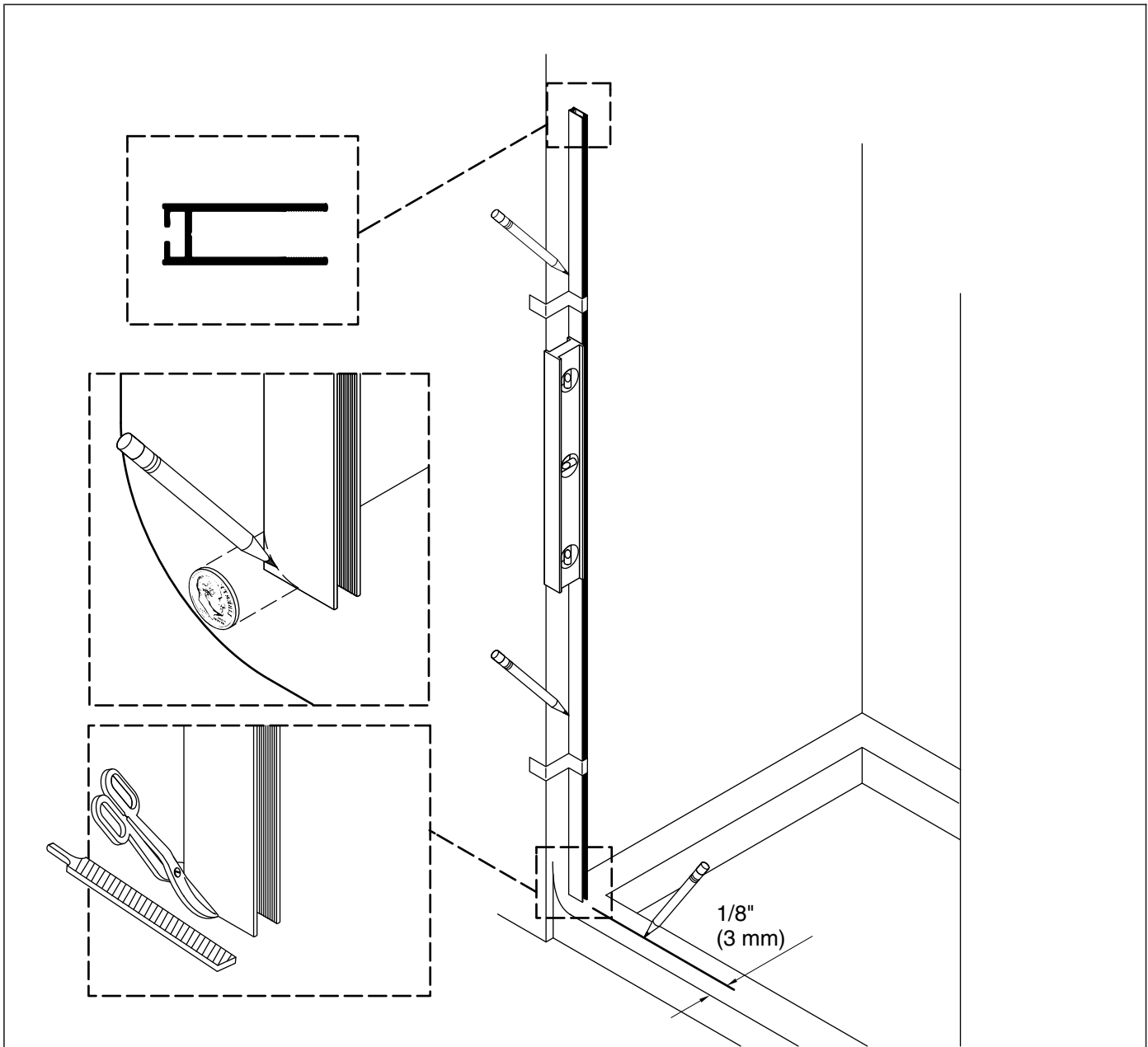
- Determine si la puerta va a ser instalada en una configuración de abertura desde la derecha o desde la izquierda.
- Se recomienda instalar el panel corredizo en el mismo extremo de la ducha donde se encuentra la cabeza de ducha.
- Elija la tapa de guía central que corresponda a la configuración de la puerta.



2. Confirme la compatibilidad

¡IMPORTANTE! Para asegurar la alineación y el funcionamiento correctos, confirme que la base de la ducha y las paredes cumplan los siguientes requisitos. **No instale la puerta** si no se cumplen estos requisitos.

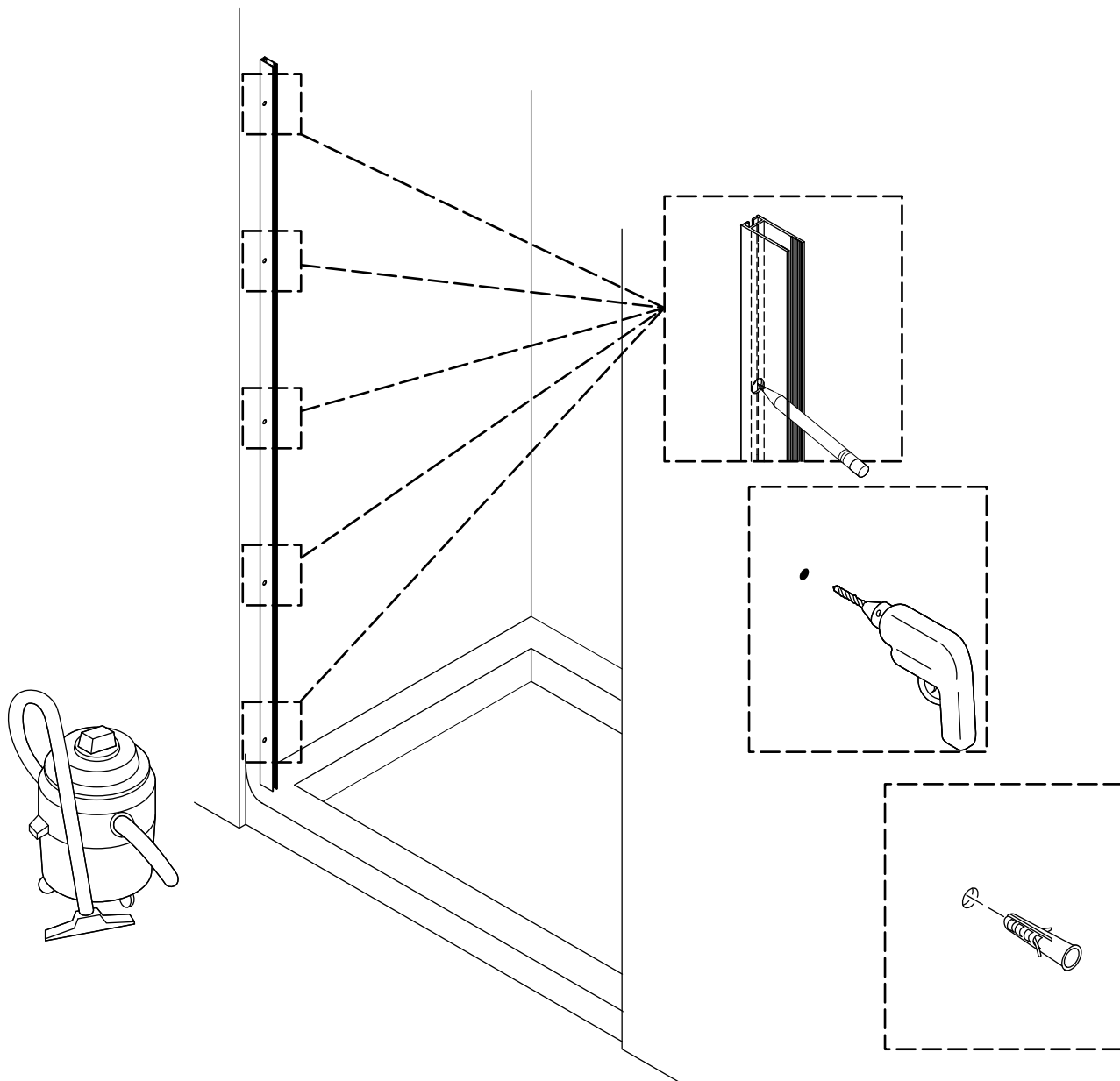
- La puerta 706080-L ha sido diseñada para ser instalada en aberturas para ducha entre 44-5/8" (1133 mm) y 47-7/8" (1216 mm) de ancho.
- La puerta 706081-L ha sido diseñada para ser instalada en aberturas para ducha entre 56-1/8" (1426 mm) y 59-7/8" (1521 mm) de ancho.
- Debe haber por lo menos 2-3/4" (70 mm) de superficie plana en la base de la ducha y en las paredes.
- Las paredes deben estar a menos de 3/8" (10 mm) de estar a plomo.
- La base de la ducha deben estar nivelados entre las paredes.
- No instale esta puerta sobre una base de ducha de hierro fundido.



3. Prepare la jamba mural

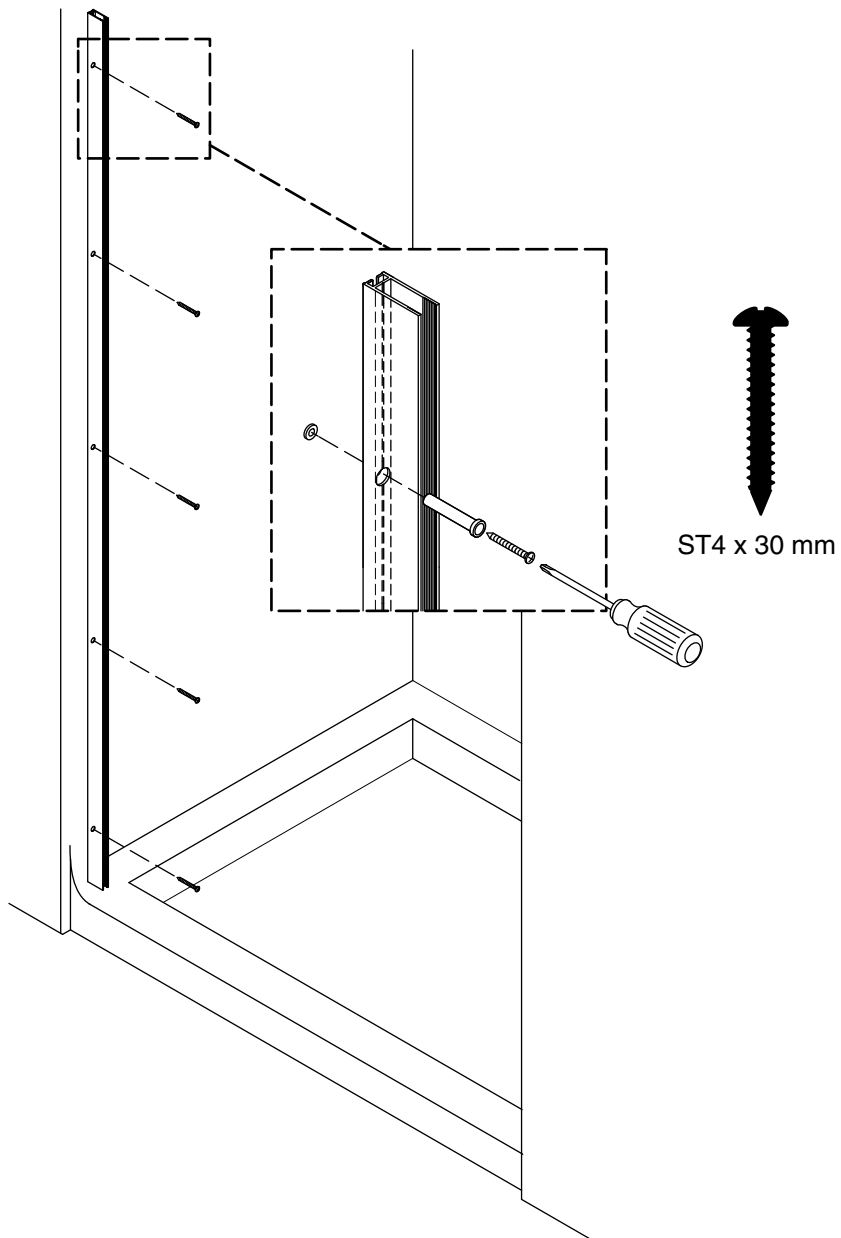
¡IMPORTANTE! La jamba mural debe quedar bien ajustada contra la base de la ducha y la pared.

- Coloque la jamba mural contra la pared de forma que quede a 1/8" (3 mm) del radio de la base de la ducha, como se muestra.
- De ser necesario, dé forma y lime la esquina inferior para que ajuste contra la pared de la ducha. Con una moneda igual y copie el radio de las esquinas.
- Coloque la jamba mural a plomo.
- Pegue bien la jamba mural en su lugar con cinta adhesiva de enmascarar, y marque este lugar.



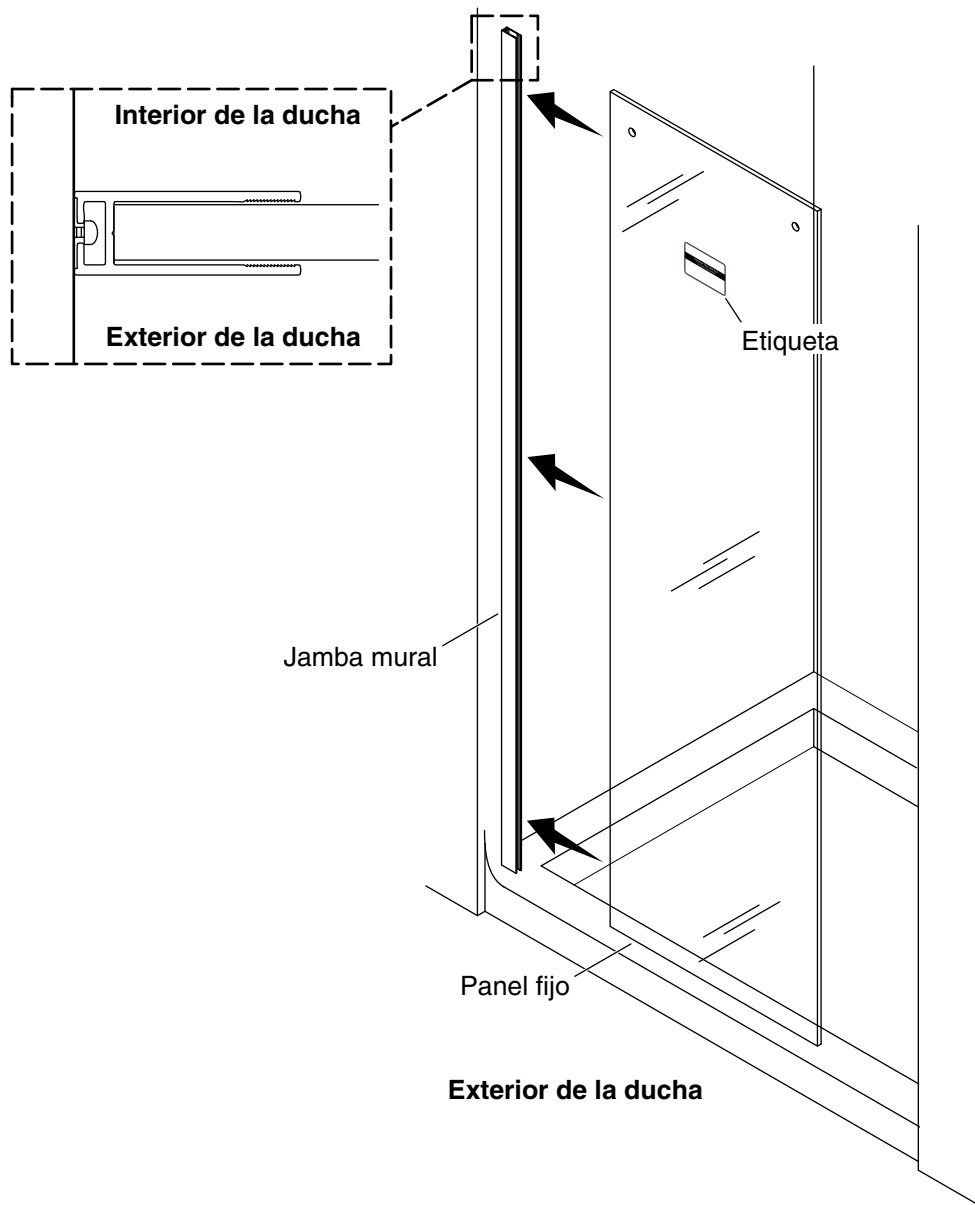
4. Marque los lugares para los orificios para la jamba mural

- Marque con un lápiz los 5 lugares para los orificios de anclaje de la jamba mural.
- Retire la jamba mural y colóquela a un lado.
- Taladre un orificio de 1/4 pulg. en cada lugar marcado. En paredes de azulejo use una broca para mampostería.
- Instale los anclajes de pared que se incluyen. De ser necesario, dé golpes ligeros a los anclajes hasta que queden al ras contra la pared.
- Limpie por completo la base de la ducha y las paredes.



5. Instale la jamba mural

- Vuelva a colocar la jamba mural a que quede alineada con los orificios de anclaje.
- Con una guía para tornillo, alinee cada tornillo y comience a atornillarlos.
- Fije la jamba mural con 5 de los tornillos ST4 x 30 mm, que se incluyen.



6. Instale el panel fijo



ADVERTENCIA: El panel fijo no queda bien asegurado en la jamba mural mientras el sello en cuña y el dintel no hayan sido instalados. Tenga cuidado mientras completa la instalación.

¡IMPORTANTE! Haga los siguientes pasos con un asistente.

¡IMPORTANTE! La etiqueta en el panel fijo debe quedar hacia el exterior de la ducha.

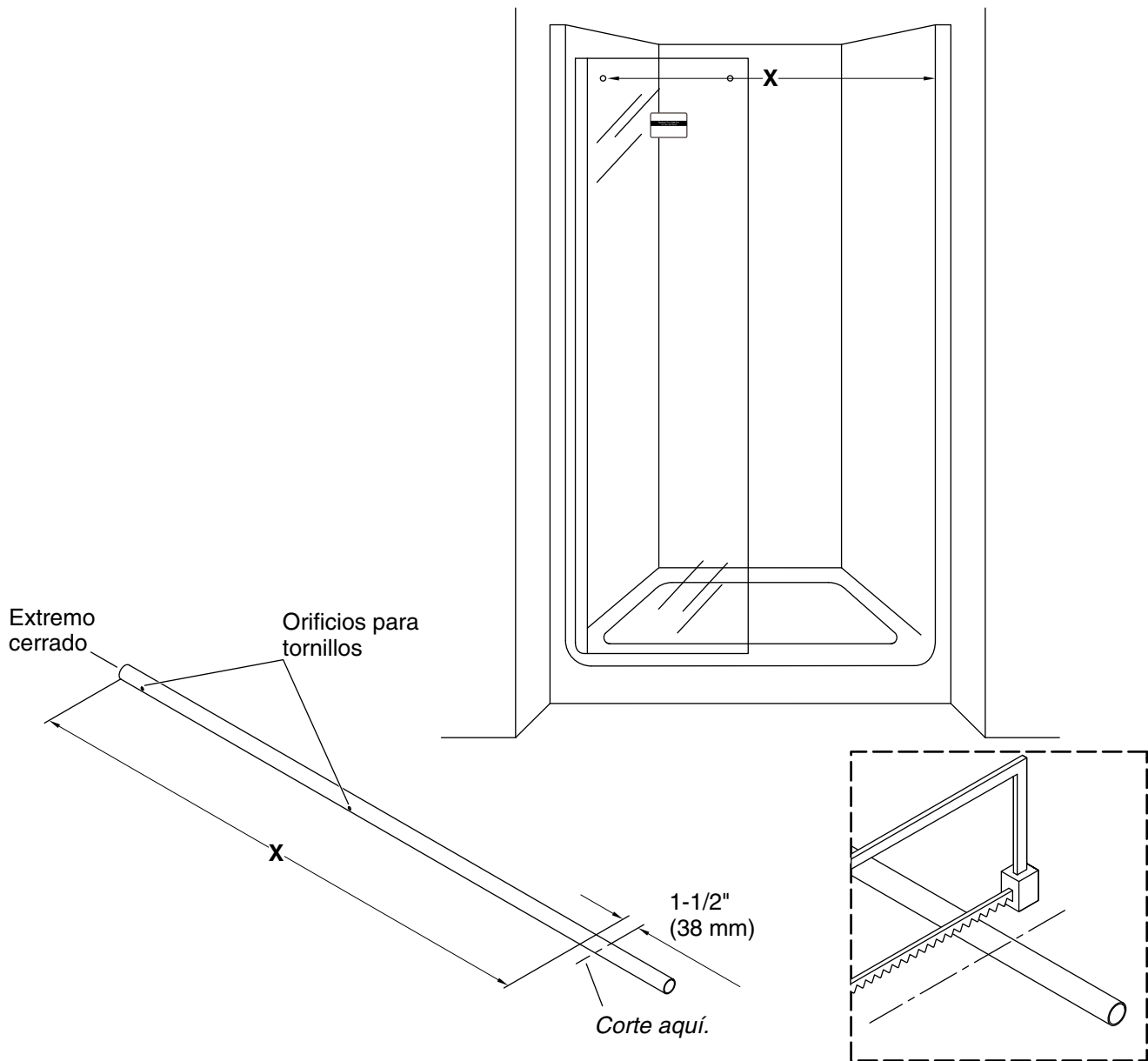
NOTA: El panel fijo puede ser identificado porque **solo** tiene 2 orificios en la parte superior.

NOTA: Asegúrese de que el sello de plástico transparente esté en el borde inferior del panel fijo para evitar daños a la base de la ducha.

- Retire los protectores triangulares de plástico de las esquinas del panel fijo.
- Con un asistente, mueva el panel fijo a su lugar con la etiqueta hacia el exterior de la ducha y los orificios en la parte superior.

Instale el panel fijo (cont.)

- Instale el panel fijo por completo en la jamba mural. El panel fijo no queda bien asegurado mientras el sello en cuña y el dintel no hayan sido instalados. Tenga cuidado mientras completa la instalación.
- Asegúrese de que el panel fijo quede a una distancia pareja del radio de la base de la ducha.

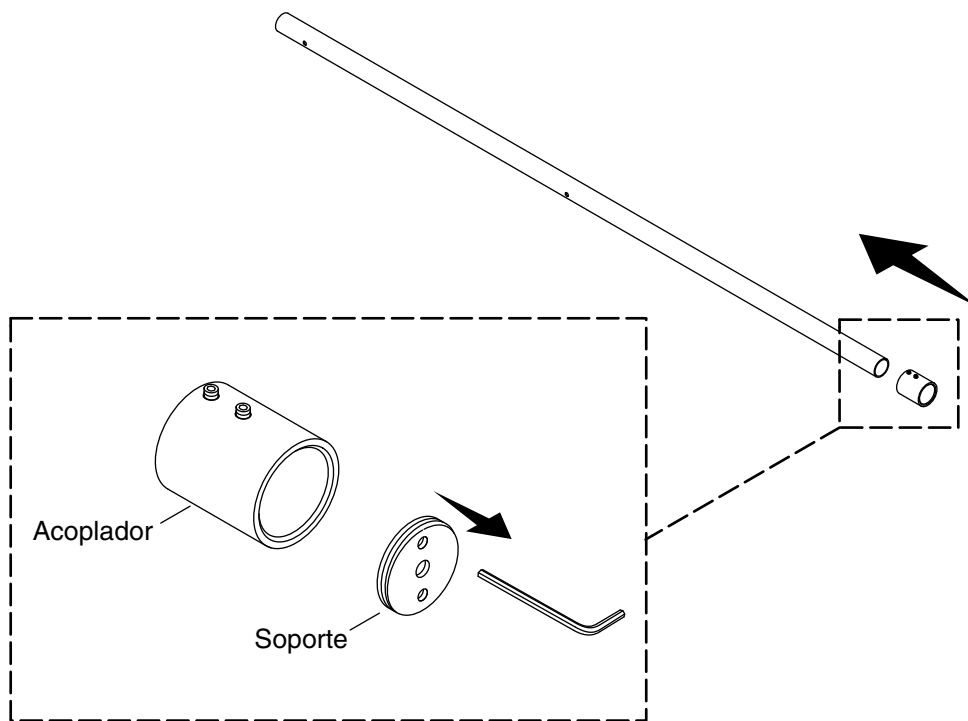


7. Mida y corte el dintel

¡IMPORTANTE! Confirme sus medidas antes de cortar. **No corte el dintel demasiado corto.**

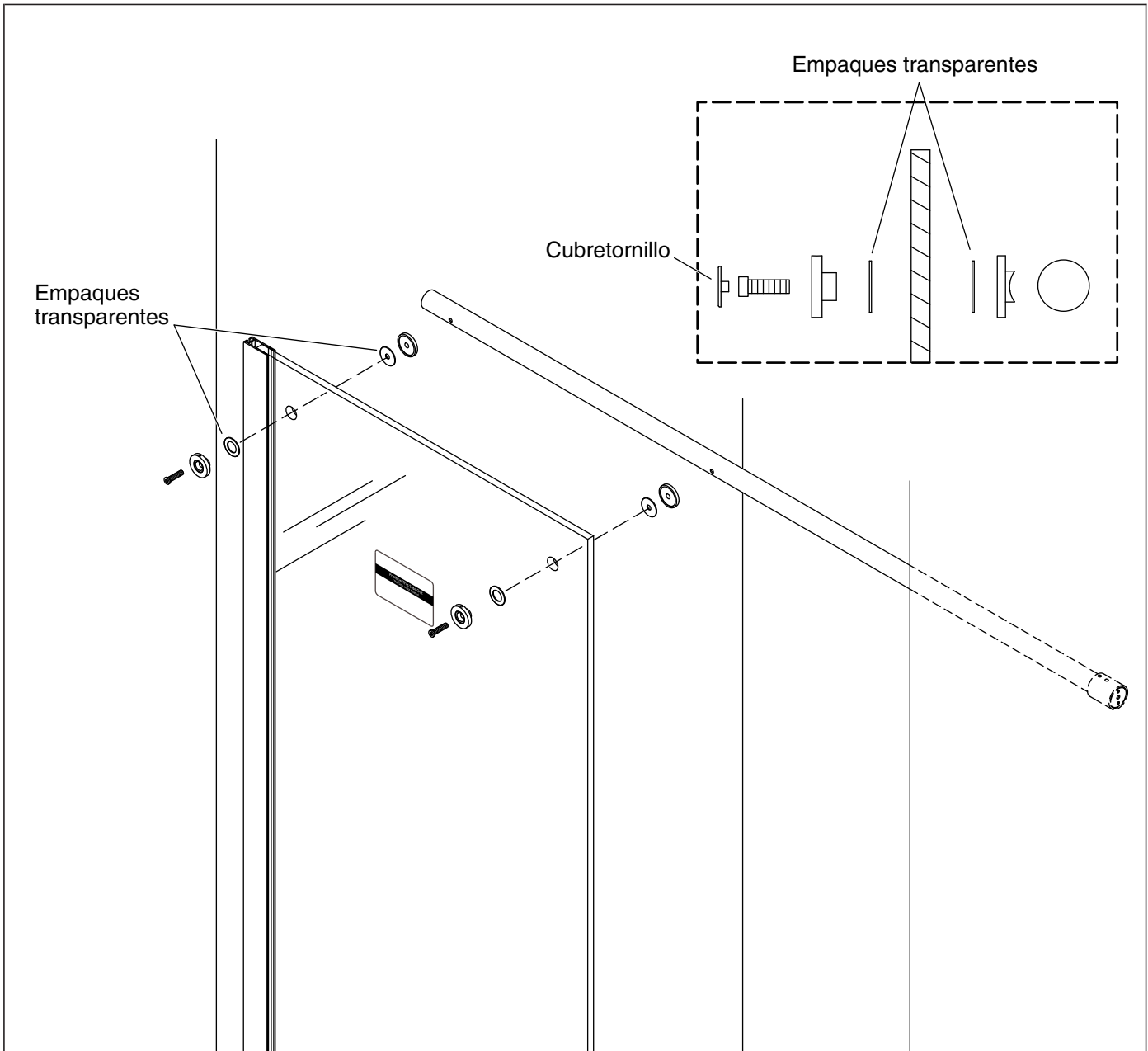
AVISO: Recomendamos usar una tronzadora para metales o una sierra circular para metales para recortar el dintel. Si no tiene una, una sierra de arco para metales y una caja de ingletes serían suficientes.

- Busque el orificio en el panel fijo más cercano a la pared. Mida la distancia "X" desde este orificio hasta la pared opuesta, como se muestra.
- Mida la distancia "X" desde el **extremo cerrado** del dintel (el más cercano a los orificios para tornillos). Haga una marca en "X" en el dintel.
- Mida 1-1/2" (38 mm) adicionales a partir de "X", como se muestra, y haga una segunda marca en el dintel. Si la segunda marca sobrepasa el extremo del dintel, no es necesario recortar el dintel.
- Corte el dintel en la segunda marca. Lime los bordes ásperos.



8. Ensamble el dintel

- Desatornille el soporte del acoplador, y colóquelo a un lado.
- Introduzca el acoplador en el dintel. Apriete los tornillos de fijación para sostener el acoplador en su lugar.

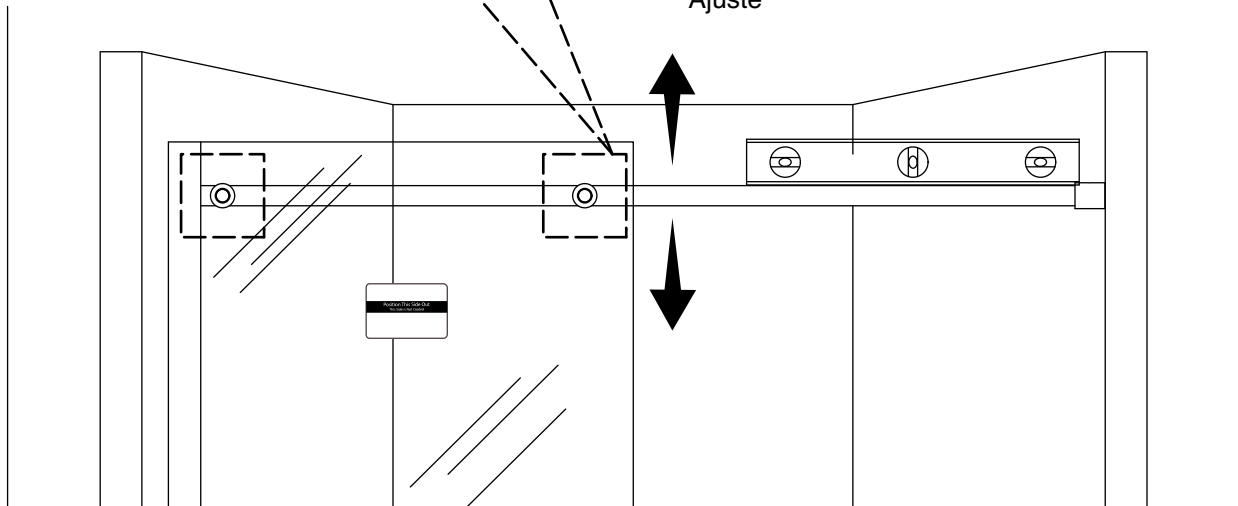
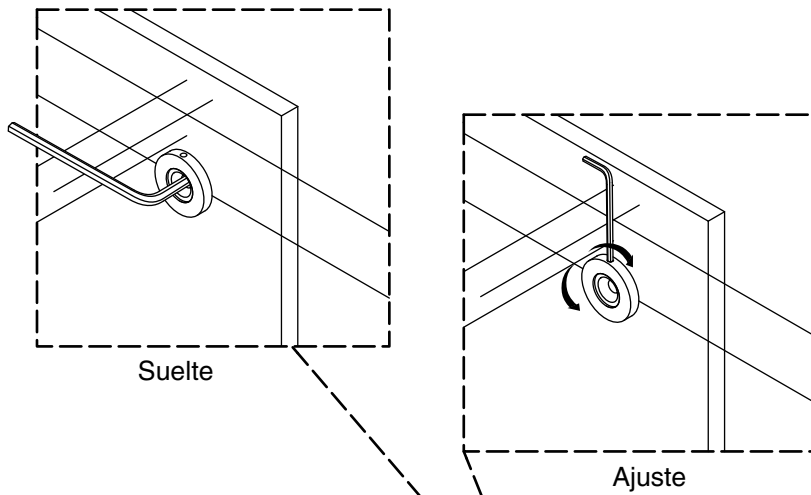


9. Instale el dintel

¡**IMPORTANTE!** El dintel se instala al panel fijo en el interior de la ducha.

NOTA: Retire los cubre tornillos del dintel y colóquelos a un lado.

- Ensamble los montajes del dintel en el panel fijo, como se muestra.
- Asegúrese de que los empaques transparentes estén en su lugar a ambos lados de los montajes del dintel. Podría ser difícil verlos.
- Desde el exterior de la ducha, empuje un perno de cabeza hexagonal a través de cada montaje y atorníllelo en los orificios para tornillos en el dintel. **¡No apriete demasiado!**
- Asegúrese de que el dintel quede asentado por completo en las superficies curvas de los montajes del dintel.

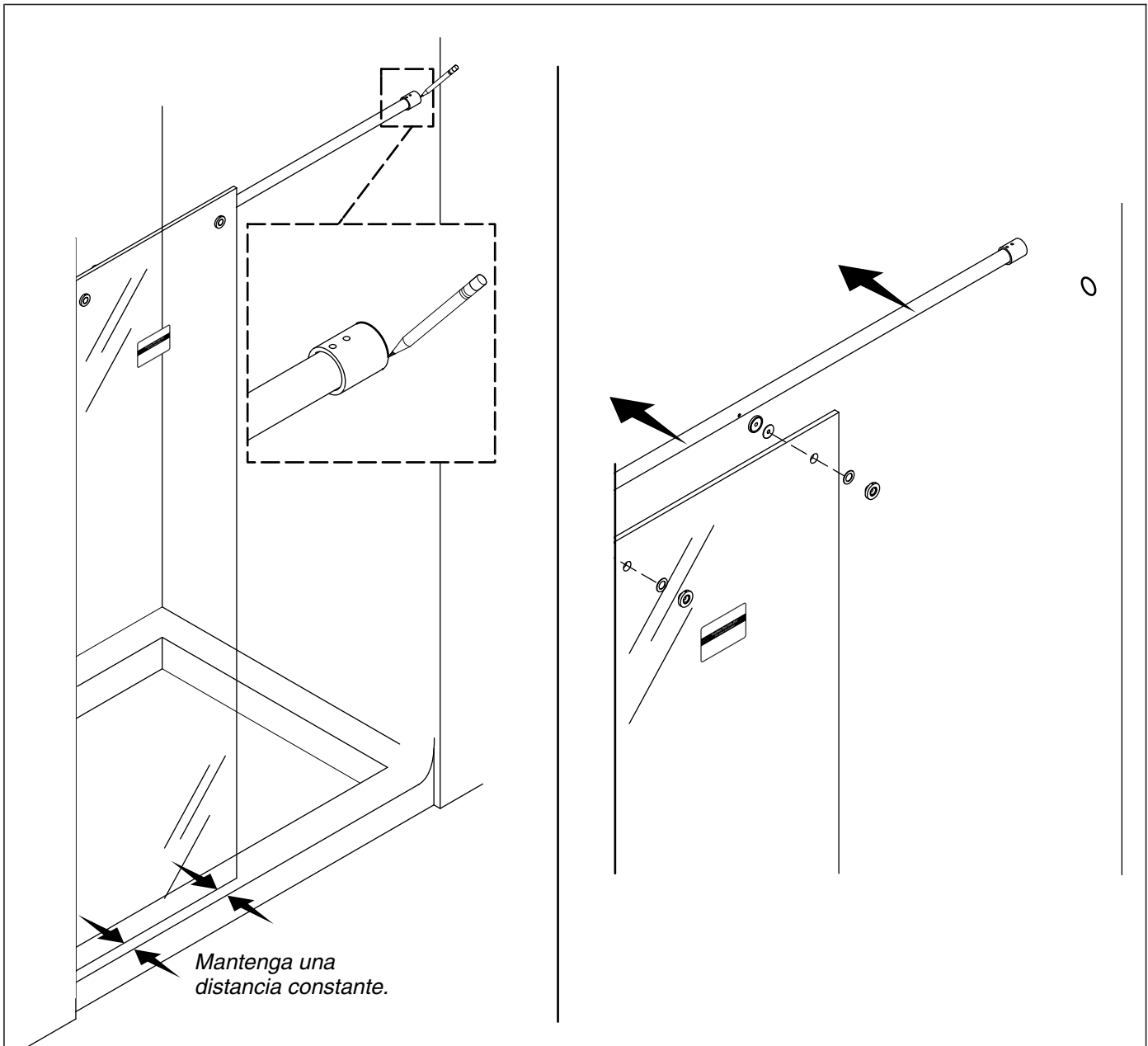


10. Nivele el dintel

¡IMPORTANTE! El dintel debe estar nivelado antes de seguir adelante.

¡IMPORTANTE! Verifique que el panel fijo descansa plano sobre el reborde de la ducha.

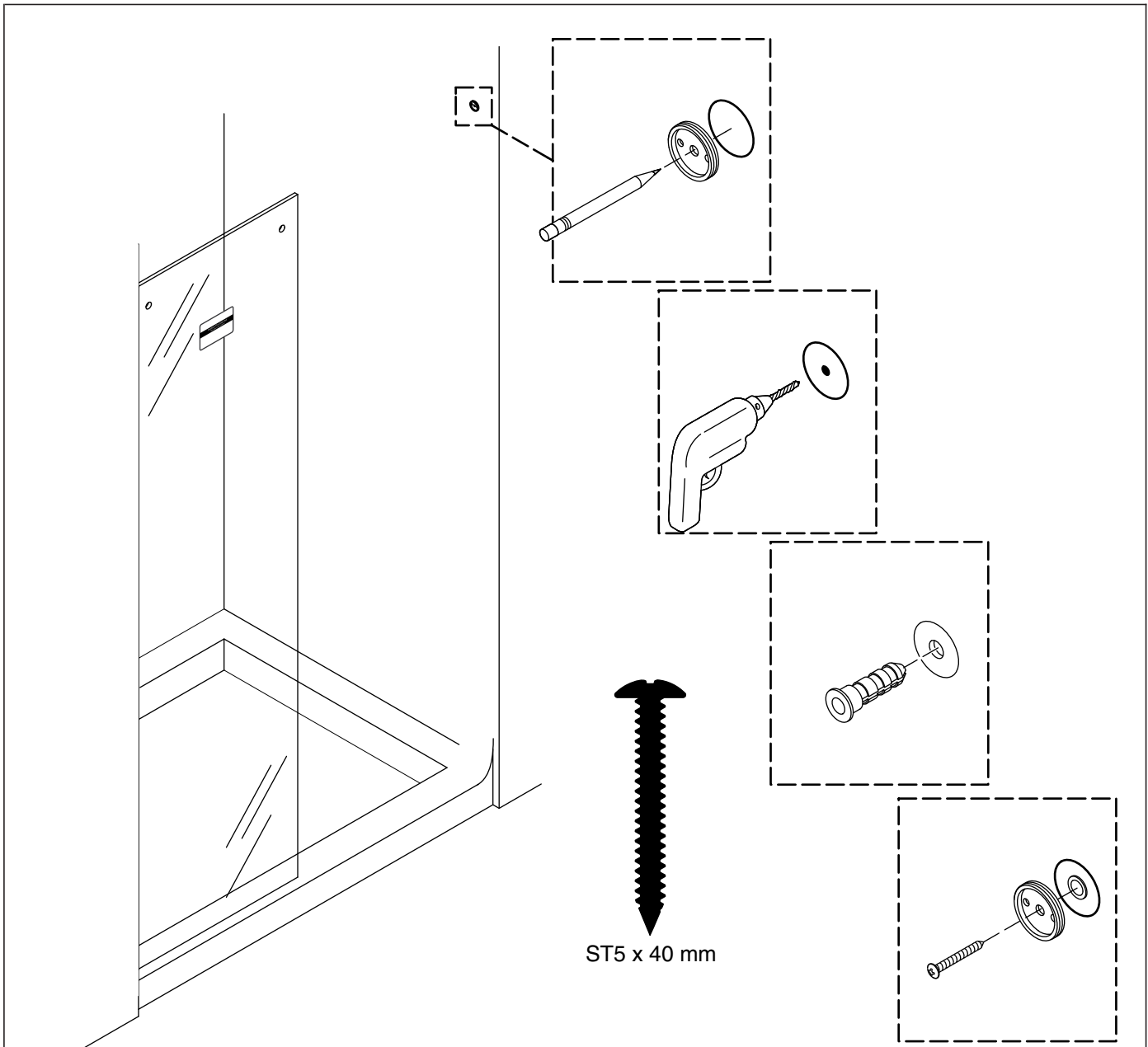
- Si es necesario nivelar el dintel, afloje ligeramente los tornillos de montaje del dintel.
- Para ajustar el dintel, coloque una llave hexagonal en el orificio pequeño de cada uno de los montajes del dintel. Gire los montajes del dintel para nivelar el dintel.
- Si es necesario nivelar el dintel, afloje ligeramente los tornillos del montaje del dintel.



11. Marque el acoplador del dintel

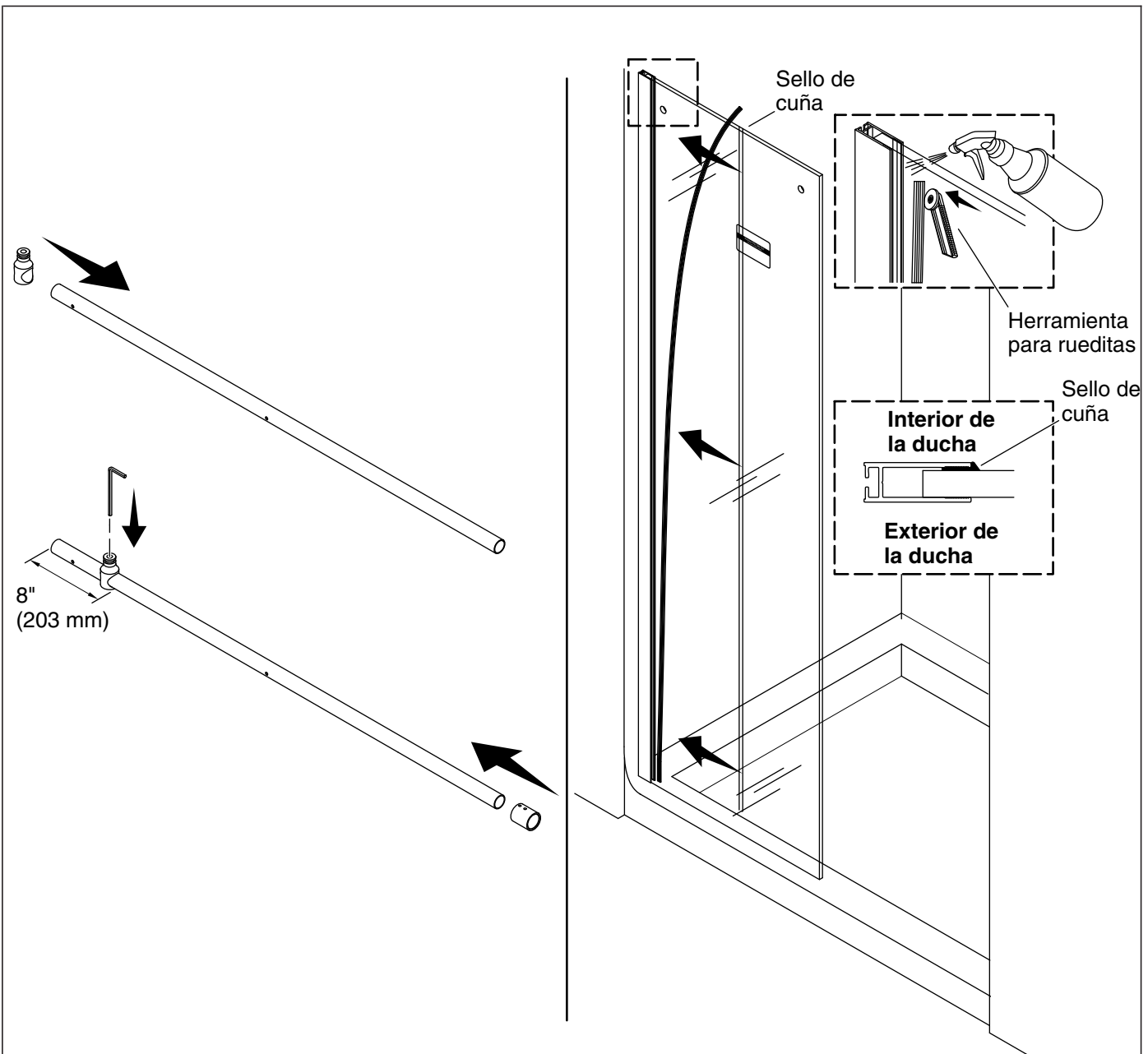
AVISO: El dintel debe quedar nivelado y bien asegurado al panel fijo. Si es necesario, vuelva a la sección “Nivele el dintel”.

- Asegúrese de que el panel fijo quede a una distancia constante del radio de la base de la ducha.
- Deslice el acoplador a la pared y marque su lugar.
- Retire el dintel del panel fijo.



12. Instale el soporte del dintel

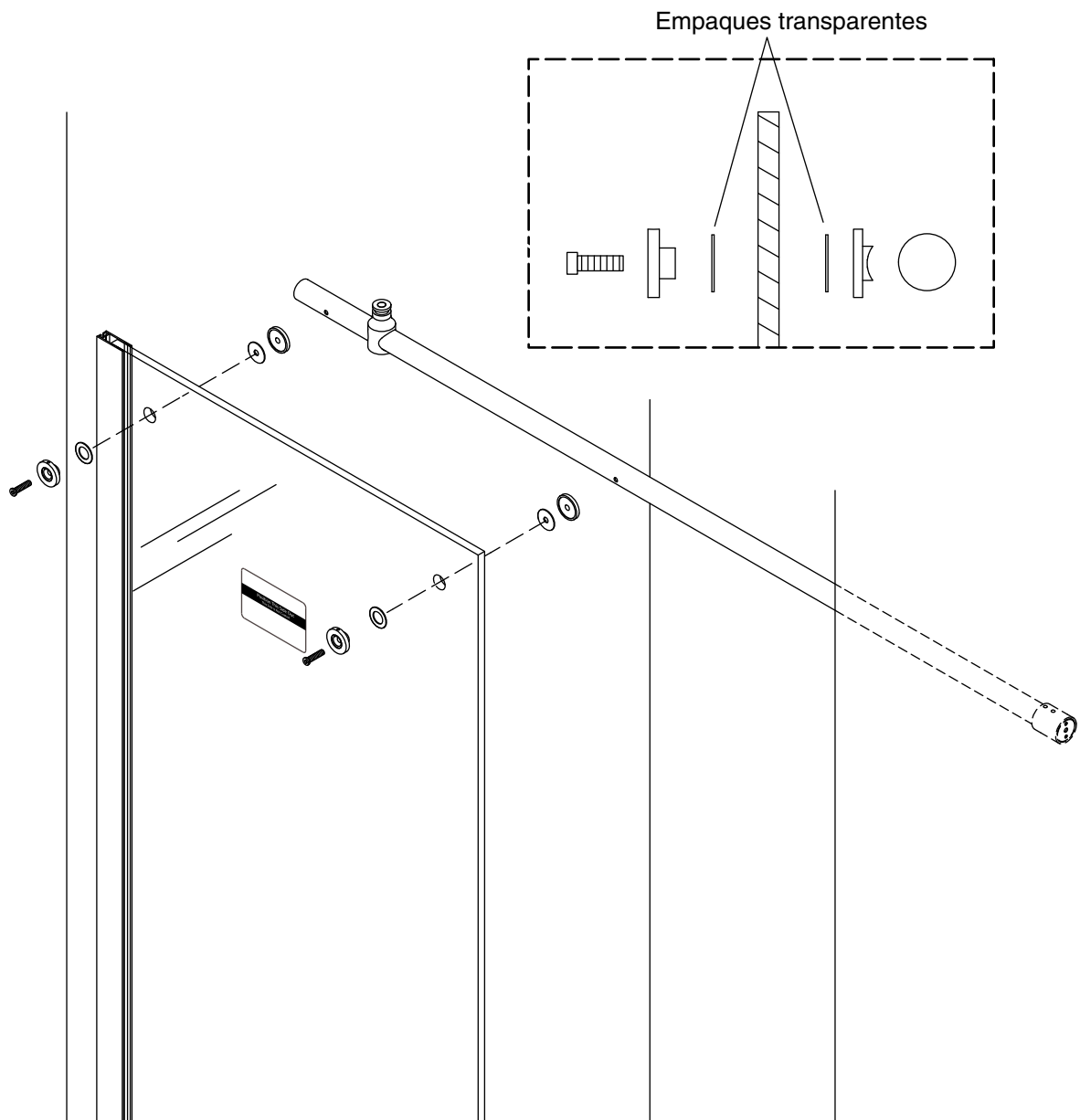
- Alinee el soporte del dintel con la marca en la pared. Para mayor exactitud, el soporte del dintel puede volverse a instalar temporalmente en el acoplador.
- Marque en la pared el lugar del orificio central del soporte del dintel.
- Taladre un orificio de 5/16 pulg. en la marca central del soporte del dintel.
- Instale el anclaje grande de pared que se incluye. Asegúrese de que el anclaje quede asentado por completo contra la pared.
- Instale el soporte con el tornillo ST5 x 40 mm, que se incluye.
- Limpie por completo la base de la ducha y la pared.



13. Instale el sello de cuña y ensamble el dintel

AVISO: Riesgo de daños al producto. No use objetos filosos para empujar el sello de cuña a su lugar.

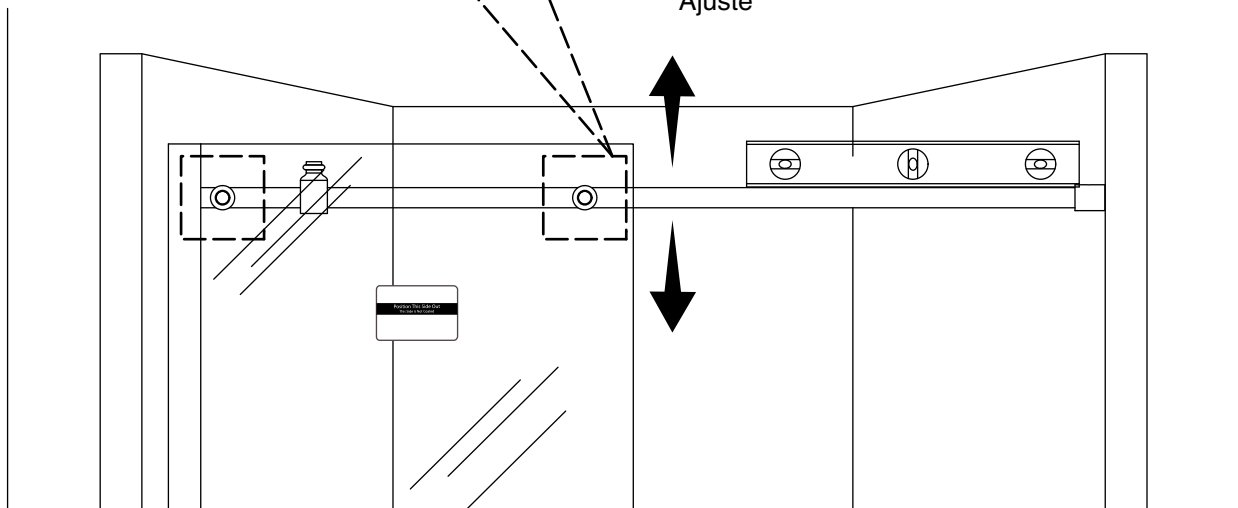
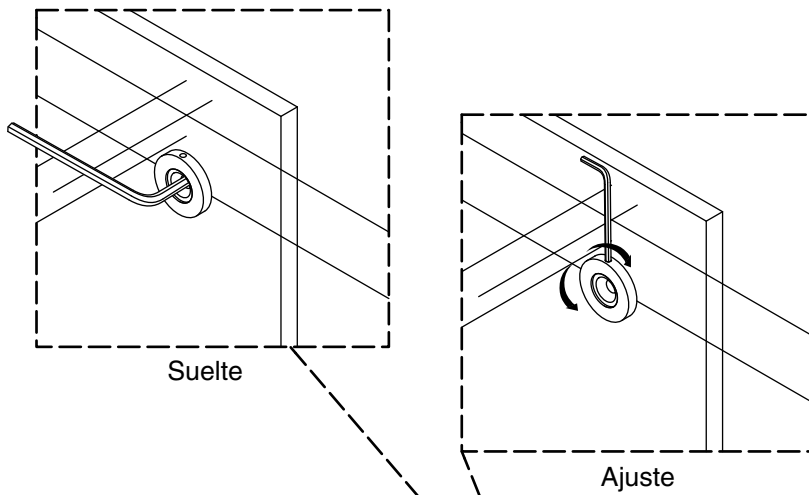
- Deslice el tope de la puerta para introducirlo en el dintel. Ubique el tope aproximadamente a 8" (203 mm) del extremo cerrado, entre los 2 orificios roscados. Apriete bien el tornillo de fijación.
- Asegúrese de que el acoplador esté en el dintel, con los tornillos de fijación alejados de la pared.
- Comenzando por la parte inferior, empuje el sello de cuña por completo entre la jamba mural y el panel fijo como se muestra.
- Recorte el exceso de longitud del sello de cuña.



14. Instale el dintel

AVISO: El dintel se instala al panel fijo en el interior de la ducha.

- Ensamble los montajes del dintel en el panel fijo, como se muestra.
- Asegúrese de que los empaques transparentes estén en su lugar a ambos lados de los montajes del dintel.
- Desde el exterior de la ducha, empuje un perno de cabeza hexagonal a través de cada montaje y atorníllelo en los orificios para tornillos en el dintel. **¡No apriete demasiado!**

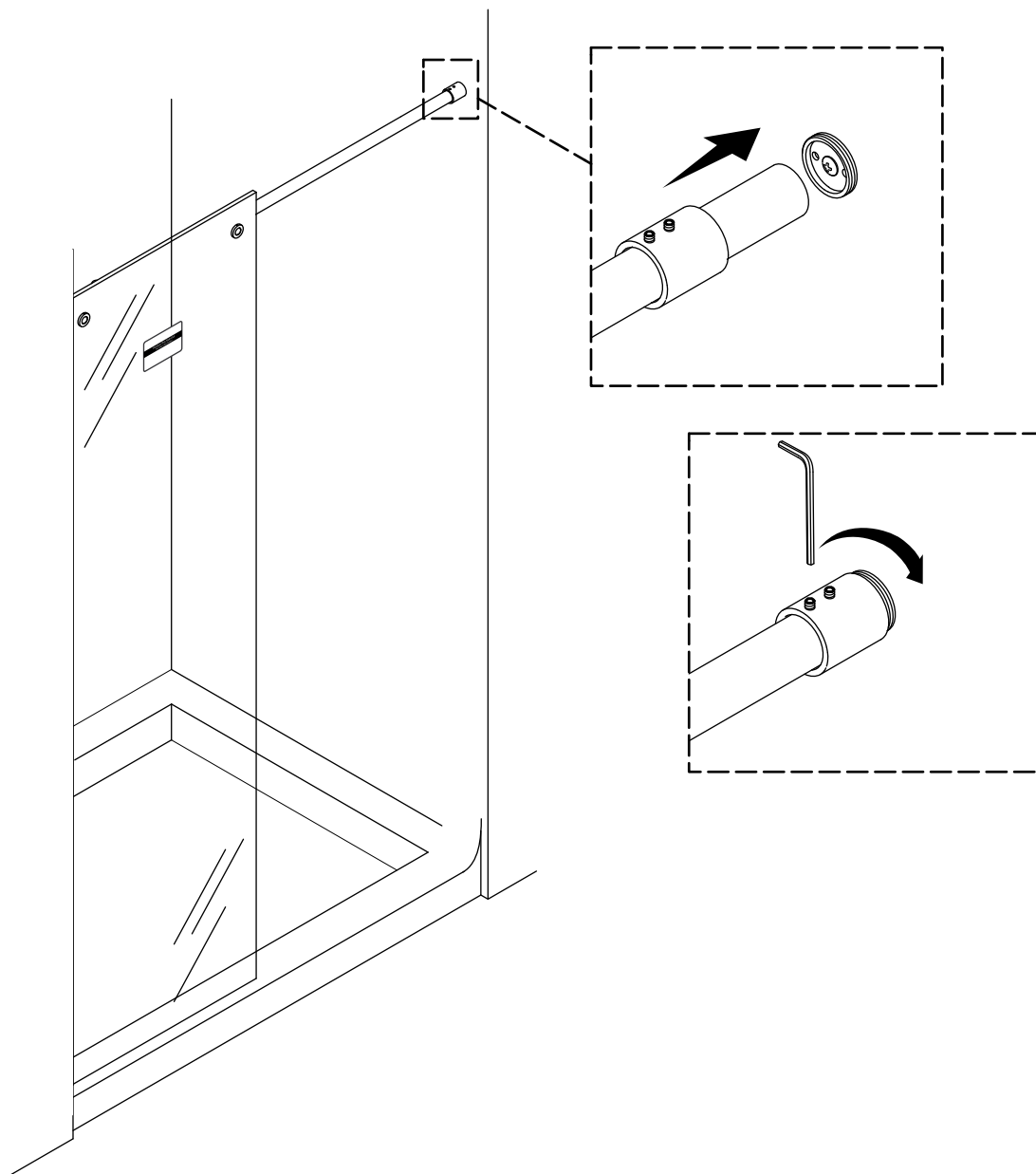


15. Vuelva a nivelar el dintel

¡IMPORTANTE! El dintel debe estar nivelado antes de seguir adelante.

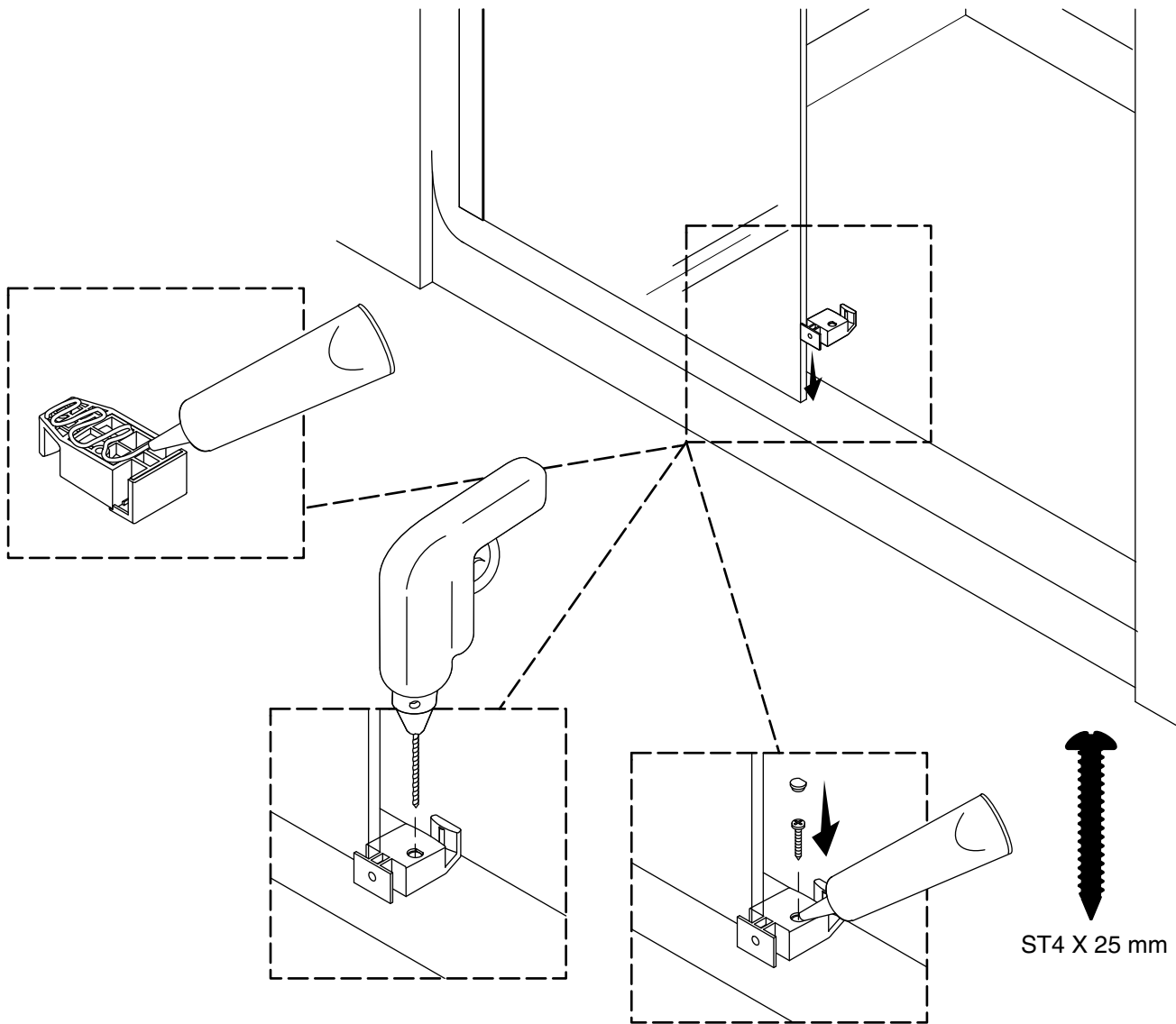
¡IMPORTANTE! Verifique que el panel fijo descansa plano sobre el reborde de la ducha.

- Ajuste el dintel aflojando los tornillos del montaje del dintel, y girando ambos montajes del dintel con una llave hexagonal.
- Si es necesario nivelar el dintel, afloje ligeramente los tornillos de montaje del dintel.



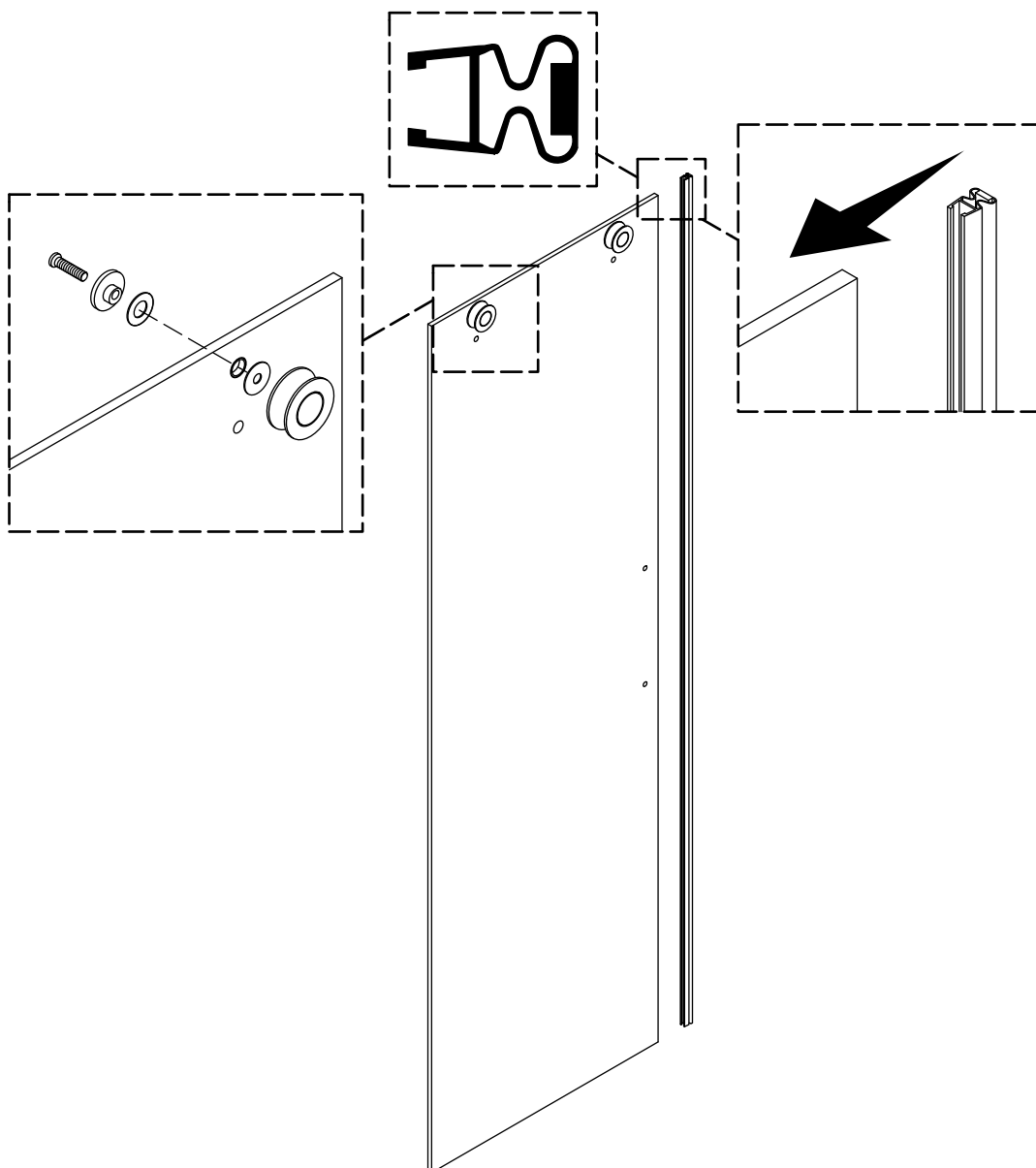
16. Fije el dintel

- Deslice el acoplador hacia la pared y atorníllelo al soporte de montaje del dintel.
- Oriente el acoplador de tal forma que los tornillos de fijación no queden visibles. Apriete los tornillos de fijación.
- Verifique que el dintel quede nivelado. Se pueden hacer ligeros ajustes de acuerdo al paso "Nivele el dintel".



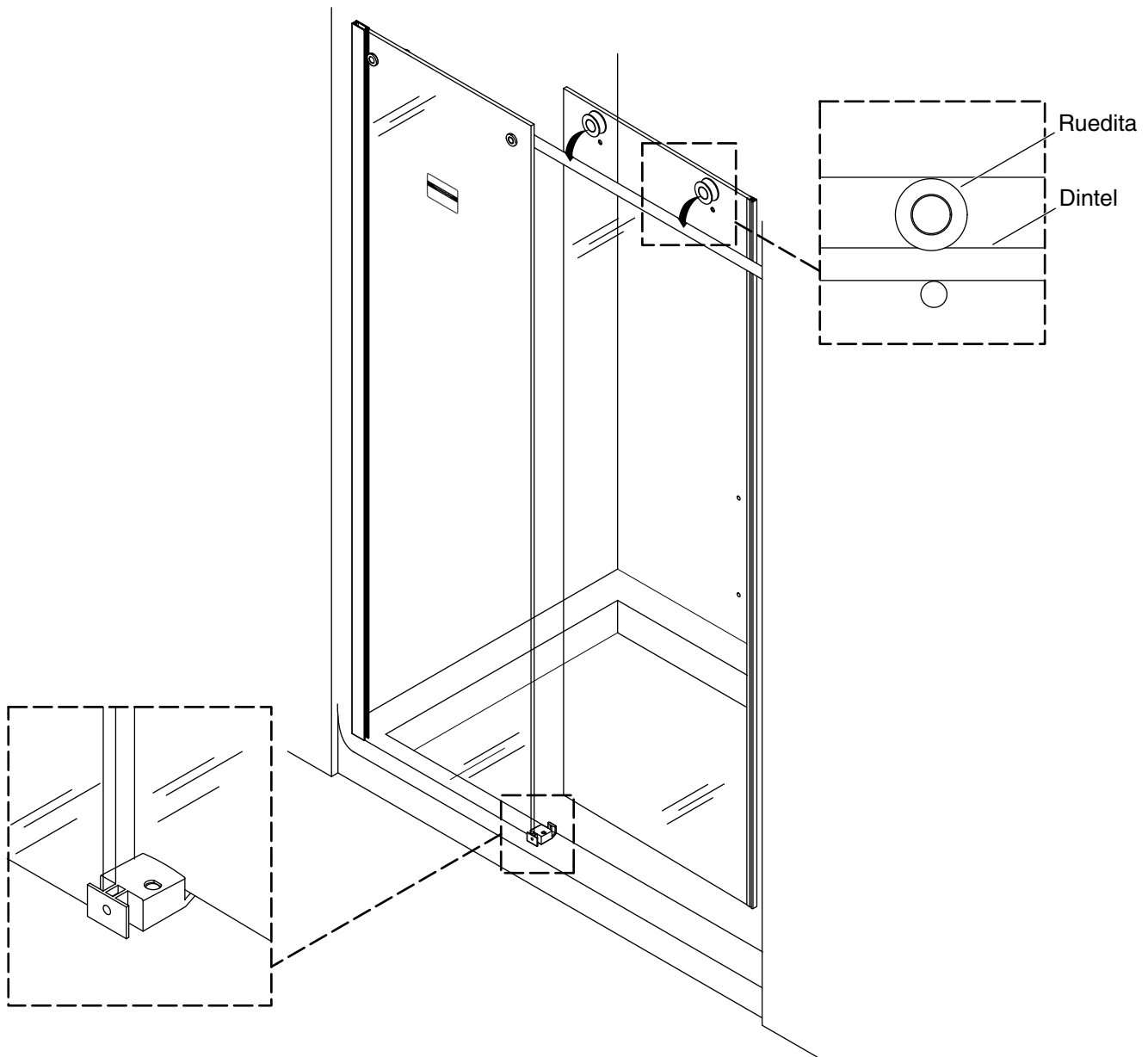
17. Instale la guía central

- Aplique sellador 100 % de silicona a la parte inferior de la guía central.
- Coloque la guía central en la base de la ducha de forma que el panel fijo quede asentado por completo en la cavidad.
- Utilizando el orificio de la guía central como guía, taladre un orificio de 1/8 pulg.
- Aplique sellador 100 % de silicona en el orificio de la guía central.
- Aplique sellador 100 % de silicona al tornillo ST4 x 25 mm, que se incluye, y fije la guía central.
- Meta a presión un tapaperno sobre el orificio para tornillo.



18. Ensamble el panel corredizo

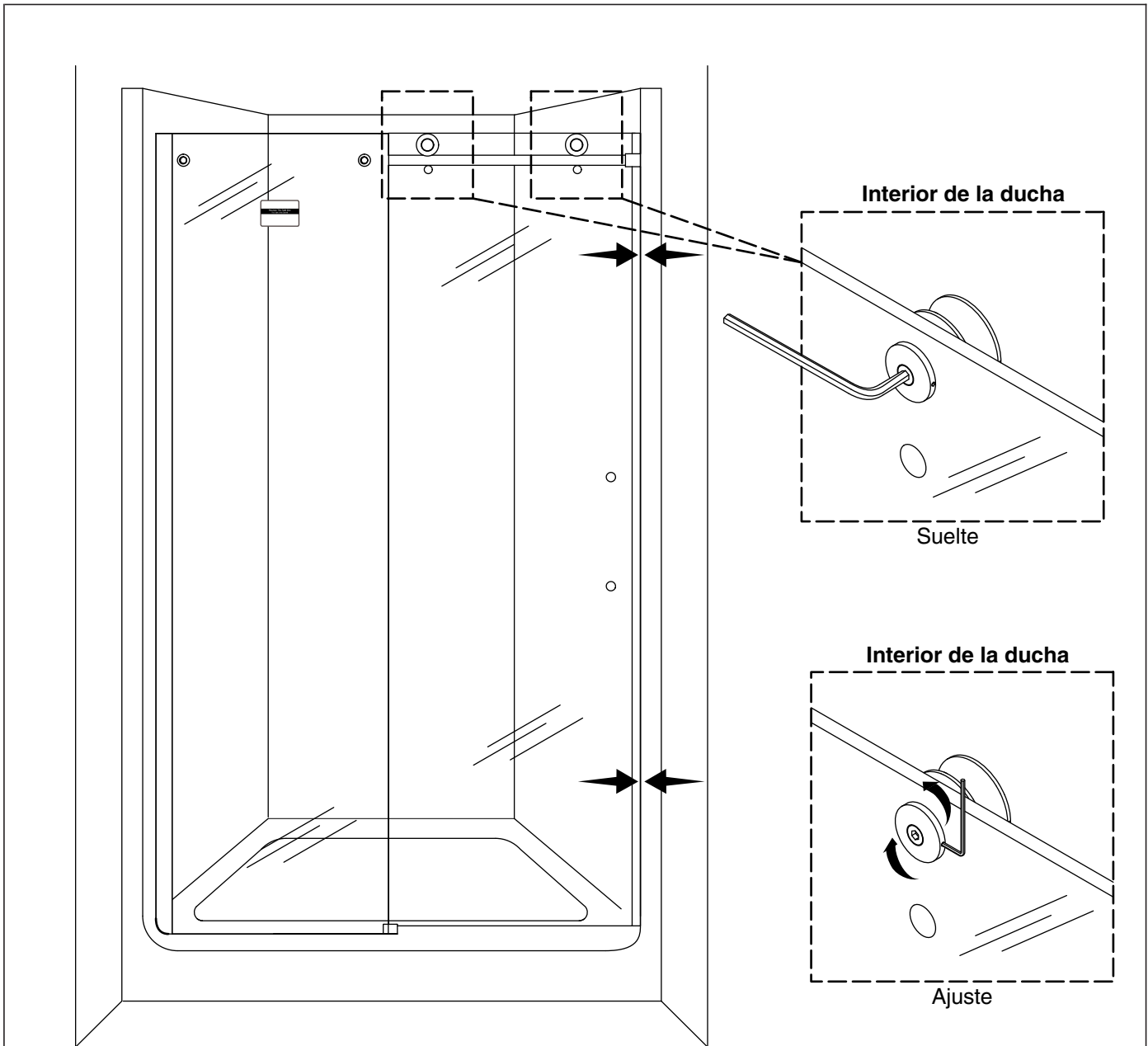
- Instale una ruedita en cada uno de los orificios superiores del panel corredizo. Las rueditas deben colocarse en el lado exterior del panel corredizo.
- Apriete las rueditas con una llave hexagonal.
- Oprima el sello magnético A contra el reborde más cercano a los orificios del panel corredizo. El sello magnético A debe quedar al ras con la parte superior del panel corredizo.



19. Instale el panel de la puerta

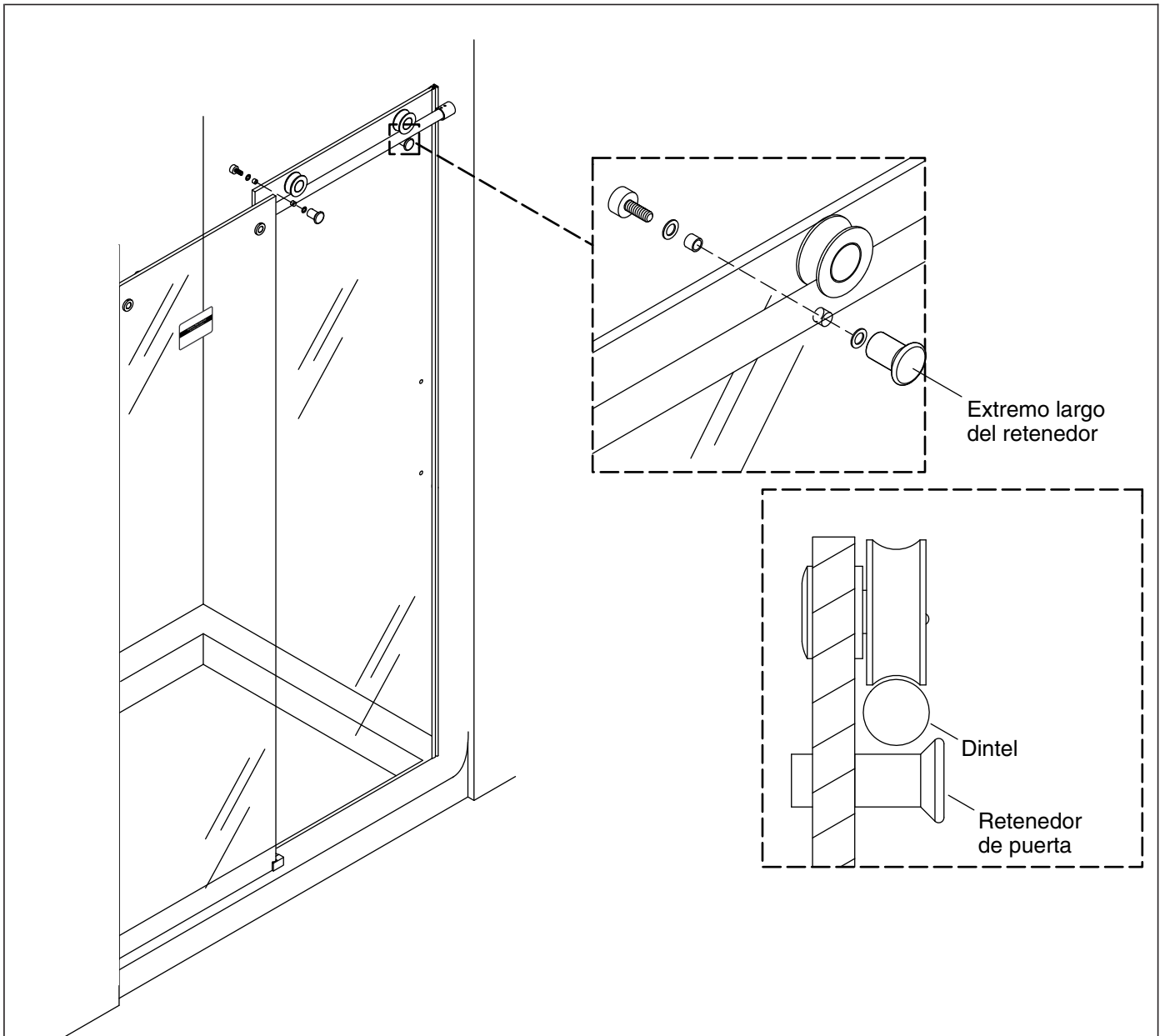
¡IMPORTANTE! Haga que una persona le ayude a levantar e instalar la puerta.

- Mueva el panel de la puerta al interior de la ducha.
- Desde el interior de la ducha, levante el panel de la puerta y coloque el borde inferior en el canal posterior de la guía central.
- Coloque ambas rueditas en la parte superior del dintel.



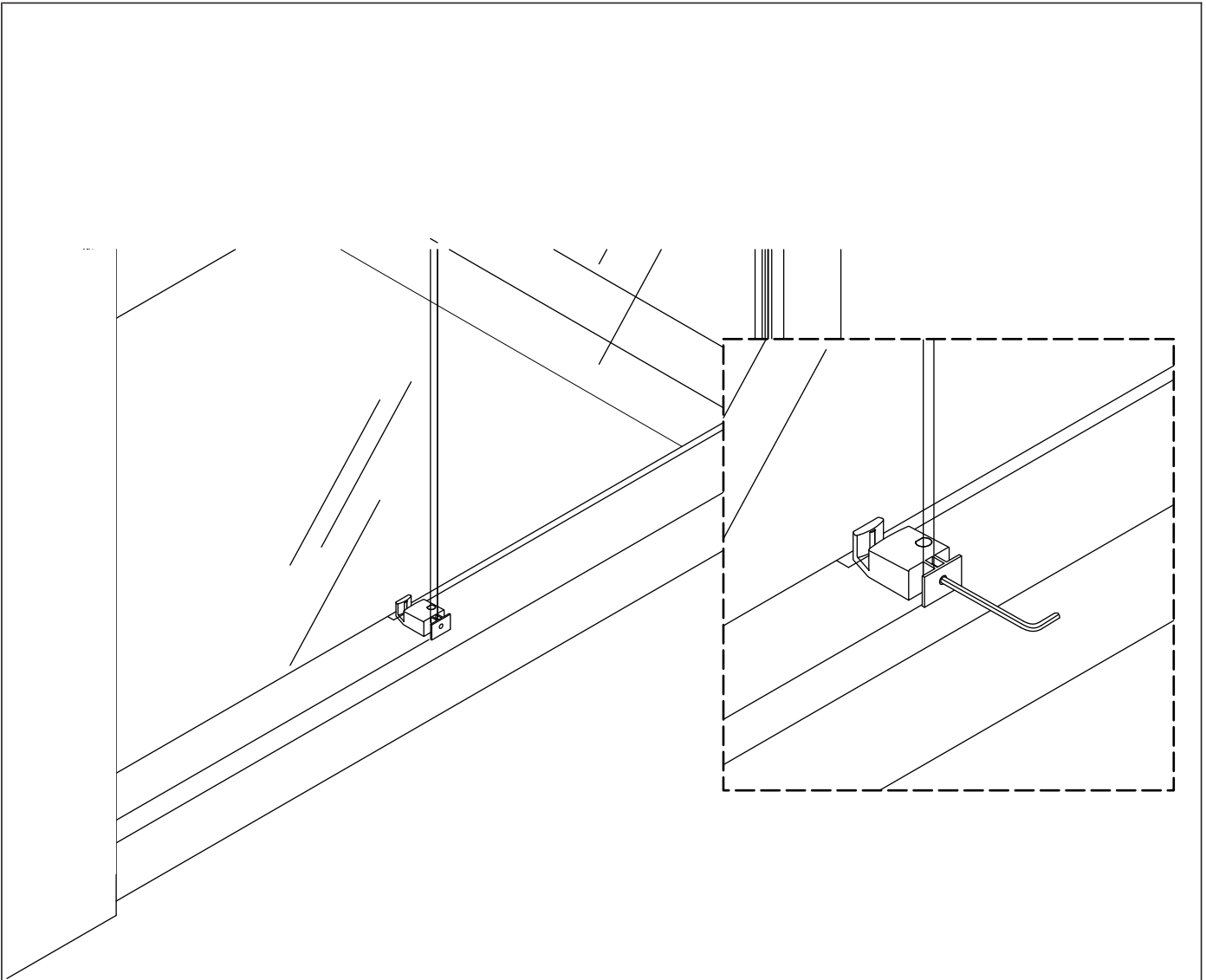
20. Ajuste el panel corredizo

- Al estar cerrado, el panel corredizo debe quedar al ras con la pared. Si hay espacio entre la pared y el panel corredizo en cualquier lugar en toda su longitud, ajuste el panel corredizo.
- Desde el interior de la ducha, afloje los tornillos de montaje de las rueditas.
- Introduzca una llave hexagonal en el orificio de ajuste del montaje de cada ruedita para ajustarlas.
- No permita que el panel corredizo haga contacto con la base de la ducha.
- Cuando la puerta cierre al ras con la pared, tanto en la parte superior como la inferior, apriete **con firmeza** los tornillos de montaje de las rueditas.



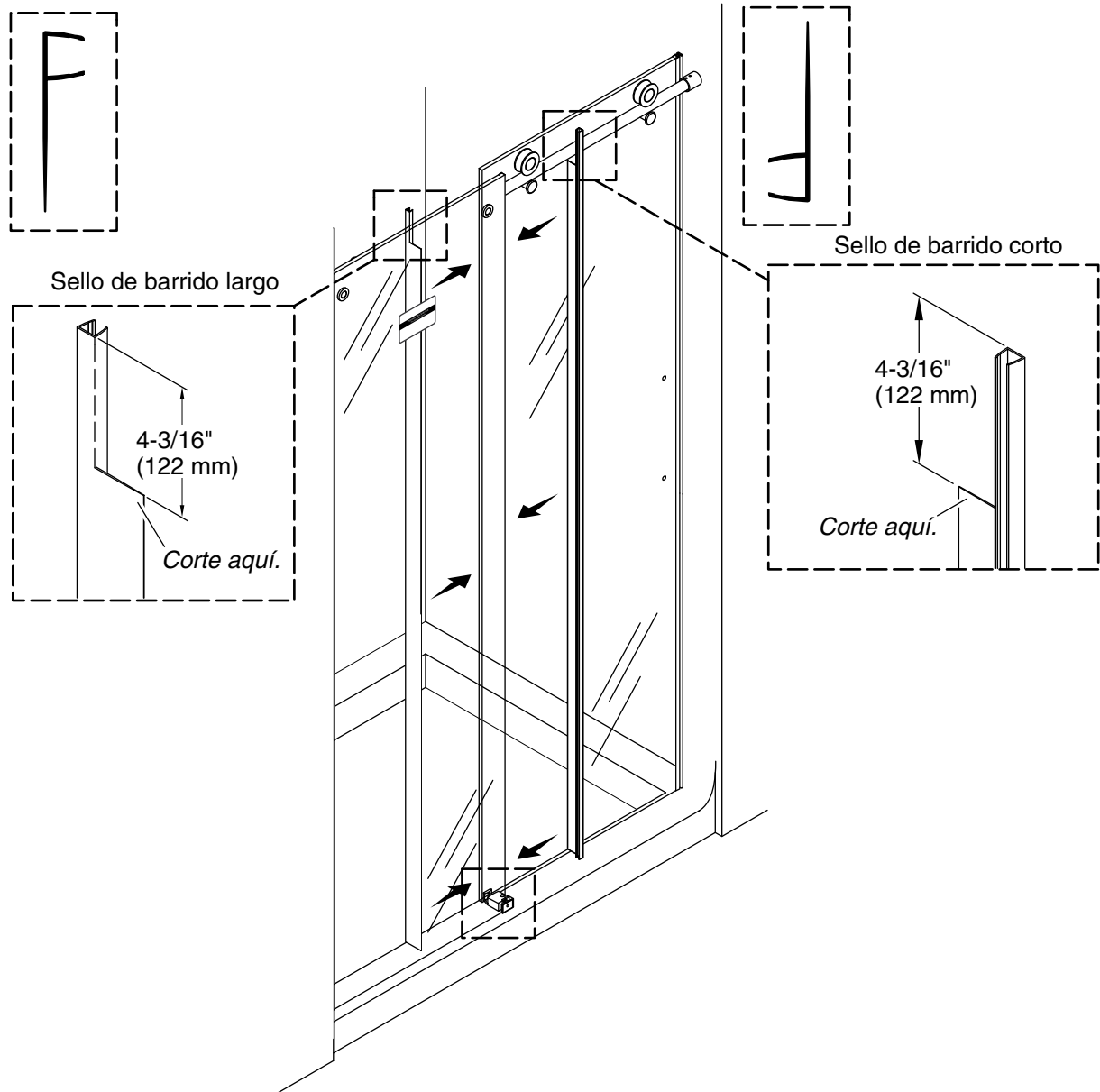
21. Instale los retenedores de la puerta

- Instale los retenedores de la puerta en los orificios del panel corredizo abajo de las rueditas, como se muestra. El extremo largo del retenedor debe quedar hacia el exterior de la ducha.
- Los retenedores de la puerta son ajustables al rotar el retenedor.
- Rote el retenedor a la posición deseada y sosténgalo mientras aprieta el tornillo.
- El retenedor debe estar lo más cerca posible al dintel sin llegar a hacer contacto con este, rozarlo o rallarlo.



22. Termine de hacer la instalación de la guía central

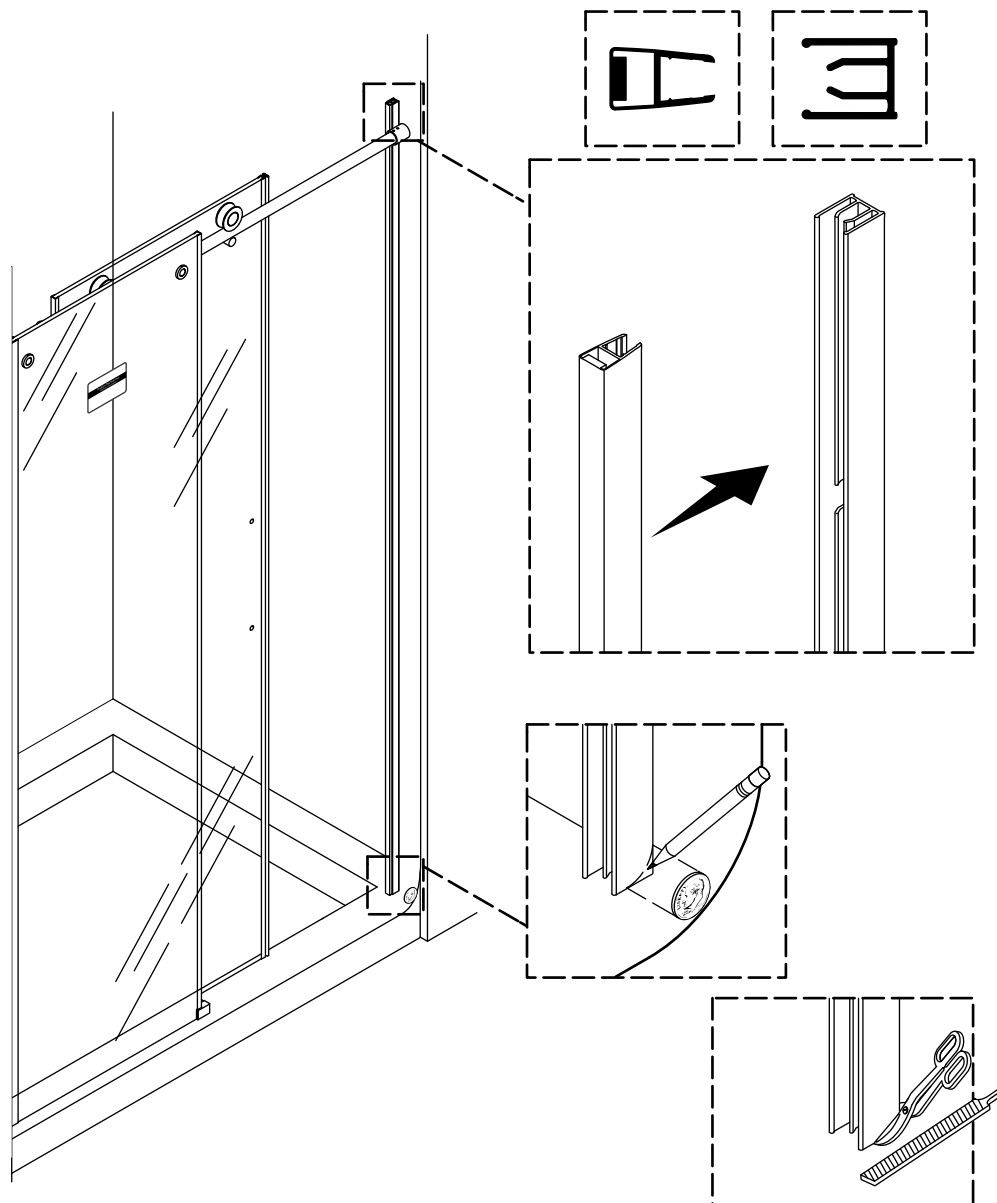
- Apriete el tornillo de fijación en el frente de la guía central, de forma que la puerta se deslice con facilidad.



23. Instale los sellos de barrido de la puerta

NOTA: Hay 2 sellos de barrido de ligeramente distintas longitudes. El sello de barrido largo se une al panel corredizo. El sello de barrido corto se une al panel fijo.

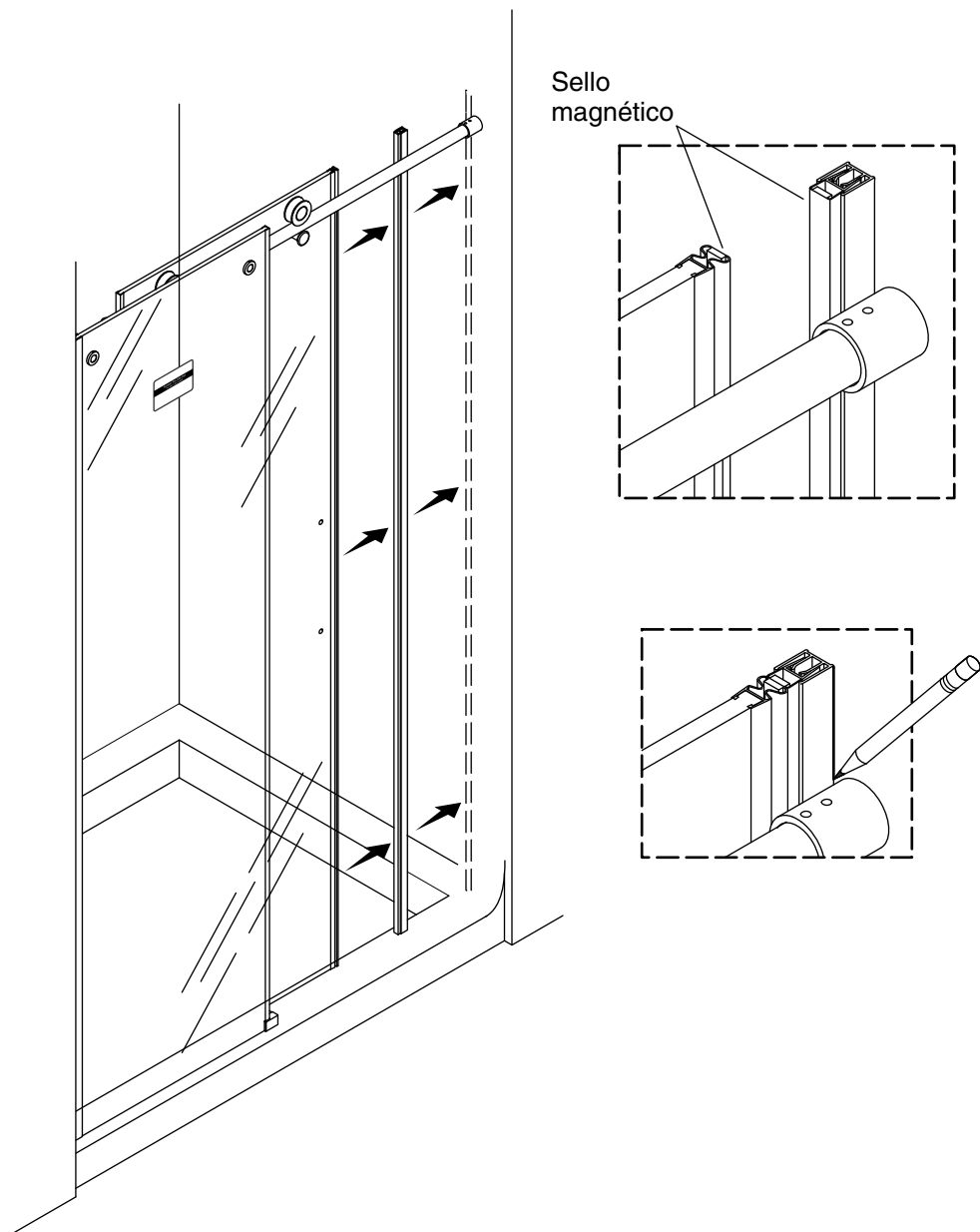
- Recorte 4-3/16" (122 mm) de la parte superior del sello de barrido largo, como se muestra.
- Presione el sello de barrido largo contra el borde del panel corredizo.
- Recorte 4-3/16" (122 mm) de la parte superior del sello de barrido corto, como se muestra.
- Comenzando en la guía central, oprima el sello de barrido corto contra el borde del panel fijo, como se muestra.



24. Prepare la jamba de contacto

¡IMPORTANTE! La jamba de contacto debe quedar bien ajustada contra la base de la ducha y la pared.

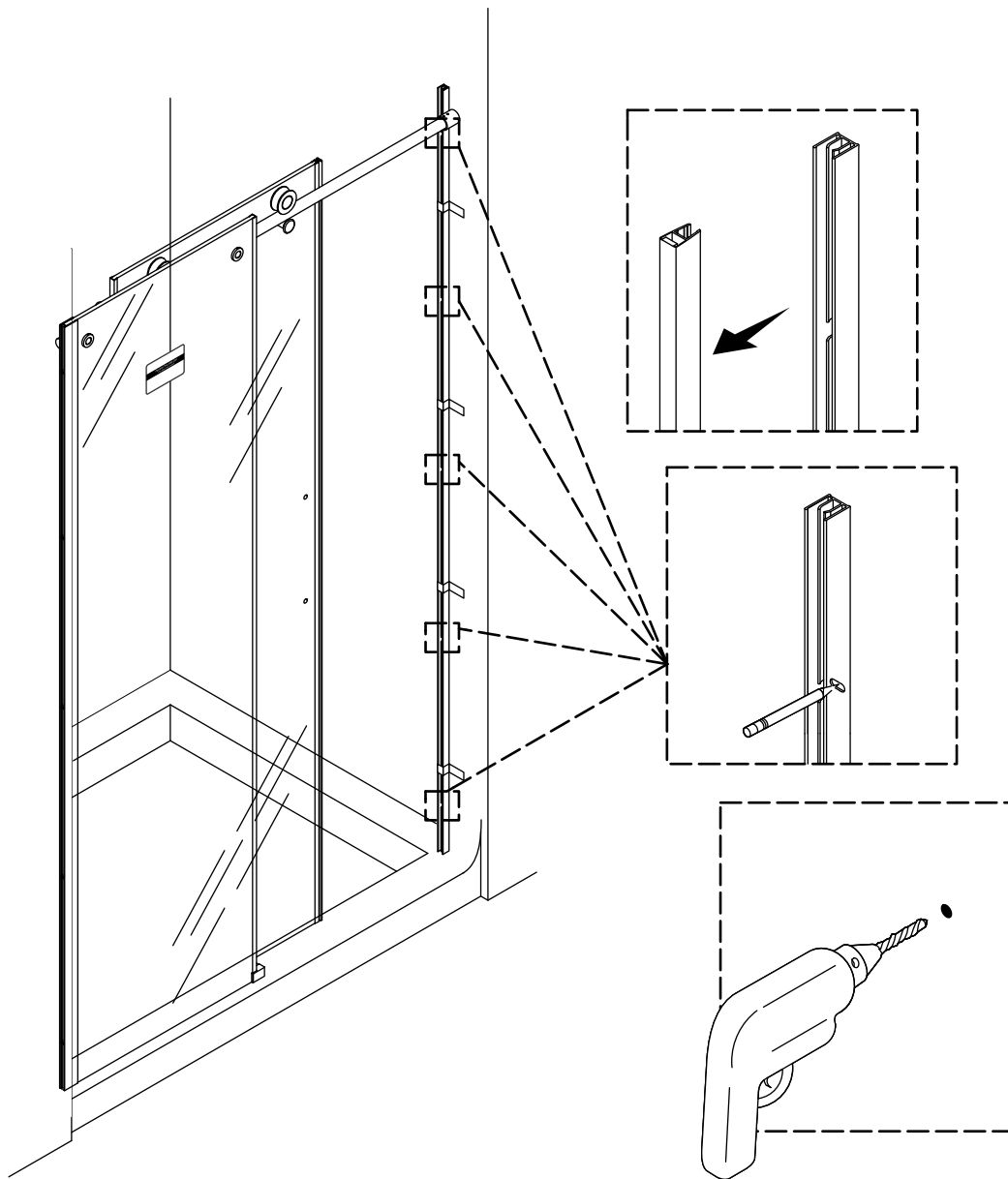
- Coloque la jamba de contacto contra la pared, de forma que quede en el interior del dintel como se muestra.
- Retire la jamba de contacto. De ser necesario, dé forma y lime la esquina inferior para que ajuste contra la pared de la ducha. Con una moneda igual y copie el radio de la esquina.
- Oprima el sello magnético B contra la jamba de contacto.



25. Marque el lugar de la jamba de contacto

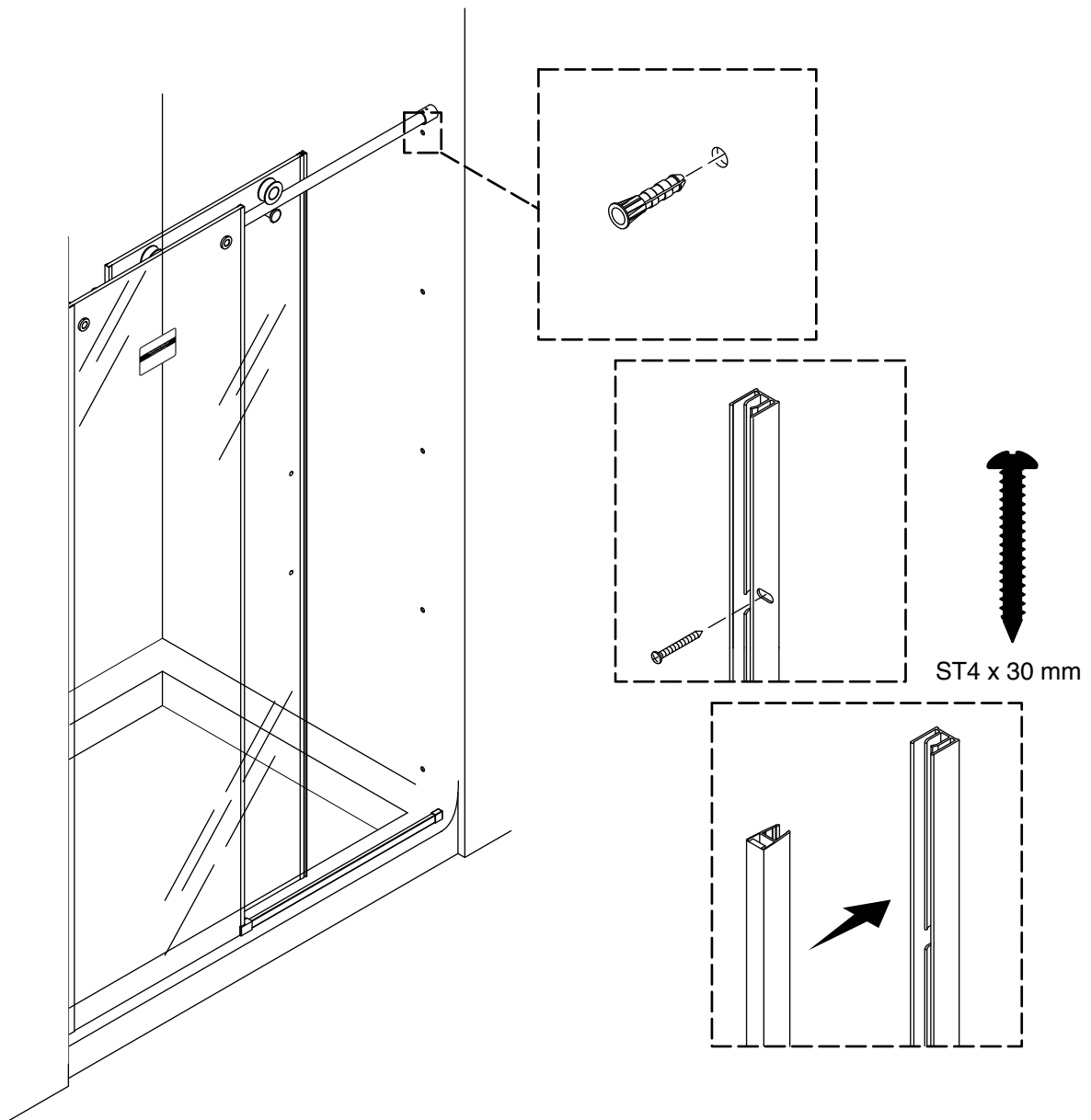
¡IMPORTANTE! La jamba de contacto debe quedar bien ajustada contra la base de la ducha y la pared.

- Una el sello magnético al sello ya instalado en el borde del panel corredizo.
- Deslice la puerta para cerrarla, de tal forma que la jamba de contacto quede contra la pared.
- Coloque a plomo la jamba de contacto.
- Marque el lugar de la jamba de contacto en la pared.



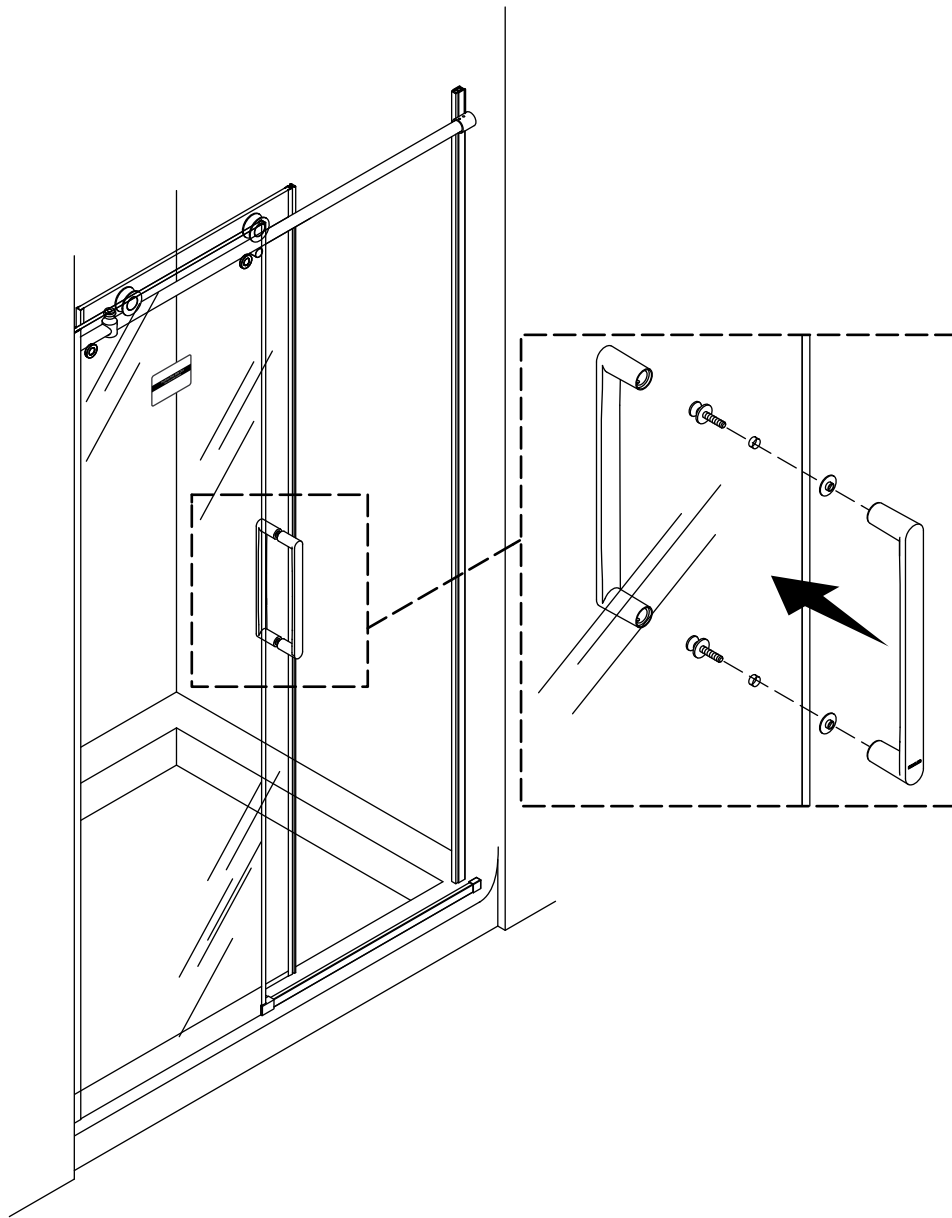
26. Marque los orificios de la jamba de contacto

- Abra la puerta y retire el sello magnético B y la jamba de contacto de la puerta.
- Retire el sello magnético B de la jamba de contacto.
- Alinee la jamba de contacto con la marca en la pared, y fíjela con cinta adhesiva.
- Marque los 5 orificios.
- Retire la jamba de contacto.
- Taladre un orificio de 1/4 pulg. en cada lugar marcado. En paredes de azulejo use una broca para mampostería.



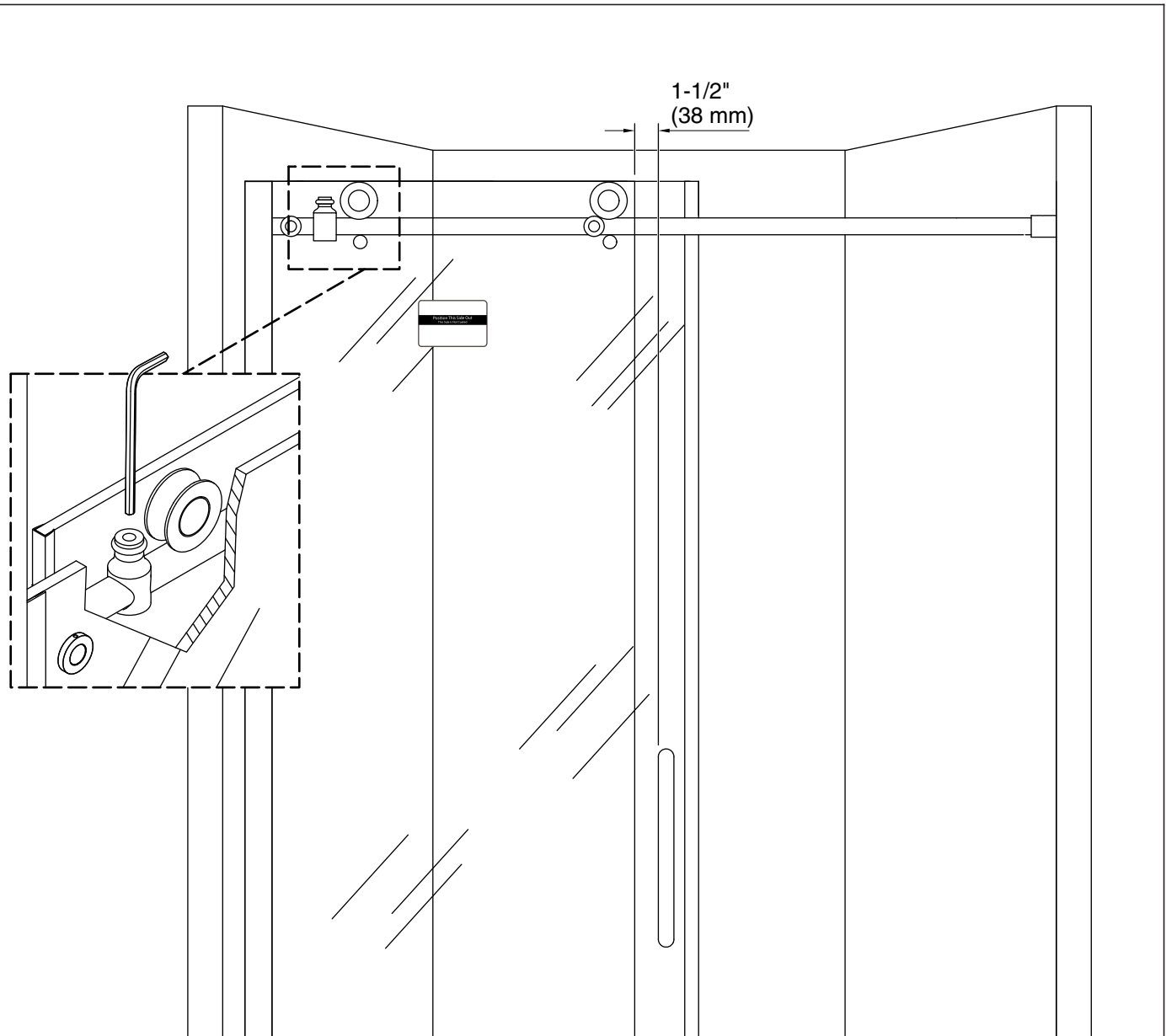
27. Instale la jamba de contacto

- Instale los anclajes de pared que se incluyen. De ser necesario, dé golpes ligeros a los anclajes hasta que queden al ras contra la pared.
- Vuelva a colocar la jamba de contacto a que quede alineada con los orificios de anclaje.
- Fije la jamba de contacto a la pared con 5 de los tornillos ST4 x 30 mm, que se incluyen.
- Vuelva a colocar el sello magnético B en la jamba de contacto.



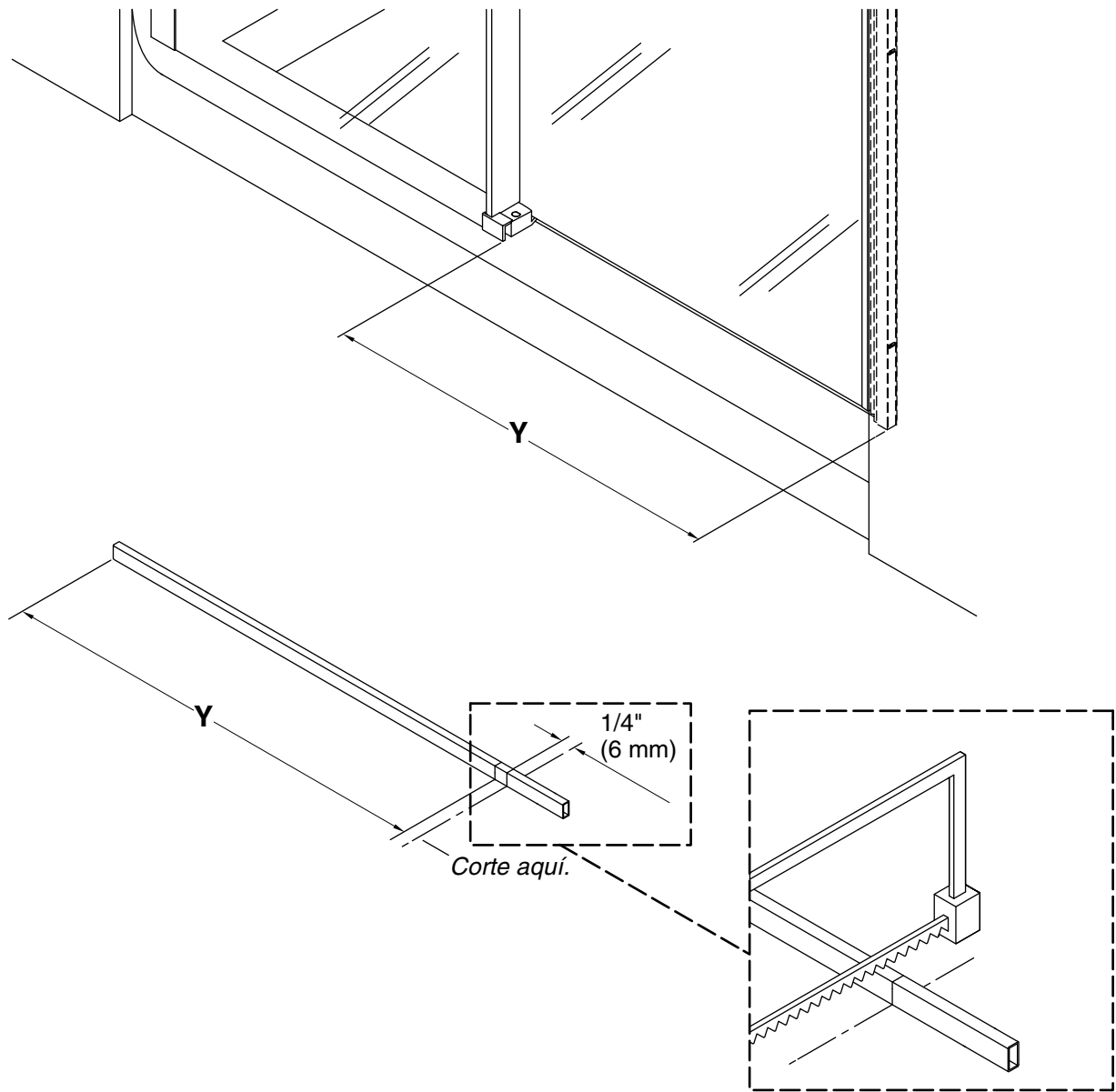
28. Instale las manijas

- Coloque un buje a cada lado de cada orificio para manija. Desde el interior de la ducha, introduzca un perno a través de cada uno de los orificios para manija.
- Con las letras "KOHLER" en la parte inferior, coloque la manija exterior sobre los pernos. Atornille los pernos en la manija.
- Apriete los pernos con un destornillador estándar. ¡No apriete demasiado!
- Instale la manija interior sobre los pernos.
- Fije la manija interior con los 2 tornillos de fijación. Apriete con la llave hexagonal de 2,5 mm, que se incluye.



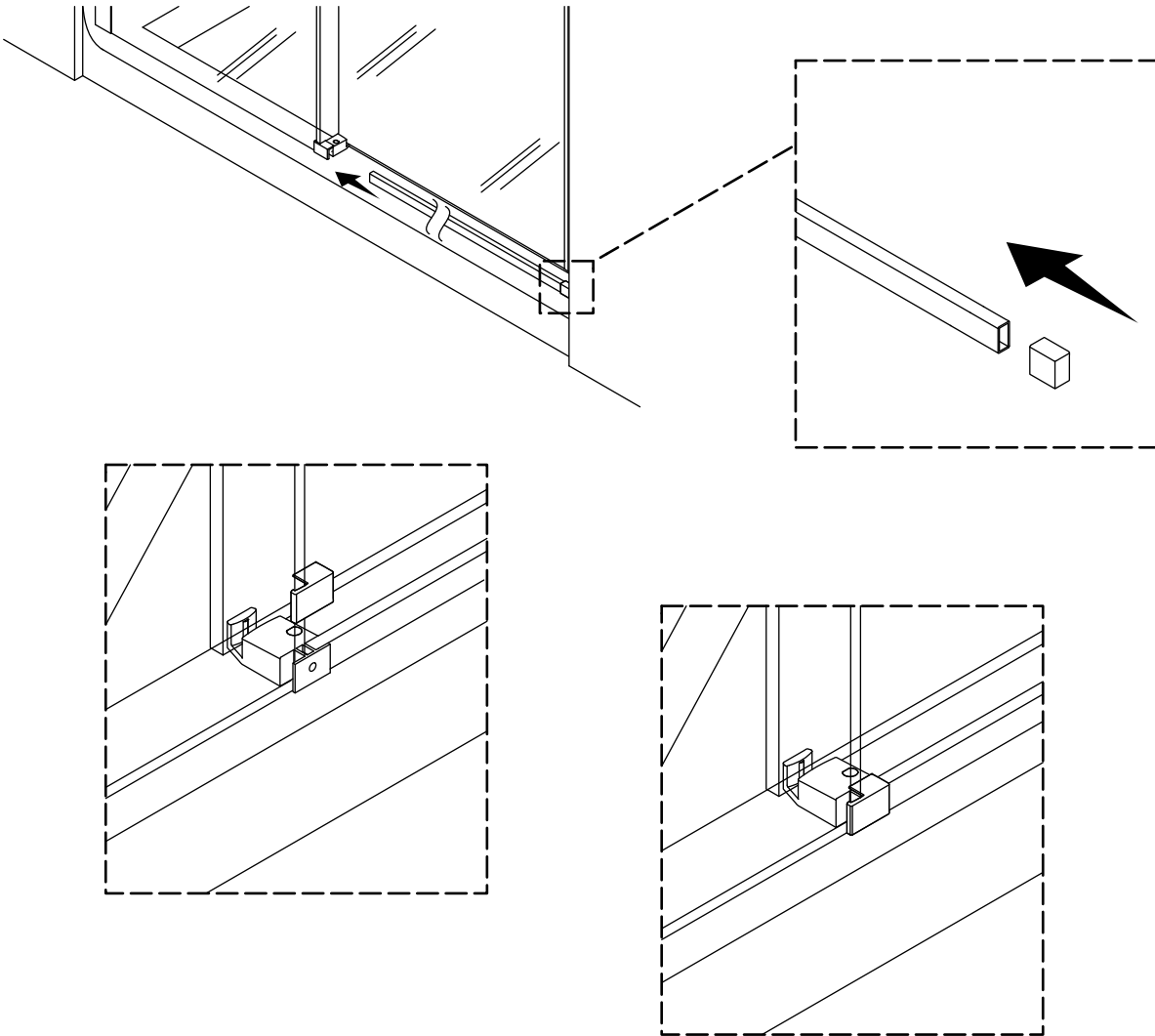
29. Ubique el tope

- Deslice la puerta para abrirla hasta que la manija quede a 1-1/2" (38 mm) del panel fijo.
- Deslice el tope a lo largo del dintel hasta que haga contacto con la ruedita.
- **Con firmeza** apriete el tornillo de fijación con la llave hexagonal.



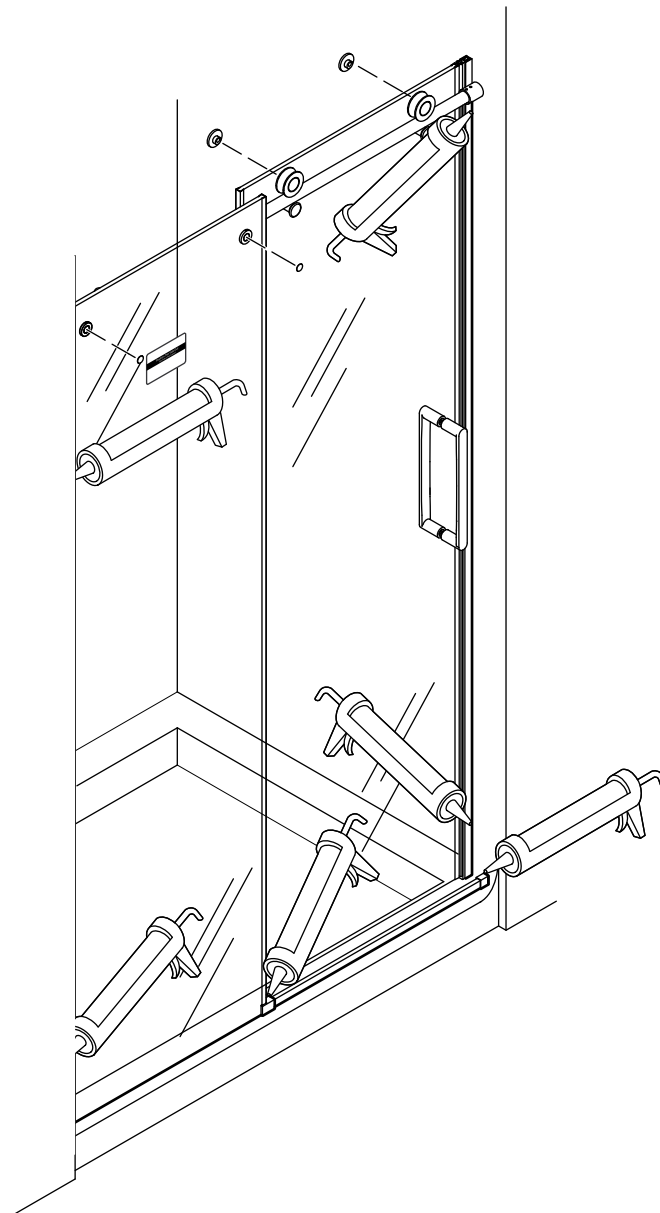
30. Instale el umbral

- De ser necesario, dé forma y lime la esquina inferior del umbral y la esquina del umbral para que ajusten contra la pared de la ducha. Con una moneda iguale y copie el radio de la esquina.
- Mida la distancia "Y" entre el centro de la guía central y la pared en el lado de la jamba de contacto.
- Marque "Y" en el umbral.
- Mida 1/4" (6 mm) a partir de "Y" y haga una segunda marca en el umbral, como se muestra.
- Recorte el umbral en la segunda marca y lime los bordes ásperos.



31. Instale el umbral

- Introduzca la tapa del umbral en el extremo del umbral.
- Deslice el extremo del umbral en la guía central.
- Meta a presión la tapa de la guía central seleccionada en la sección "Determine la configuración de la puerta" sobre la guía central.



32. Selle la puerta de ducha

- Meta a presión las tapas sobre los tornillos de montaje del dintel y de los tornillos de las rueditas.
- Aplique sellador 100 % de silicona a lo largo de todos los bordes en el interior y exterior de la ducha.

Cuidado y limpieza

Para obtener los mejores resultados, tenga presente lo siguiente al limpiar su producto KOHLER:

- Siempre pruebe la solución de limpieza en un área oculta antes de aplicarla a toda la superficie.
- Limpie las superficies con un paño, y enjuague completa e inmediatamente con agua después de haber aplicado algún limpiador. Enjuague y seque las superficies cercanas donde hayan caído salpicaduras.
- No deje mucho tiempo los limpiadores en las superficies.

Cuidado y limpieza (cont.)

- Utilice una esponja humedecida, o un paño suave y húmedo. Para limpiar las superficies nunca utilice materiales abrasivos, como cepillos o estropajos.
- La técnica de limpieza ideal es enjuagar muy bien y secar el producto de la superficie después de cada uso.

Para obtener información detallada de limpieza y de productos a considerar, visite www.kohler.com/clean. Para solicitar información sobre cuidado y limpieza, llame al 1-800-456-4537.

Resolución de problemas

Esta guía de resolución de problemas está diseñada únicamente como ayuda general. Si tiene preguntas con respecto al servicio o a la instalación, llame al 1-800-4-KOHLER.

Resolución de problemas

Síntomas	Causa probable	Acción recomendada
1. La puerta hace ruido cuando se abre o se cierra.	<p>A. El sello de cuña entre el panel fijo y la jamba mural falta o no está instalado por completo.</p> <p>B. La ruedita de la guía central está desgastada o sucia.</p> <p>C. El panel corredizo está demasiado bajo y raspa contra la guía central o contra la base de la ducha.</p> <p>D. Las rueditas se han desgastado y hacen ruido.</p>	<p>A. Instale el sello de cuña y oprímalo por completo en su lugar de acuerdo con la sección "Instale el sello de cuña y ensamble el dintel".</p> <p>B. Retire el panel corredizo y limpie la ruedita de la guía central. De ser necesario, vuelva a colocar la guía central.</p> <p>C. Ajuste las rueditas para elevar el panel corredizo de acuerdo a las instrucciones en la sección "Nivele el dintel".</p> <p>D. Cambie las rueditas.</p>
2. Es difícil mover la puerta o no abre.	<p>A. El panel corredizo está demasiado bajo y raspa contra la guía central o contra la base de la ducha.</p> <p>B. La ruedita de la guía central está demasiado apretada.</p>	<p>A. Ajuste las rueditas para elevar el panel corredizo de acuerdo a las instrucciones en la sección "Nivele el dintel".</p> <p>B. Ajuste la ruedita de la guía central para eliminar presión en el panel corredizo, de acuerdo a las instrucciones en la sección "Termine de hacer la instalación de la guía central".</p>
3. El panel corredizo no cierra.	<p>A. El panel corredizo está demasiado bajo y raspa contra la guía central o contra la base de la ducha.</p>	<p>A. Ajuste las rueditas para elevar el panel corredizo de acuerdo a las instrucciones en la sección "Nivele el dintel".</p>
4. La manija golpea contra el panel fijo al abrir la puerta.	<p>A. No se colocó correctamente el tope o se movió.</p>	<p>A. Coloque el tope en el lugar correcto de acuerdo con las instrucciones en la sección "Ubique el tope". Con firmeza apriete los tornillos de fijación en el tope.</p>
5. Se fuga agua.	<p>A. Se fuga agua por abajo del panel fijo.</p> <p>B. Se fuga agua entre la pared y la jamba mural.</p>	<p>A. Aplique sellador 100 % de silicona al borde exterior inferior del panel fijo. Siga las instrucciones del fabricante del sellador de silicona antes de usar la ducha.</p> <p>B. Aplique sellador 100 % de silicona donde la pared hace contacto con la jamba mural, tanto en el interior como en el exterior de la ducha. Siga las instrucciones del fabricante del sellador de silicona antes de usar la ducha.</p>

Resolución de problemas (cont.)

Resolución de problemas

Síntomas	Causa probable	Acción recomendada
	<p>C. Se fuga agua entre el panel corredizo y la jamba de contacto.</p> <p>D. Se fuga agua entre el panel corredizo y el panel fijo.</p> <p>E. Se fuga agua por abajo del panel corredizo.</p> <p>F. Se fuga agua bajo la base de la ducha o el piso del baño.</p>	<p>C. Ajuste las rueditas de tal forma que el sello magnético en la puerta haga contacto parejo con el sello magnético en la jamba de contacto. Siga las instrucciones en la sección "Ajuste el panel corredizo".</p> <p>D. Confirme que los sellos verticales estén bien instalados.</p> <p>E. Baje las rueditas para que el panel corredizo quede más cerca de la base de la ducha sin rasparla, de acuerdo a las instrucciones en la sección "Nivele el dintel".</p> <p>F. Retire la guía central. Aplique sellador 100 % de silicona al orificio taladrado, a las cuerdas de los tornillos y a la parte inferior de la guía central. Vuelva a instalar la guía central. Aplique sellador 100 % de silicona alrededor del borde de la guía central. Siga las instrucciones del fabricante del sellador de silicona antes de usar la ducha.</p>

USA/Canada: 1-800-4KOHLER

México: 001-800-456-4537

kohler.com

THE BOLD LOOK
OF **KOHLER**®

©2019 Kohler Co.

1351435-2-C