

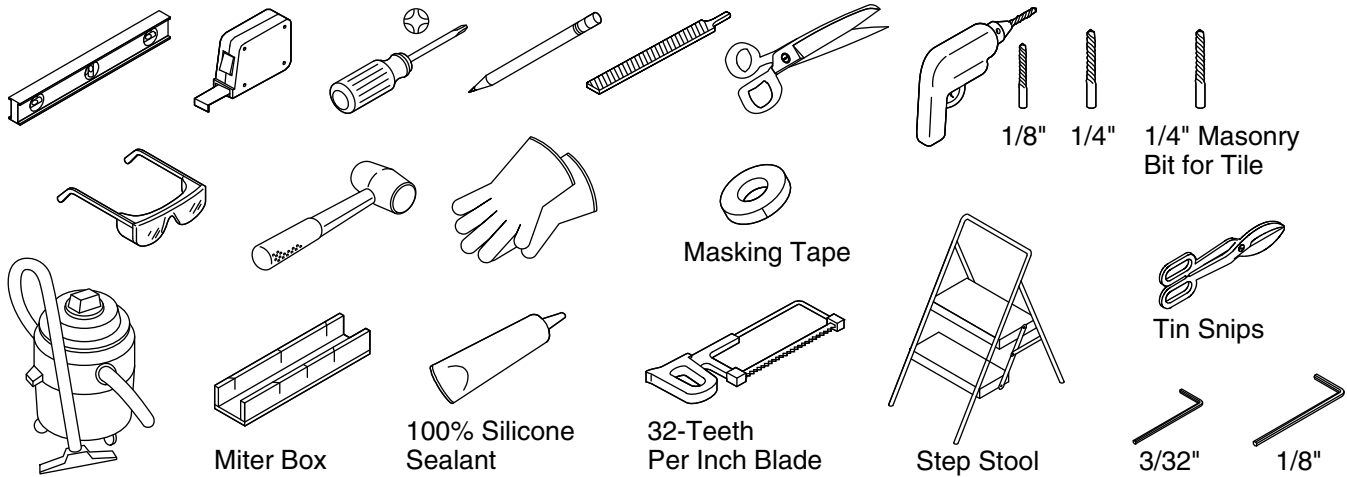
# Installation Guide

## Sliding Shower and Bath Doors

Français, page "Français-1"  
Español, página "Español-1"

THE BOLD LOOK  
OF **KOHLER**®

## Tools and Materials



## Before You Begin



**WARNING: Risk of serious injury.** Damage before installation can result in glass shattering. Inspect the glass and all parts for damage before installation.



**WARNING: Risk of serious injury.** Improper installation can result in glass shattering. Follow all installation instructions.



**WARNING: Risk of serious injury.** Do not cut tempered glass. Tempered glass will shatter if cut.



**WARNING: Risk of serious injury.** Shower door and side panels can shatter. Regularly inspect the glass and all parts for damage, missing or loose parts.



**WARNING: Risk of serious injury.** Always wear safety glasses while cutting and drilling.



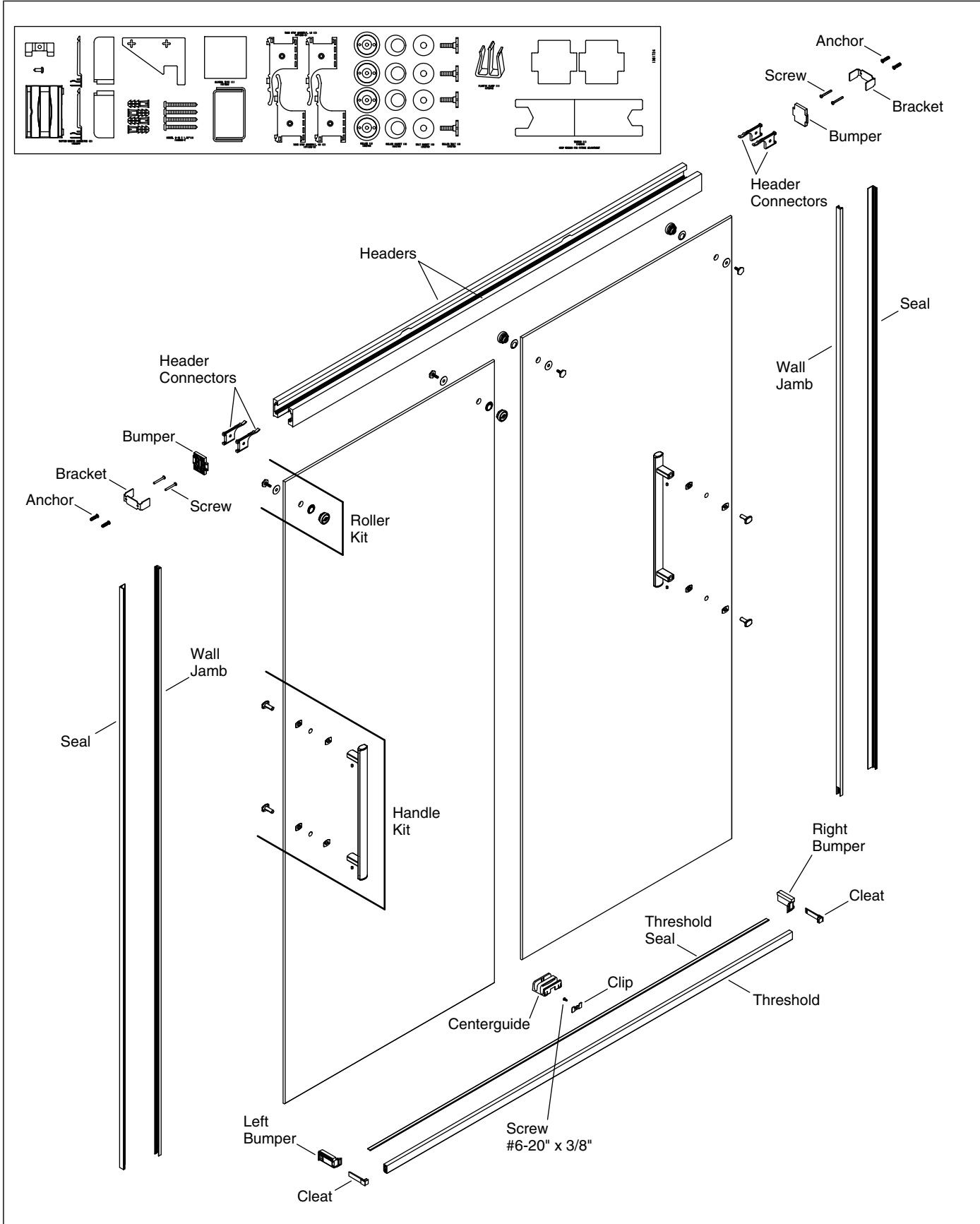
**CAUTION: Risk of personal injury.** Tempered glass should not contact hard surfaces or it may shatter. Do not touch the edge of the tempered glass panel with tools or any hard objects.

**IMPORTANT!** Leave this manual for the end user. Read these instructions before installing or using this product.

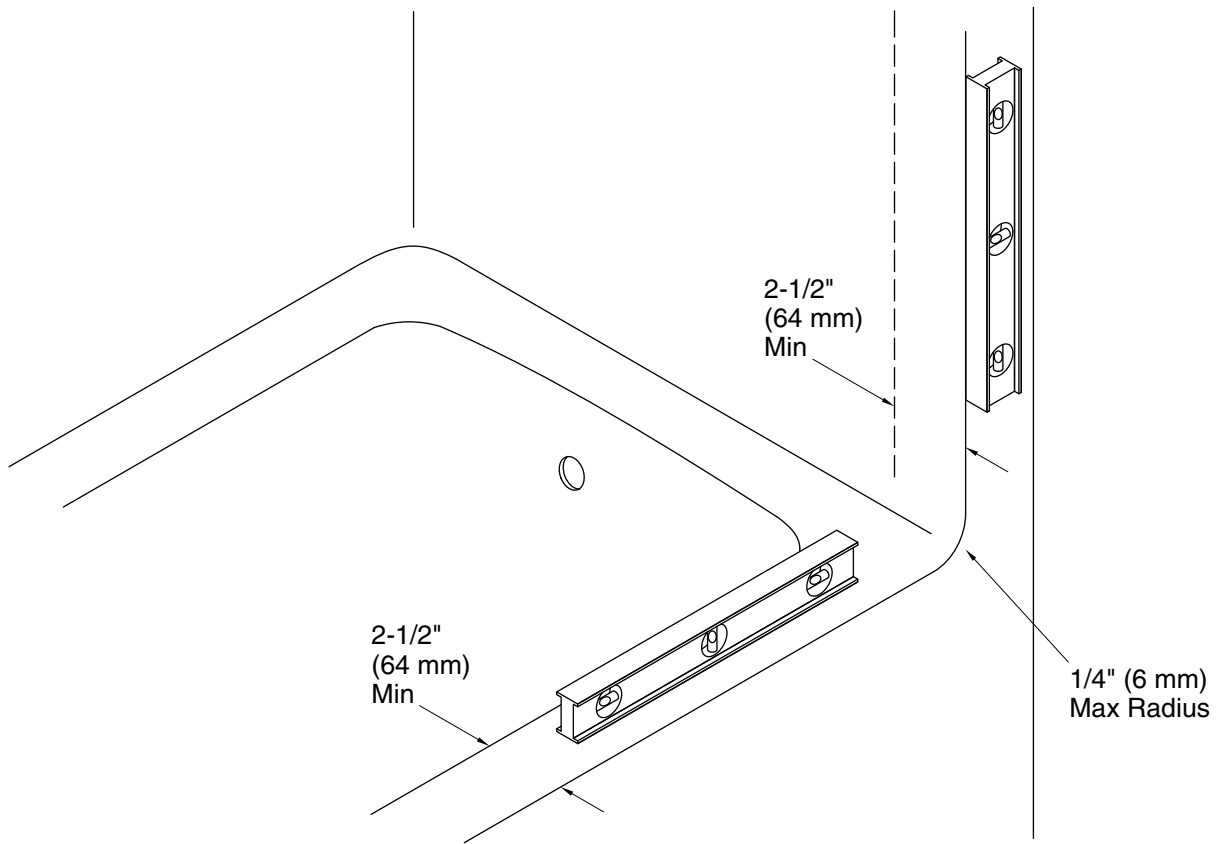
**IMPORTANT!** This door is designed to accommodate walls that are less than 3/8" (10 mm) out of plumb. Verify the area the door will be attached to is within 3/8" (10 mm) of plumb. The door may not function properly if the wall is more than 3/8" (10 mm) out of plumb.

**IMPORTANT!** Do not remove the corner protectors from the door panels until after they are installed.

- Cover the drain with tape to avoid loss of small parts.
- Identify all parts prior to installation.
- Follow the silicone sealant manufacturer's instructions for application and curing time.
- Two people should perform this installation.
- To watch this installation video online, visit [us.kohler.com](http://us.kohler.com) and search for your product number.



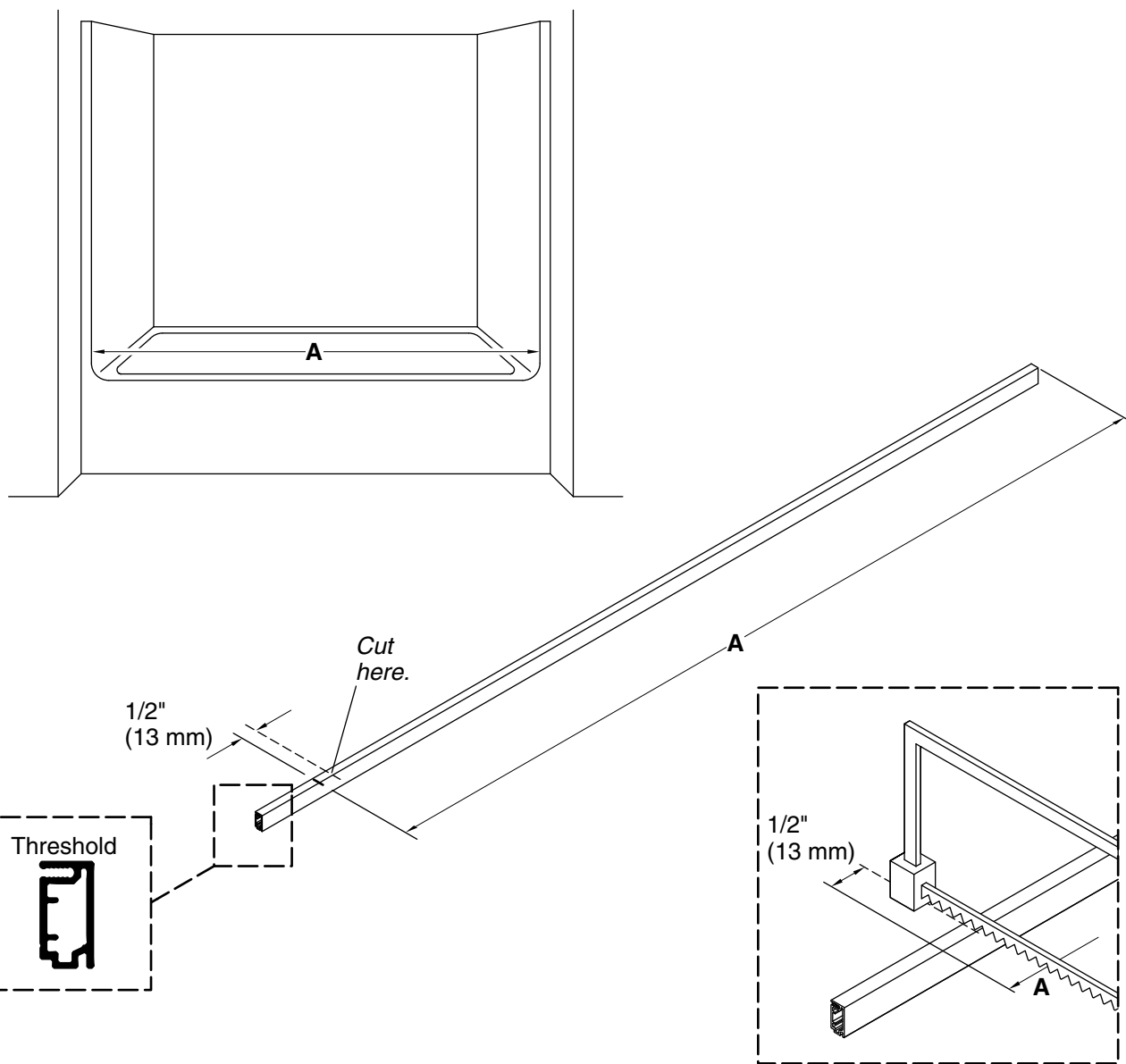
**Parts Identification**



## 1. Confirm Ledge and Wall Compatibility

**IMPORTANT!** For proper door alignment and operation, confirm that the shower base/bath ledge and walls meet the following requirements. **Do not install the door** if these requirements are not met.

- There must be at least 2-1/2" (64 mm) of flat surface on the shower base/bath ledge and walls.
- Walls must be within 3/8" (10 mm) of plumb.
- The shower base/bath ledge must be level between the walls.
- The radius of the shower base/bath ledge where it meets the wall must be 1/4" (6 mm) or less.

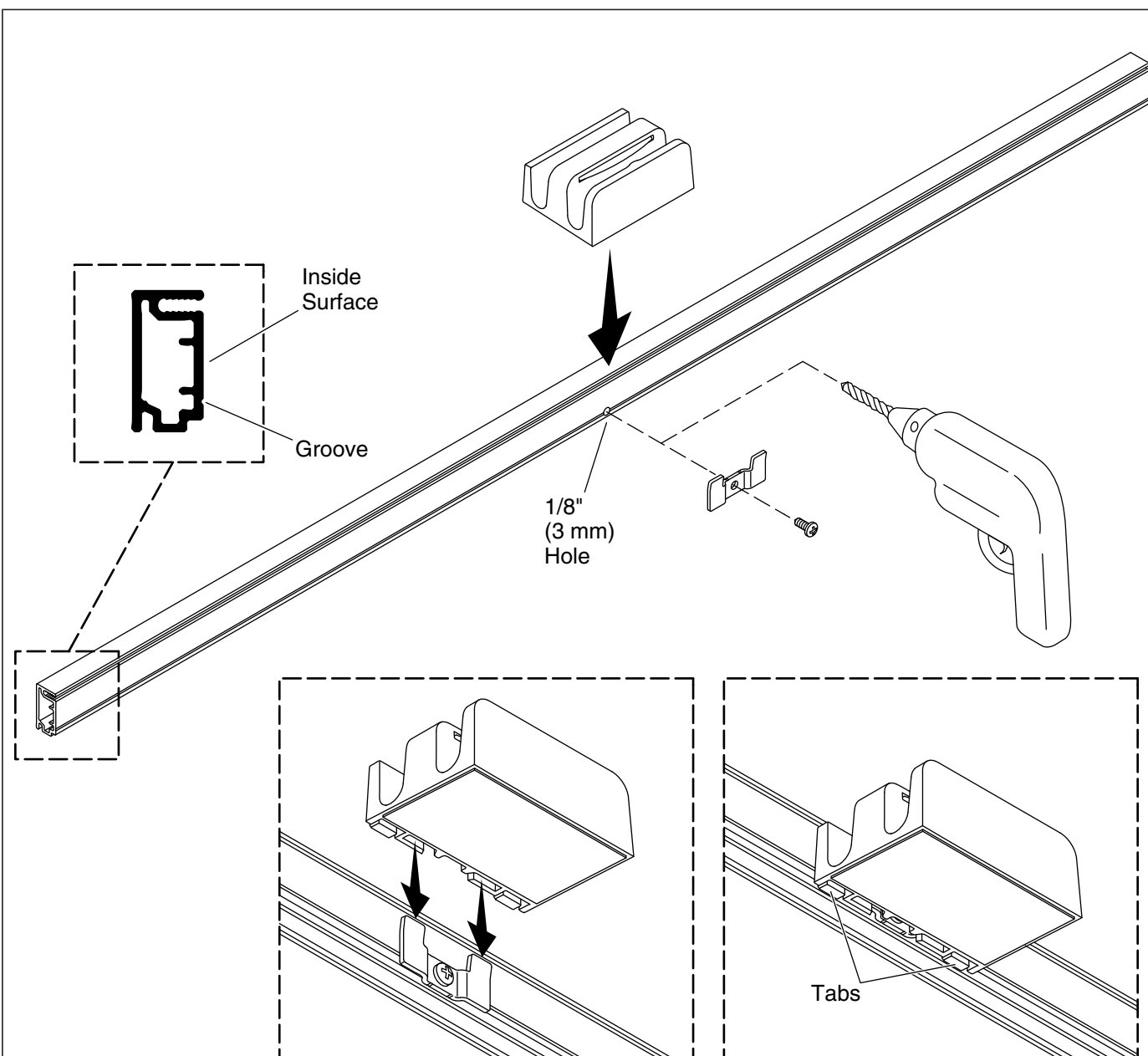


## 2. Measure and Cut the Threshold



**WARNING: Risk of serious injury.** Always wear safety glasses while cutting and drilling.

- Cover the drain with tape to avoid the loss of small parts.
- Use a drop cloth to protect the shower surface.
- Measure distance "A" between the shower walls and mark it on the threshold.
- Measure 1/2" (13 mm) from "A" and make a second mark on the threshold as shown.
- Cut the threshold at the second mark and file any rough edges.

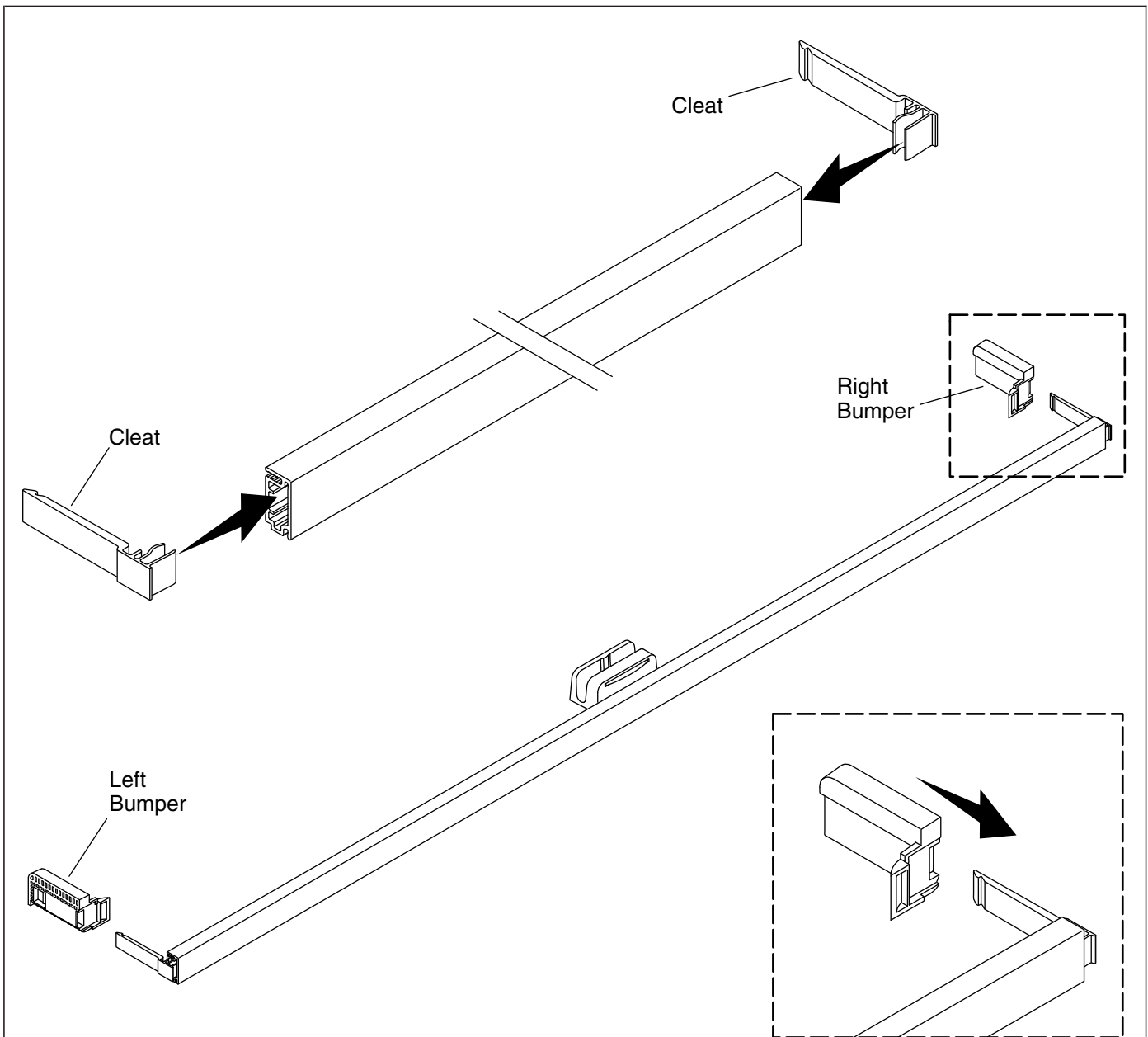


### 3. Install the Centerguide

- Measure the center of the threshold. Mark the centerline near the groove on the inside surface of the threshold.

**IMPORTANT!** Drill through the inside surface only.

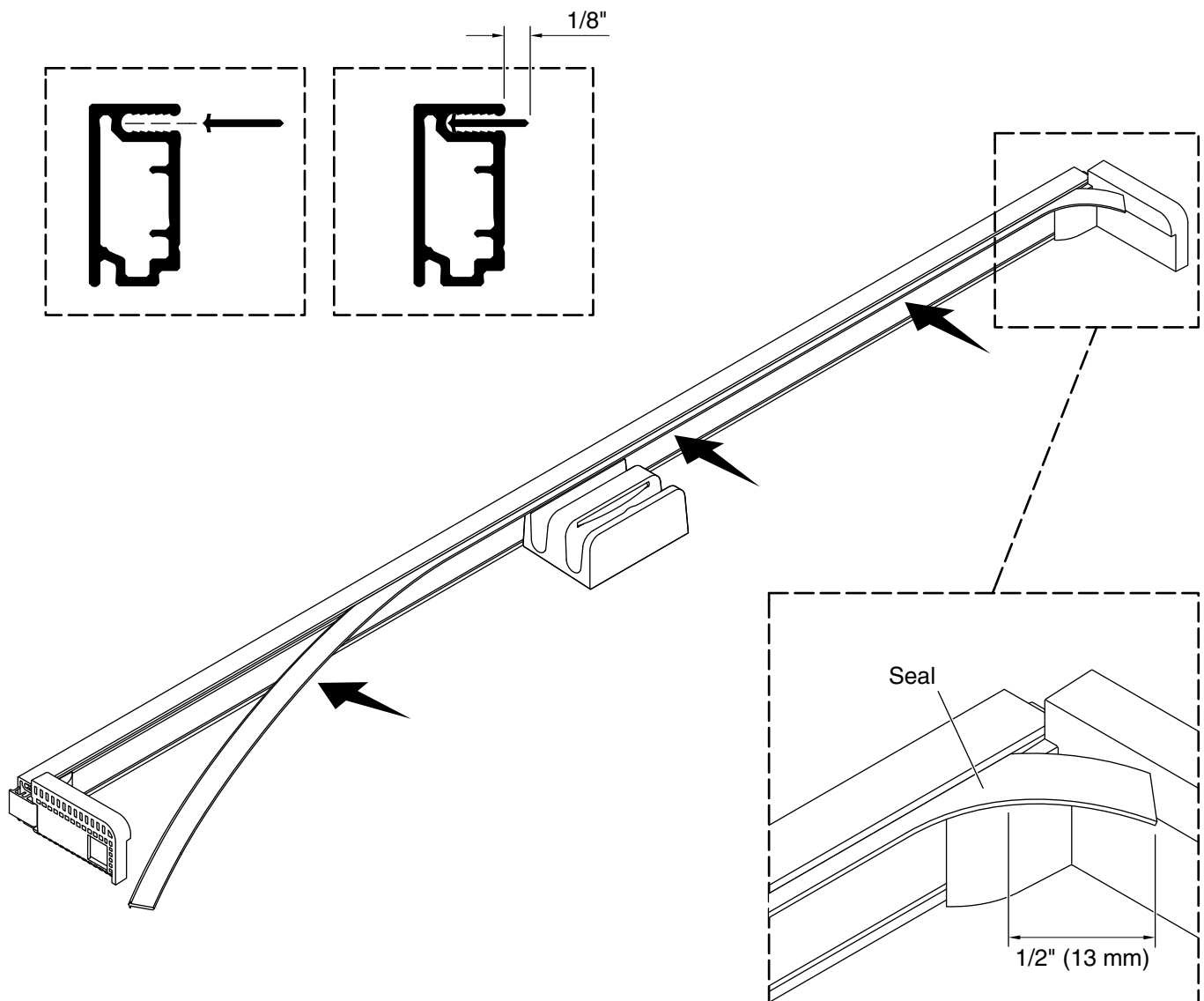
- Drill a 1/8" hole at the centerline on the groove of the inside surface of the threshold.
- Install the centerguide clip to the threshold with the supplied #6 x 3/8" screw.
- Press the centerguide over the clip. Make sure the centerguide is completely installed with the tabs snapped under the bottom of the threshold.



#### 4. Install the Bumpers to the Threshold

**NOTE:** There is a left side and right side bumper. The cleats are identical.

- Install a cleat into each end of the threshold so that they point in the same direction as the centerguide.
- Press the left and right bumpers onto the cleats as shown.

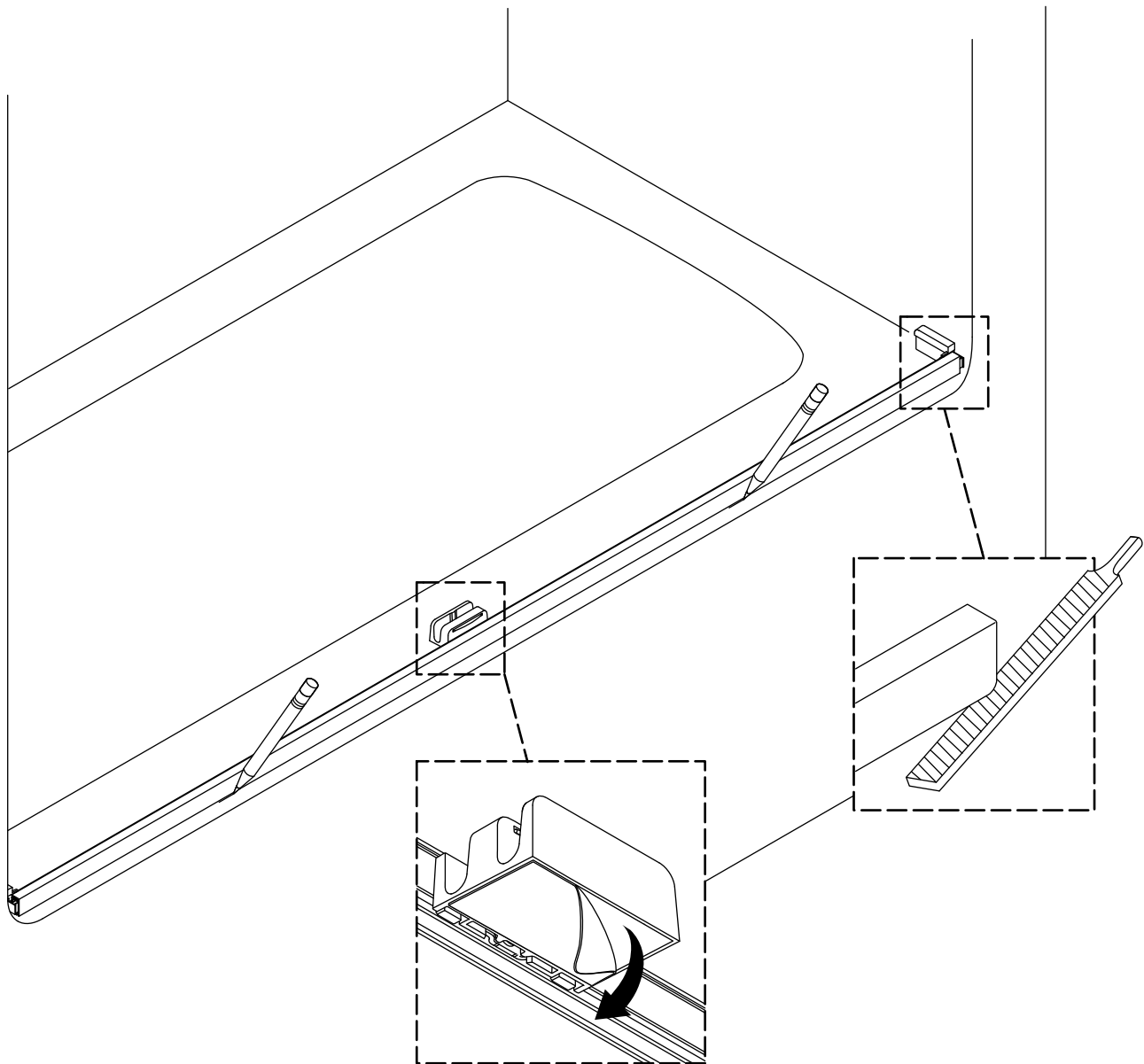


## 5. Install the Threshold Seal

**IMPORTANT!** The seal must be installed with at least 1/2" (13 mm) extending beyond each end of the threshold. The seal will be cut to fit after the threshold has been installed.

- Press the seal into the channel in the threshold, leaving approximately 1/2" (13 mm) extending beyond the end of the threshold.

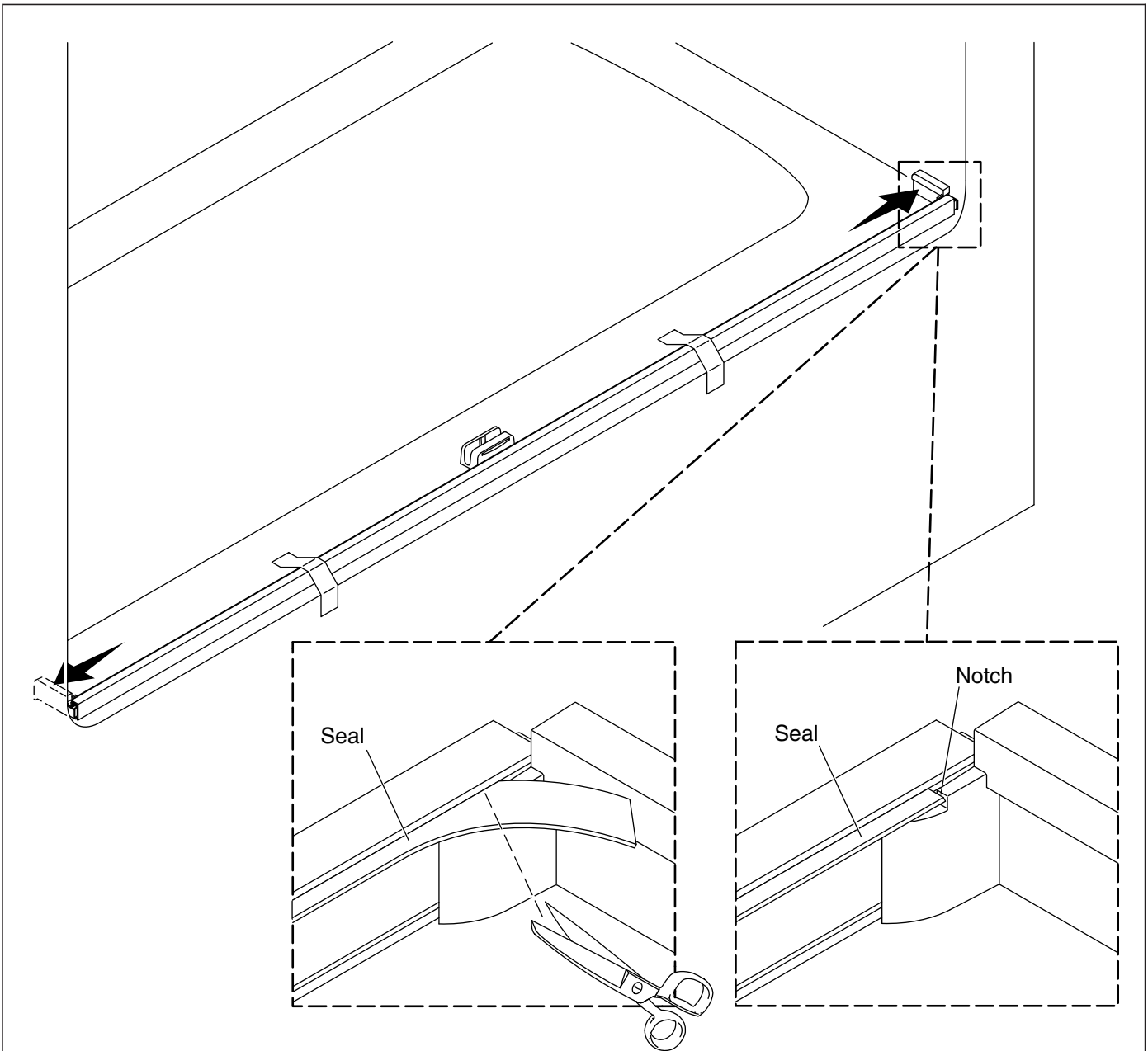




## 6. Position the Threshold

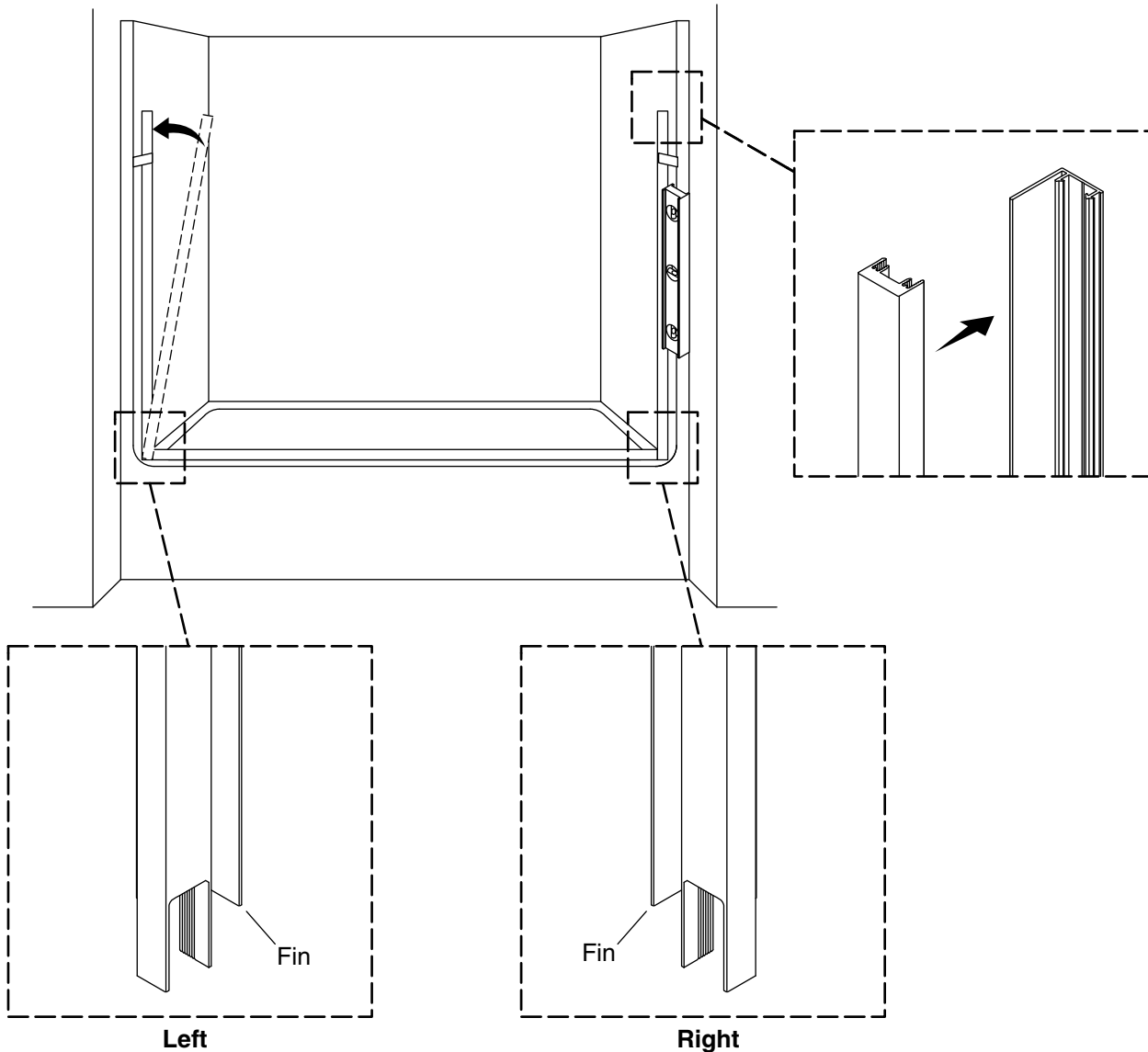
**NOTICE:** The threshold must sit on a flat surface.

- Thoroughly clean the shower base/bath ledge before proceeding.
- If needed, file the ends of the threshold to match the corner radius of the shower wall.
- Set the threshold assembly on the flat surface of the shower base/bath ledge, as close to the outside edge as possible.
- Align the threshold even distance along the ledge.
- Mark the threshold location, then remove the threshold.
- Remove the film from the adhesive on the bottom of the centerguide.
- Install the threshold on the marks and press firmly on the centerguide to bond the adhesive.



## 7. Complete the Threshold

- Use masking tape to temporarily secure the threshold in place until the wall jambs are installed.
- Press the bumpers against the walls.
- Use a scissors to trim the seal at each end of the threshold so that it mates with the notch in the bumper.

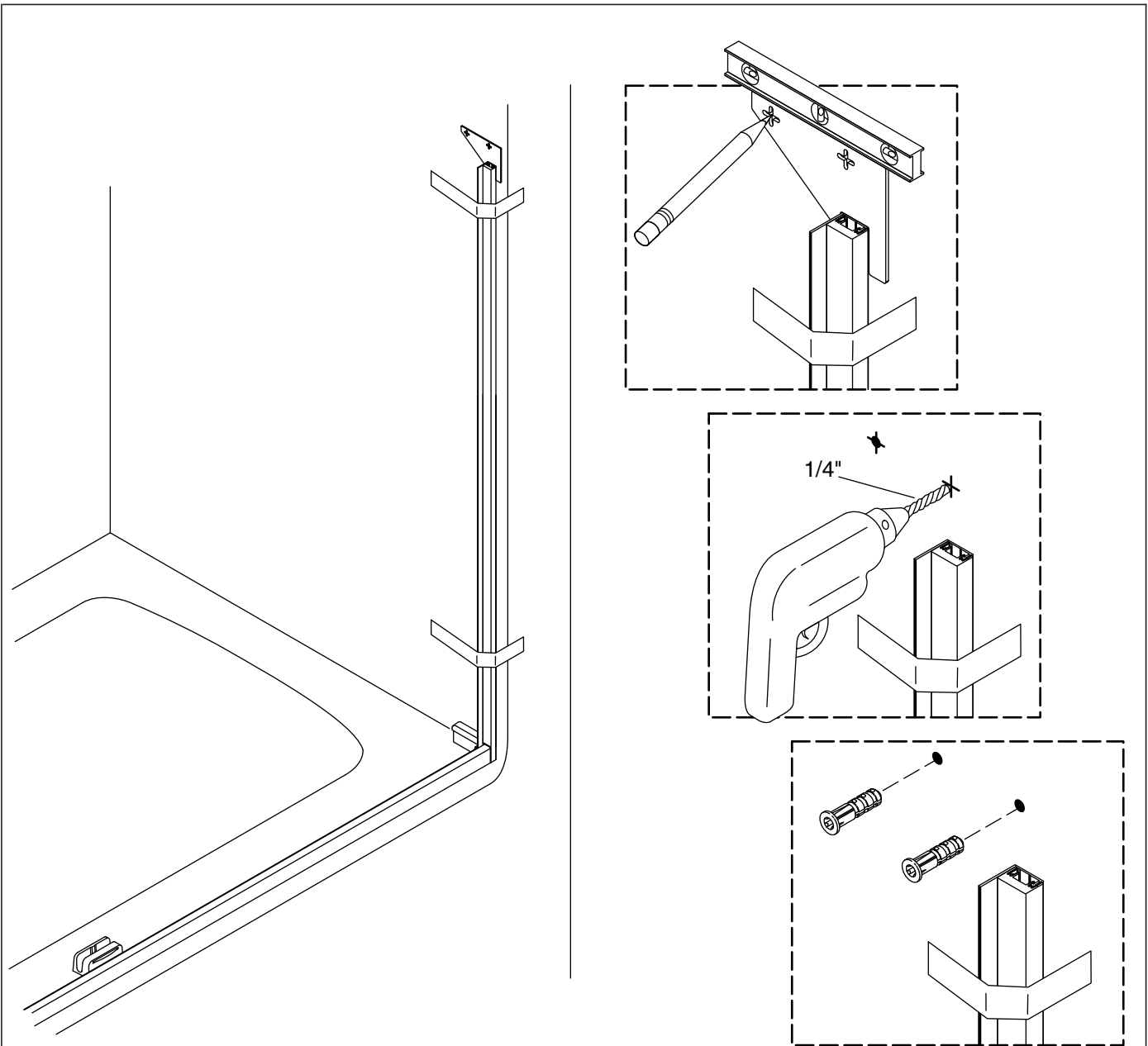


## 8. Assemble and Position the Wall Jambs

**NOTE:** The flexible fin of the seal is on the inside of the wall jambs.

**NOTE:** The wall jambs are longer than the seals.

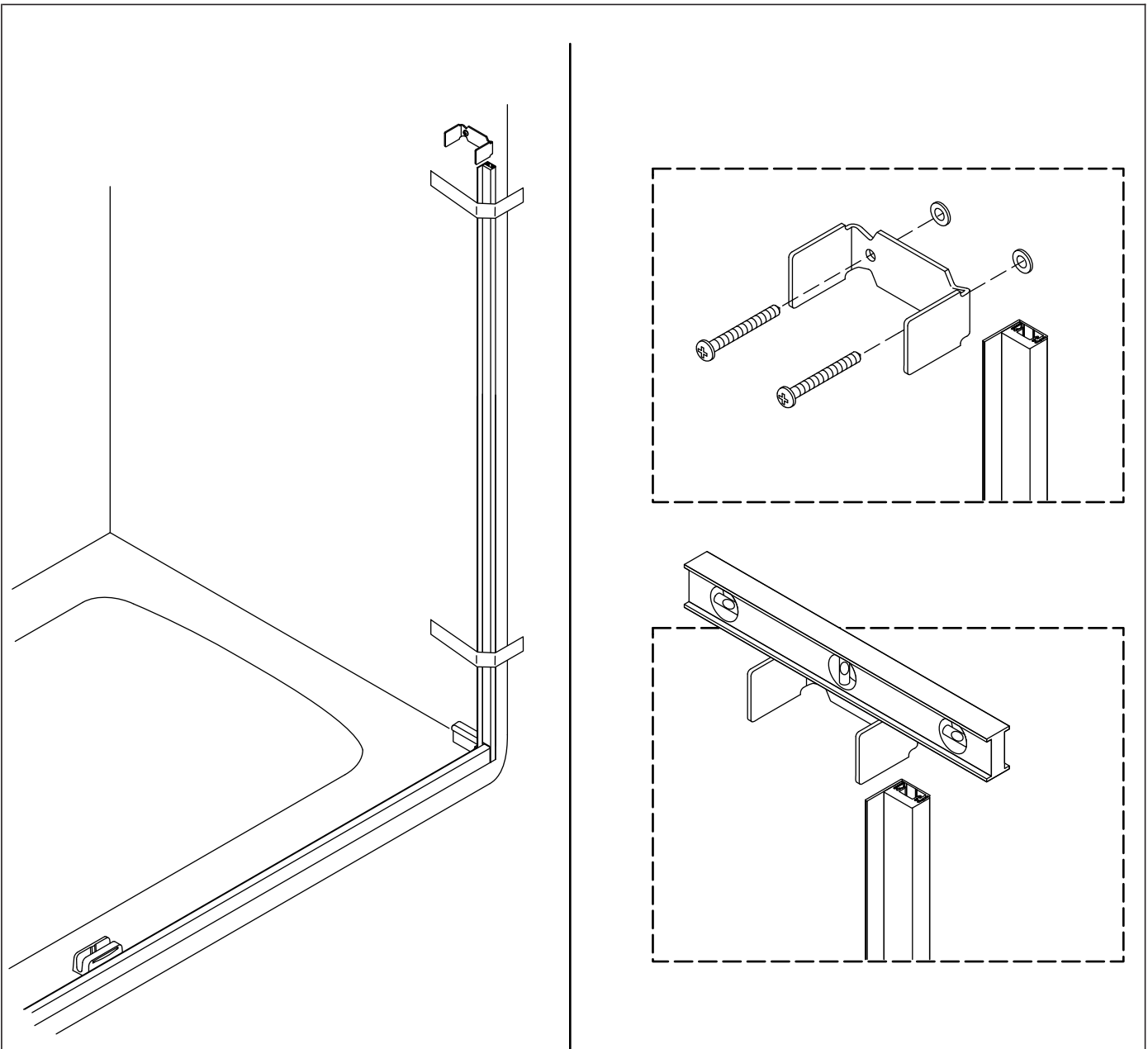
- Starting at the top, press a seal onto each wall jamb so that there is a left-side assembly and a right-side assembly as shown.
- Position the wall jamb assemblies over the threshold so the flexible fin is on the inside of shower. If needed, snip the corners of the metal to fit the corner radius of the shower wall.
- Use a level to plumb the wall jambs and mark the locations on the wall.
- Use masking tape to temporarily secure the upper part of the wall jambs in place. Do not secure with the adhesive on the back of the seal at this time.



## 9. Prepare the Wall Bracket Holes

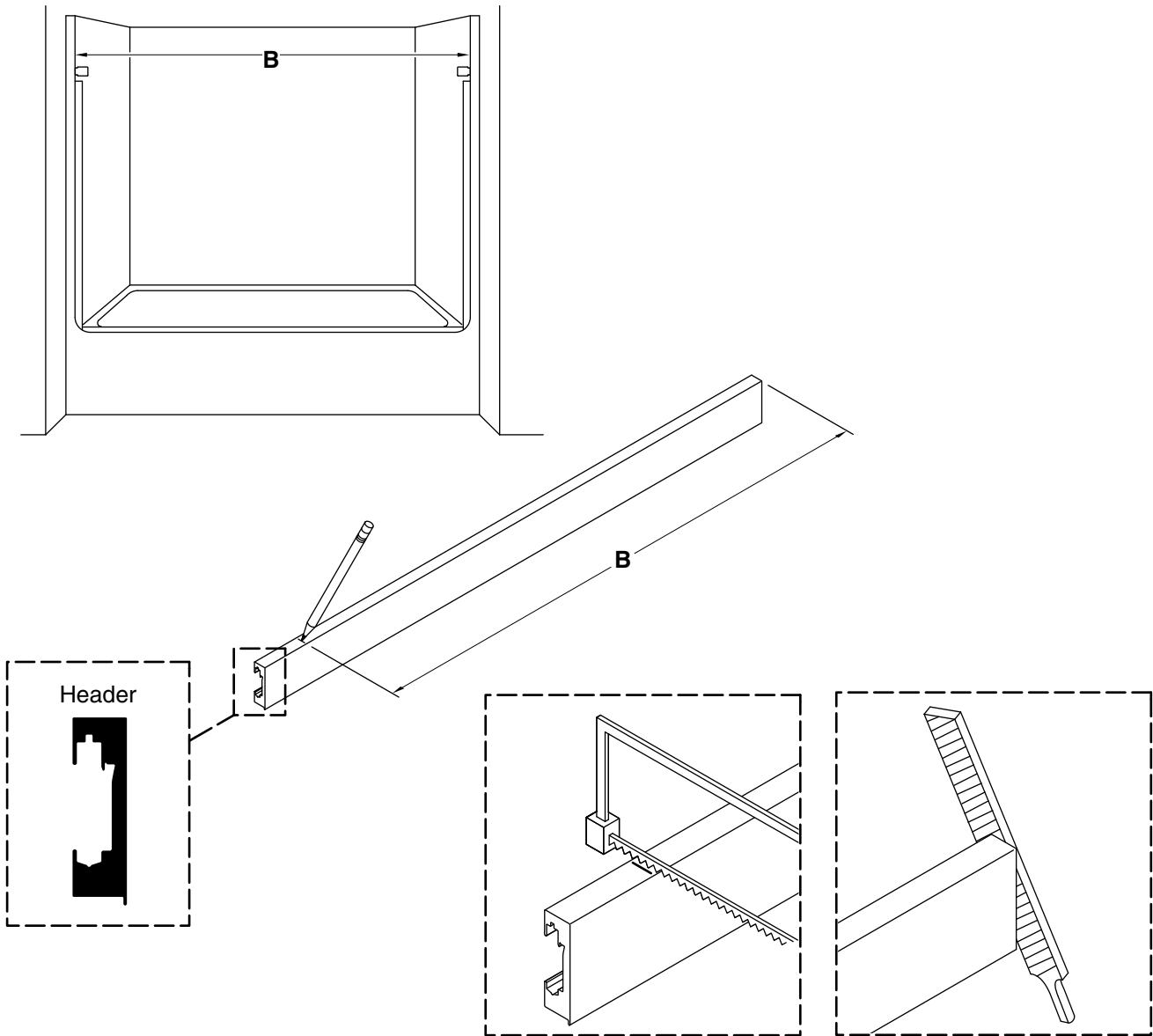
**IMPORTANT!** Hole locations for the wall brackets are critical. Make sure the holes are properly marked and drilled straight into the wall.

- Make sure the top of the wall jamb is secured in place with masking tape.
- Place the drill template over the wall jamb, pointing into the shower as shown.
- Verify that the template is fully seated over the wall jamb, flat against the wall, and level.
- Mark the hole locations.
- Remove the template and drill 1/4" holes straight into the wall at the marked locations. **Make sure the drill is not at an angle when drilling.**
- Install the provided wall anchors. Make sure the anchors are fully seated into the wall.
- Repeat for the second wall jamb.



## 10. Install the Wall Brackets

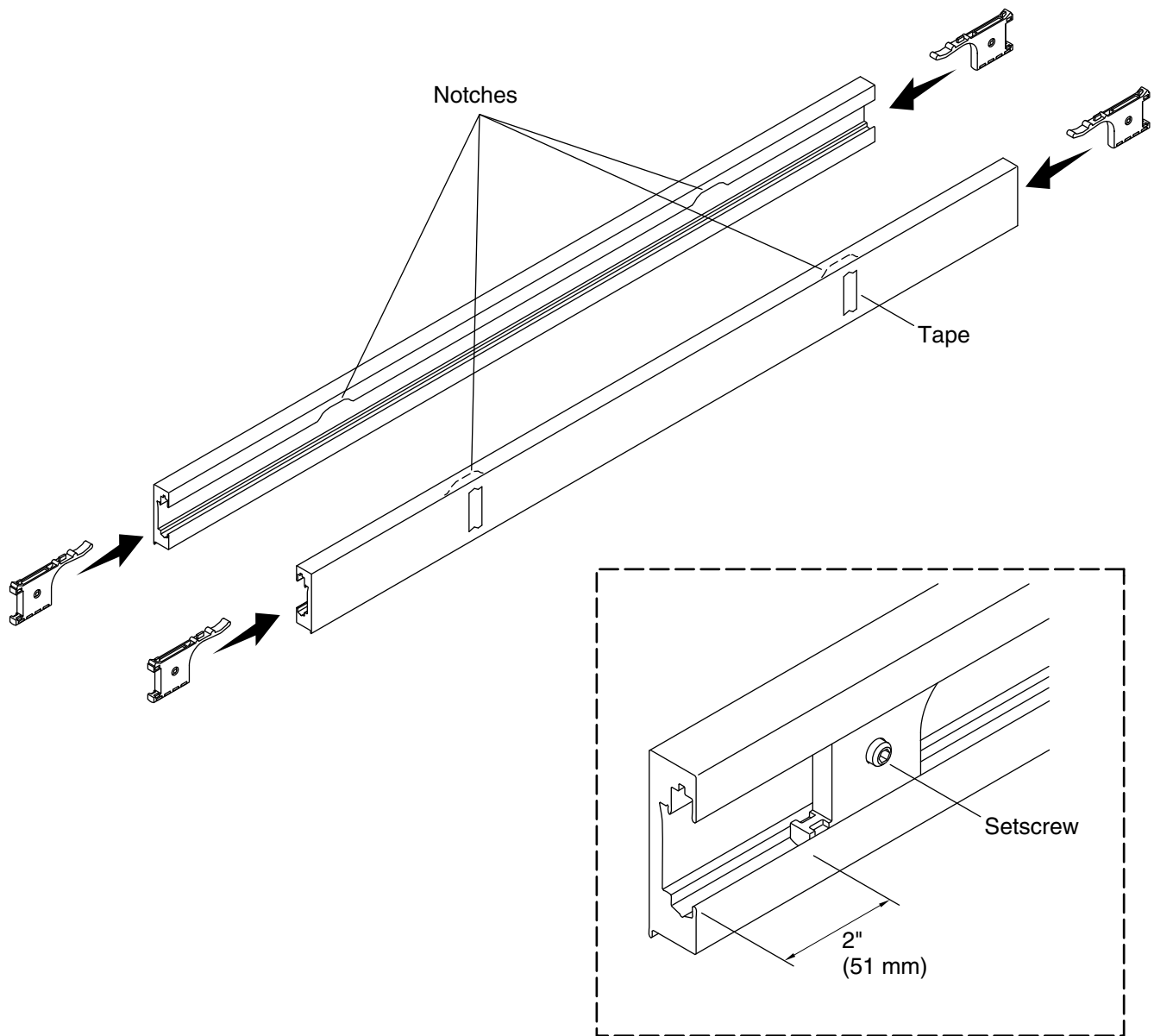
- Thoroughly clean the wall and shower area before proceeding.
- Secure each bracket to the wall using two #8-18 x 1-1/2" screws.
- Verify that the bracket is level. Loosen the screws and adjust the bracket position if needed.
- Repeat for the second bracket.



## 11. Measure and Cut the Headers

**IMPORTANT!** Confirm your measurements before cutting. **Do not cut the headers too short.**

- Measure distance "B" between the finished shower walls and mark it on each of the two headers.
- Using a hand saw, position the blade just inside the marked line. Cut each header just inside the marked line.
- File any rough edges and clean debris from the roller tracks.

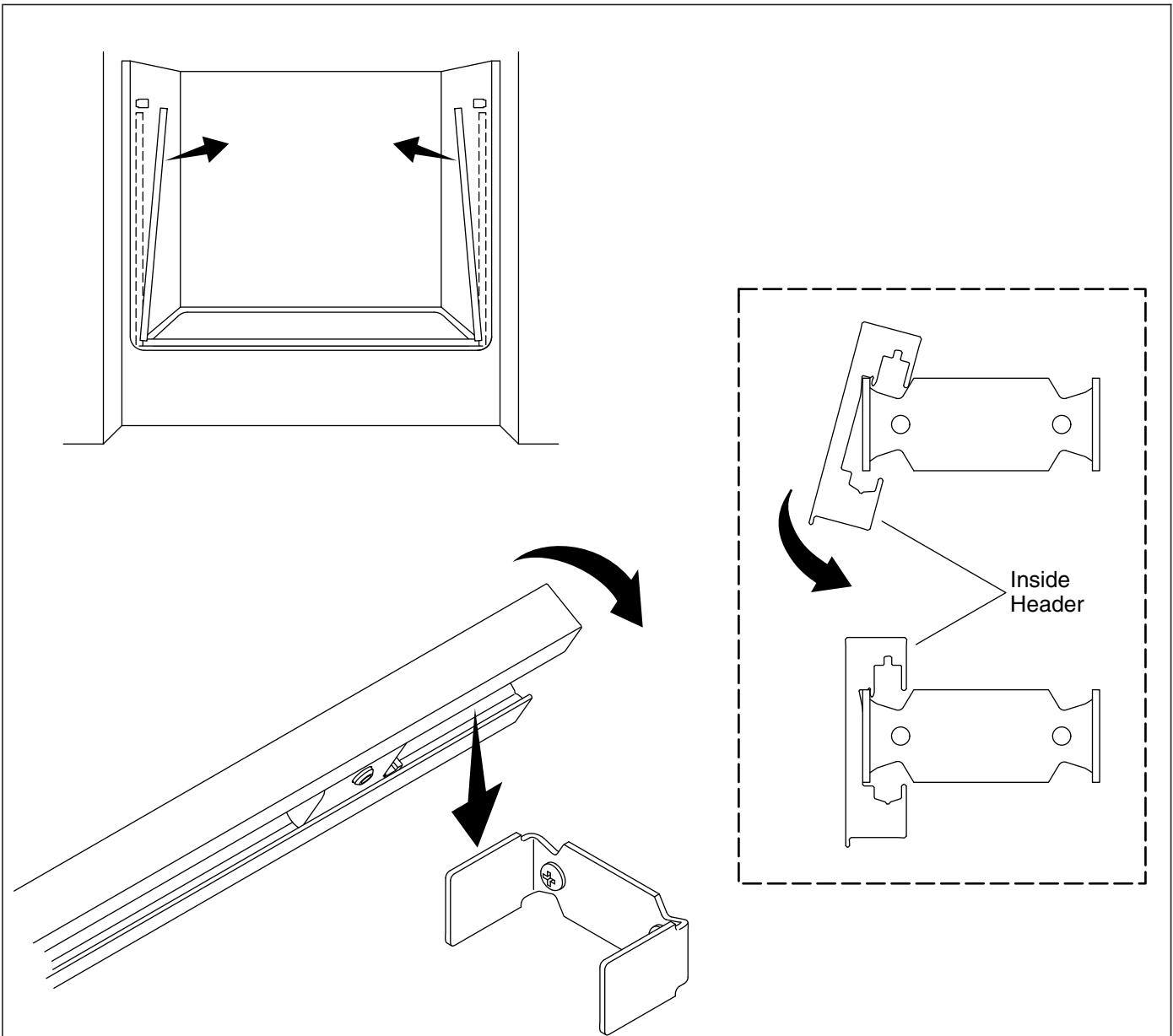


## 12. Install the Connectors to the Headers

- Locate the notches along the inside tracks of the headers.
- Mark the locations with pieces of tape on the outside of the headers. This will help with door panel installation later.

**NOTE:** Inner and outer headers are identical.

- Push a header connector into the end of each header as shown. The hex screw head should be visible.
- Position each connector approximately 2" (51 mm) from the ends of the headers so they are clear of the brackets during header installation.



### 13. Position the Inside Header

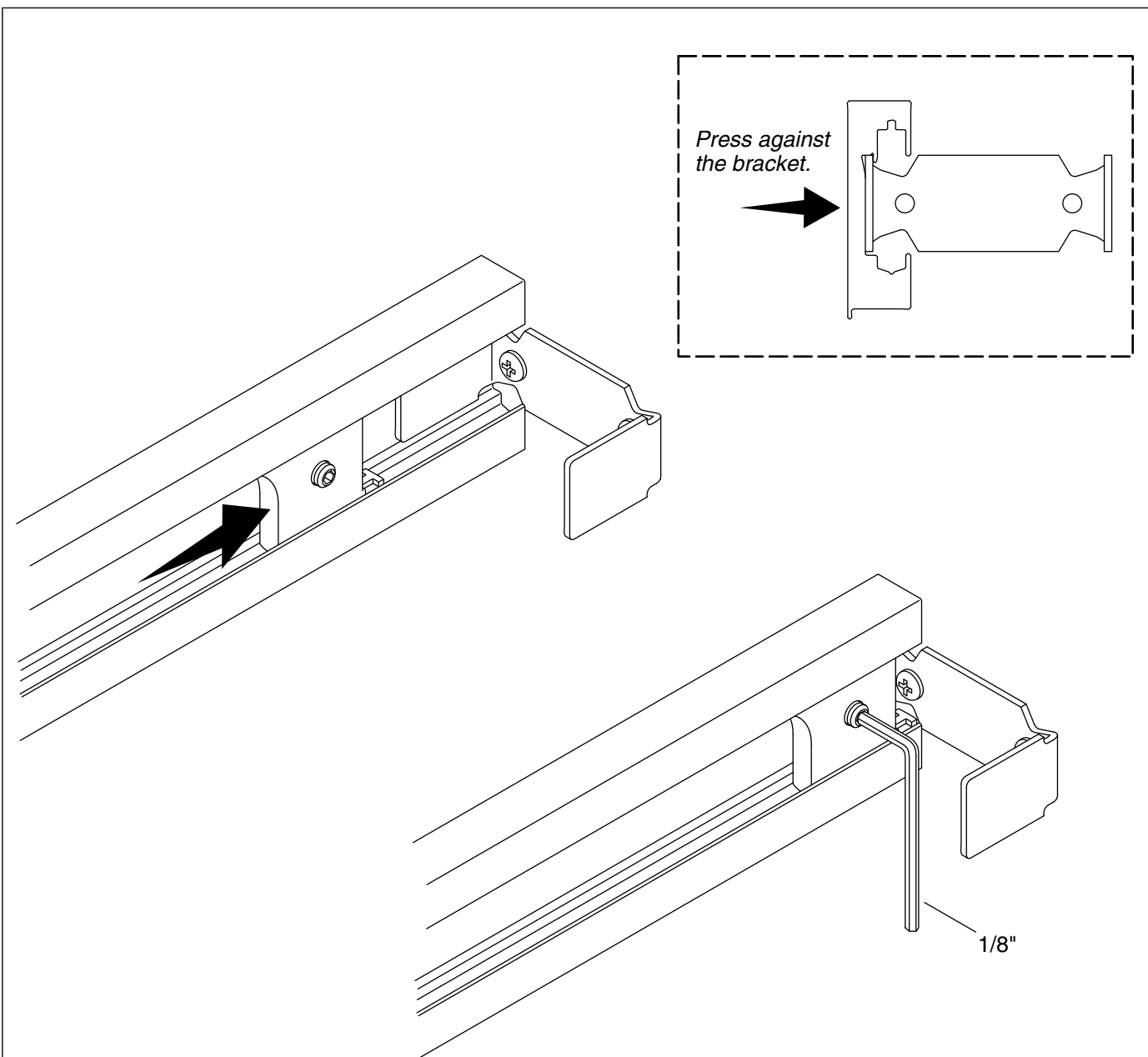
**IMPORTANT!** Install only the inside header at this time.

**NOTICE:** The two headers are identical.

- To ease installation of the header, remove the temporarily positioned wall jacks.
- With the flat face of the header facing the inside of the shower, tilt the header as shown and lower it on to both brackets at the same time.
- Rotate the header onto both brackets at the same time to a vertical position.

**NOTE:** The header will be slightly loose. It will be secured in the next section.





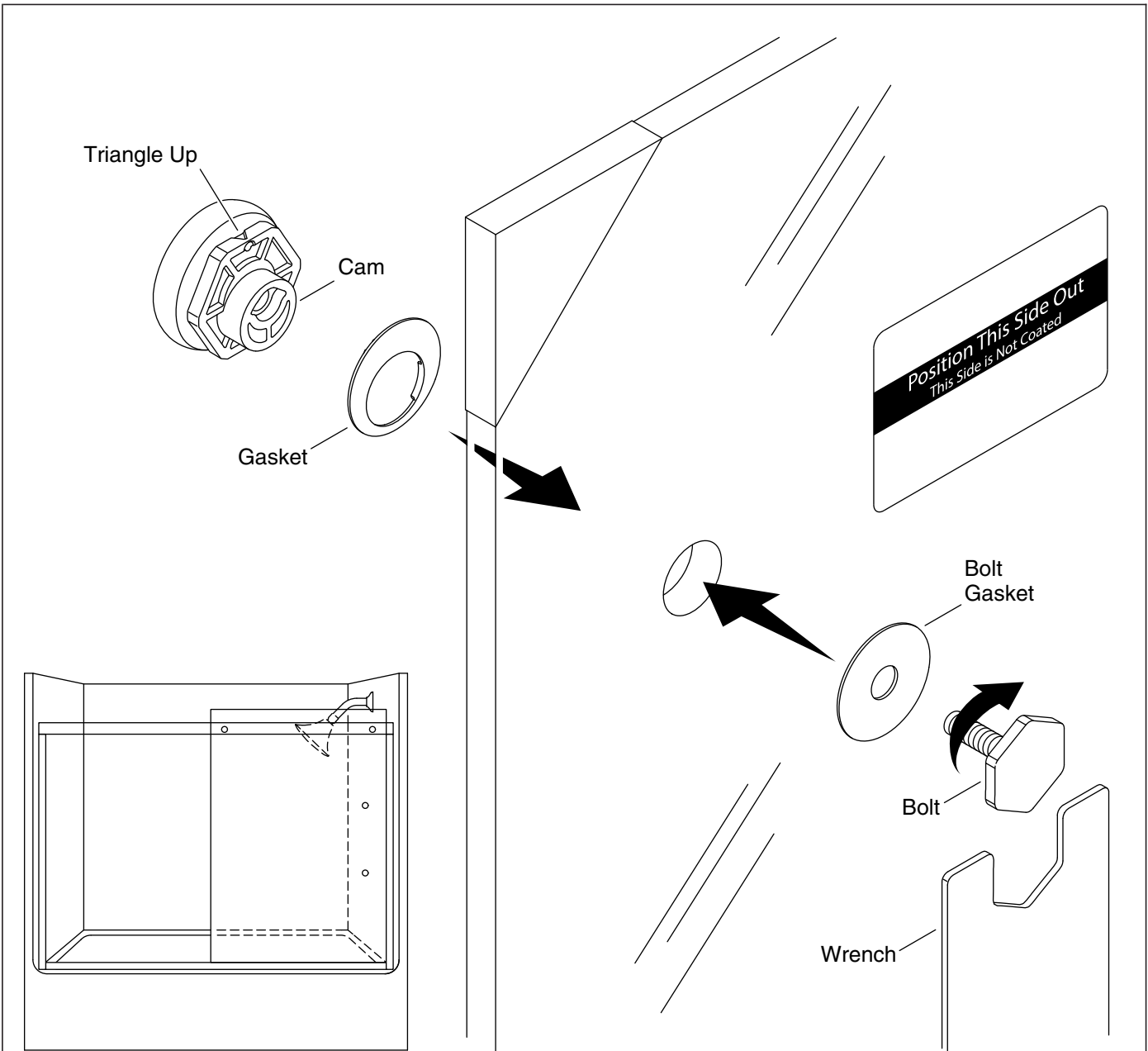
#### 14. Secure the Inside Header to the Bracket

**IMPORTANT!** The inside header is secured to the brackets in this step so that the door panel may be hung.

- Press the header against the bracket, and slide the header connectors all the way to the wall at each end of the header.

**NOTE:** If the header connector does not slide over the bracket, either the screw must be loosened, the header is not properly installed on the bracket, or the bracket is tilted away from the wall. Make any adjustments as necessary.

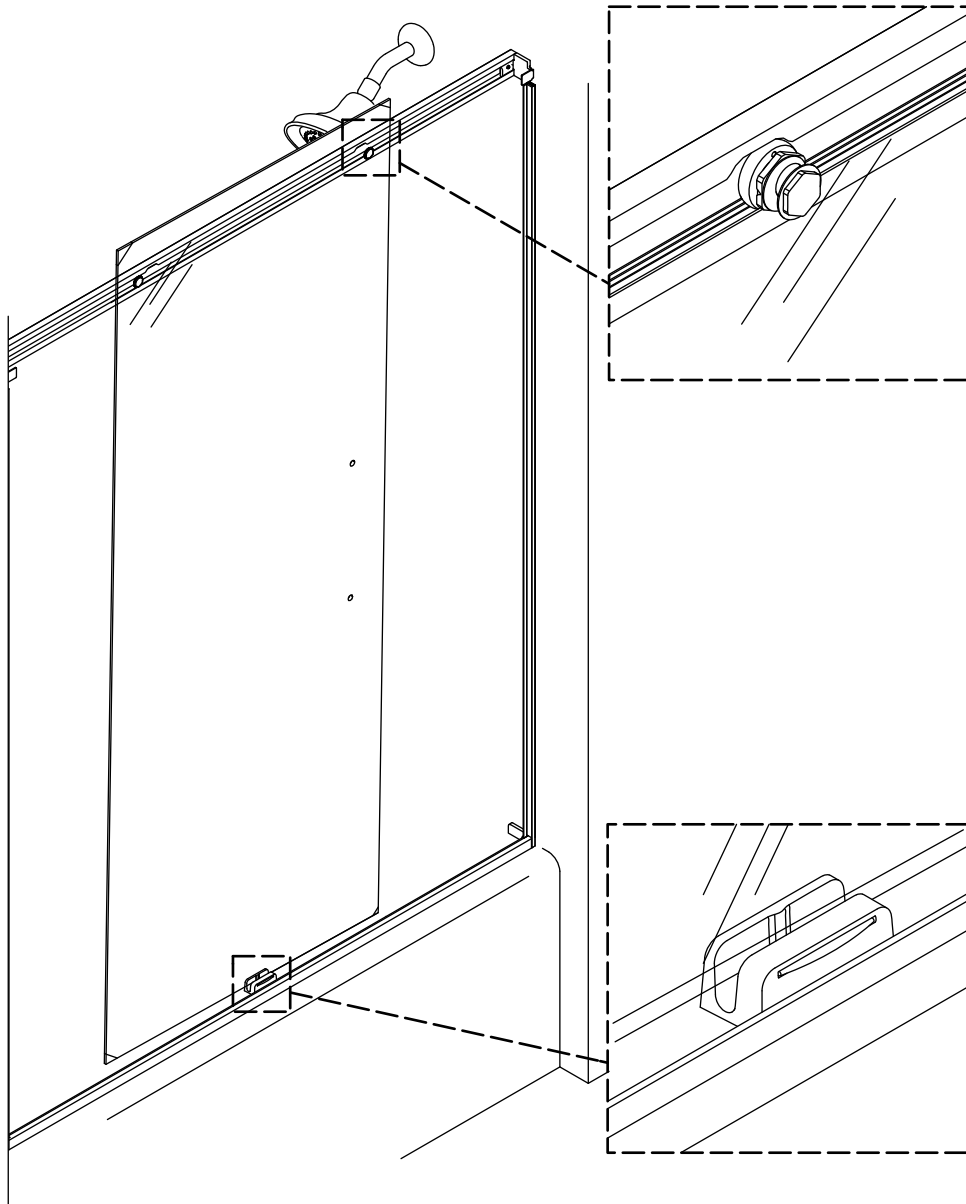
- Secure the header by tightening each header connector screw with a 1/8" hex wrench.



## 15. Assemble the Inside Panel Rollers

**NOTICE:** There is a triangle shape molded on one of the flats of the roller.

- Orient the door panel so that the handle holes are on the showerhead side and the label faces the outside of the shower.
- Position the roller and gasket on the opposite side of the panel as the label as shown, and insert the roller cam into the hole.
- Orient the roller so that the triangle is pointing up. This sets the door at its lowest position, making adjustments easier.
- Firmly handtighten the roller to the glass with the gasket and bolt.
- Using the supplied wrench, securely tighten the bolt at least 3/4 turn past hand-tight. The gasket may flex as the bolt is tightened.
- Repeat these steps for the second roller.



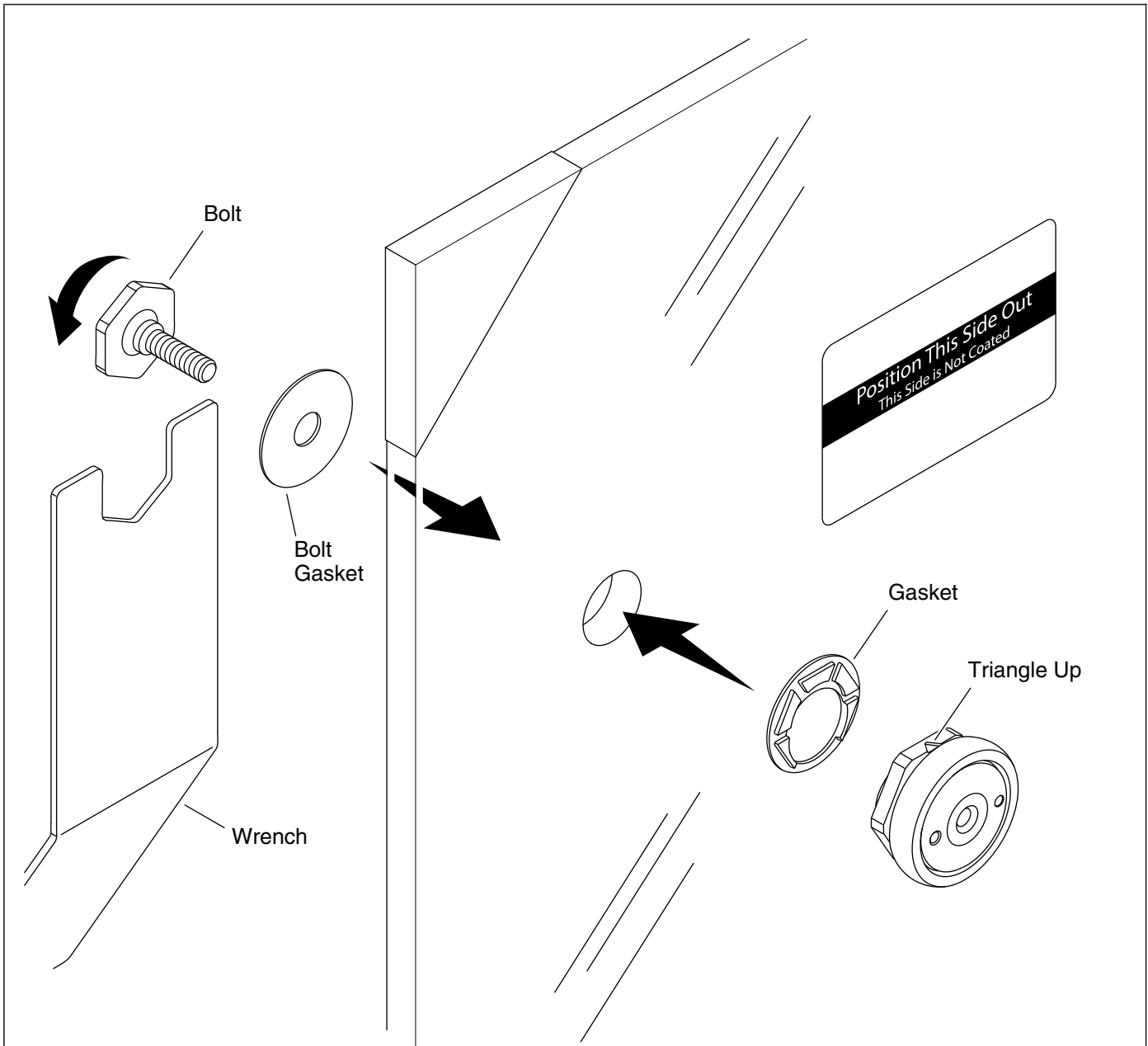
## 16. Install the Inside Panel

**CAUTION: Risk of product damage:** Once installed, do not move the panel close to the wall because the top bumpers are not installed at this time.

**NOTE:** The corner protectors should still be installed on the panel at this time.

**NOTE:** The rollers face the inside of the shower and the label faces the outside of the shower.

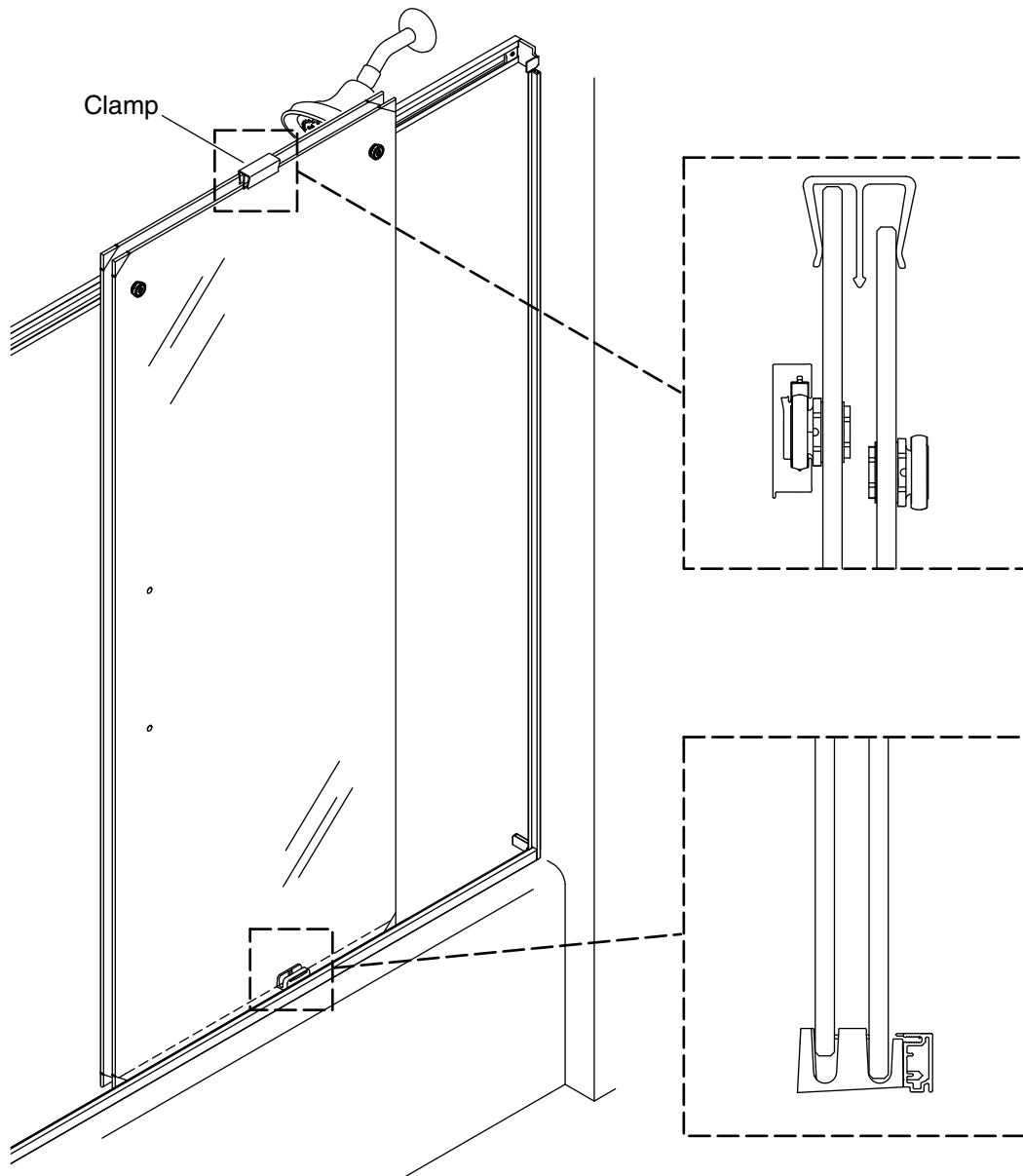
- With help, from outside the shower, lift the panel and place the bottom into the inside channel in the centerguide.
- Lift the panel just enough to place a roller into one notch on the header. Then slide the panel over so the second roller is aligned with the other notch in the header.
- Verify that the bottom of the door panel is still in the inside channel of the centerguide.



## 17. Assemble the Outside Panel Rollers

**NOTICE:** There is a triangle shape molded on one of the flats of the roller.

- Orient the door panel so that the handle holes are on the opposite side as the showerhead and the label faces the outside of the shower.
- Position the roller and gasket on the same side of the panel as the label as shown, and insert the roller cam into the hole.
- Orient the roller so that the triangle is pointing up. This sets the door at its lowest position, making adjustments easier.
- Firmly handtighten the roller to the glass with the gasket and bolt.
- Using the supplied wrench, securely tighten the bolt at least 3/4 turn past hand-tight. The gasket may flex as the bolt is tightened.
- Repeat these steps for the second roller.



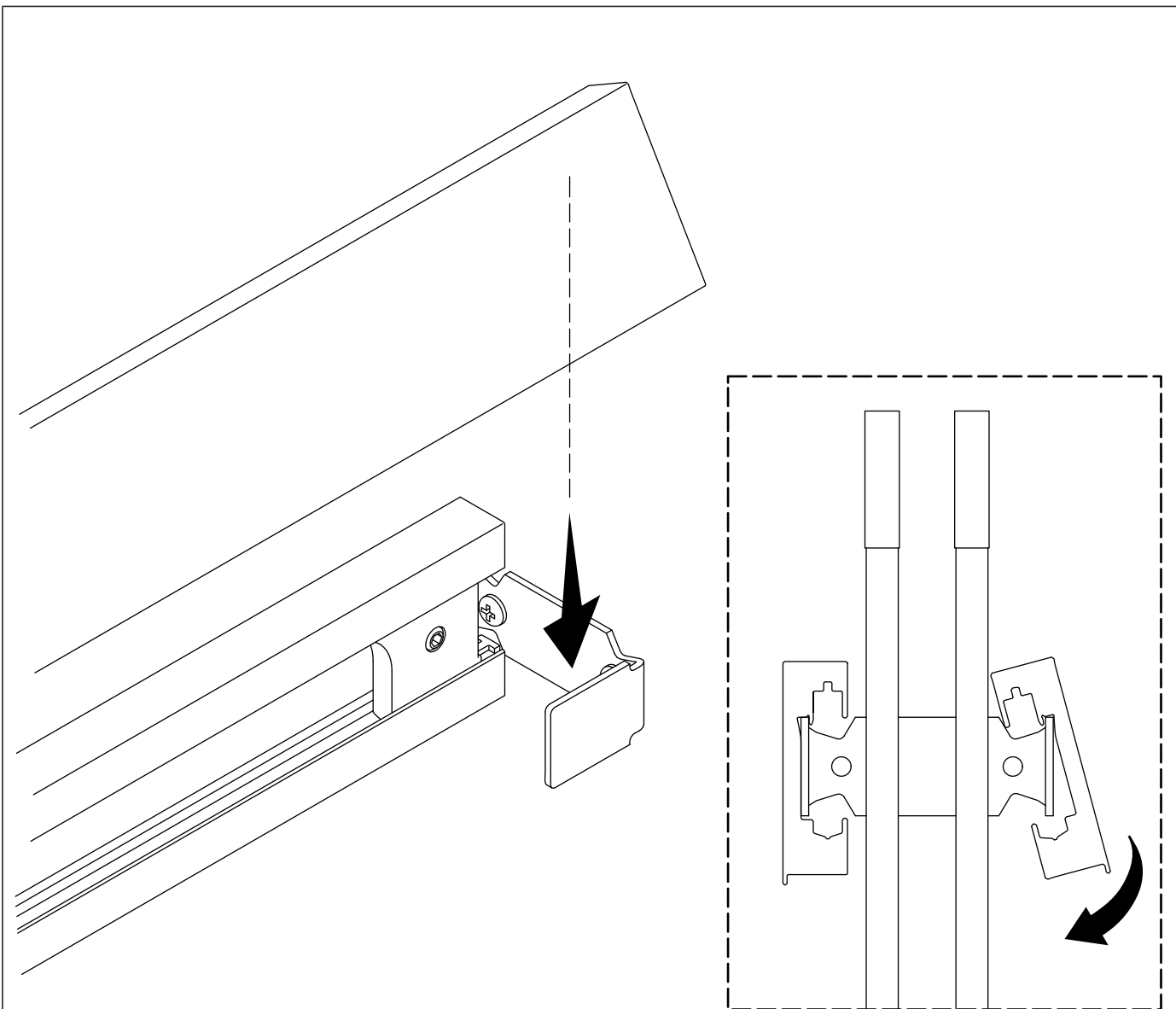
## 18. Position the Outside Panel

**NOTE:** The corner protectors should still be installed on the panel at this time.

**NOTE:** The rollers and the label face the outside of the shower.

**NOTE:** Place the installation clamp where you can reach it before this step, or place it on the top of the glass panel.

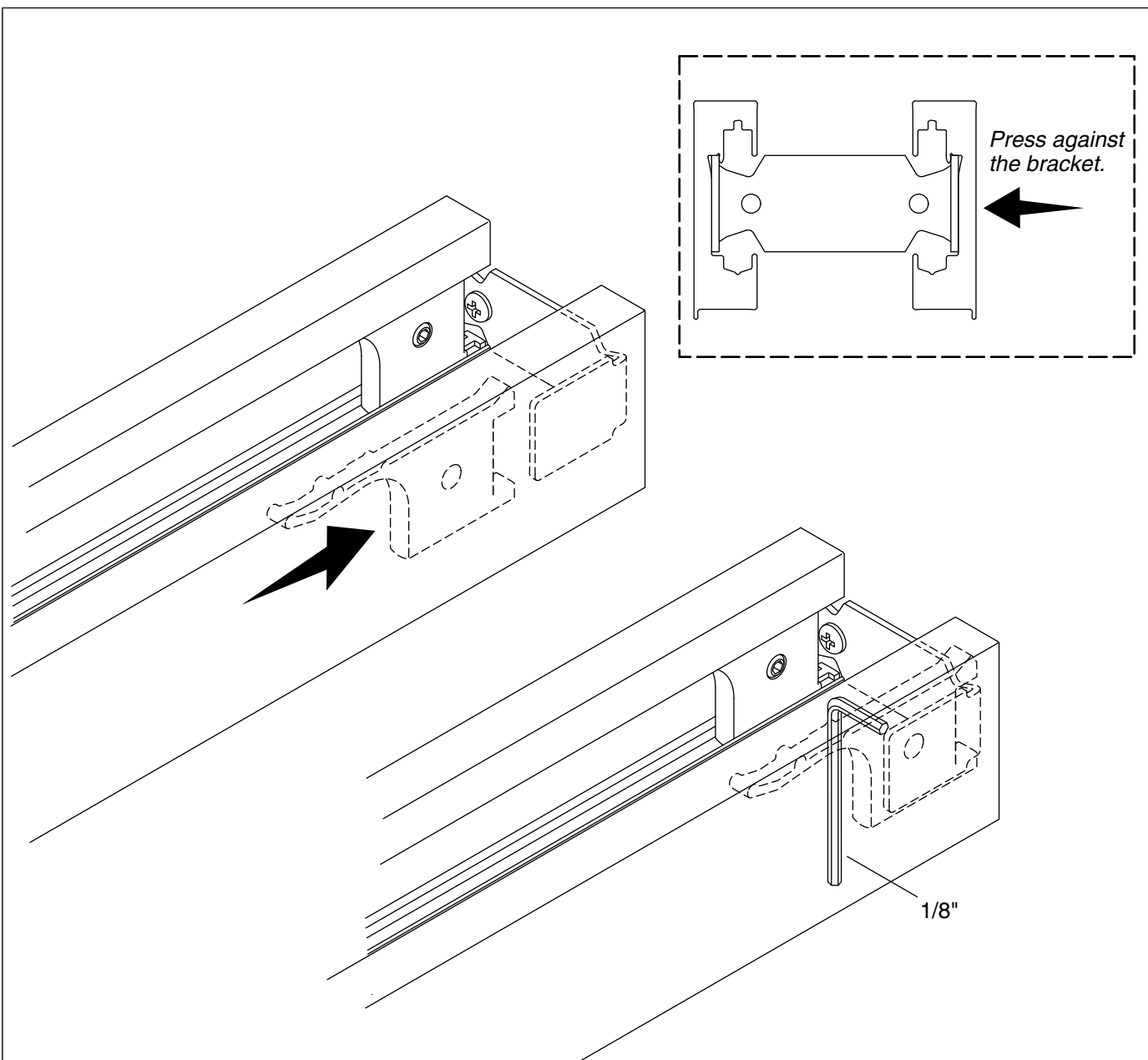
- With help, from outside the shower, lift the panel and place the bottom into the outside channel in the centerguide.
- Lean the panel against the inside panel and place the installation clamp over the top of both panels. Make sure the panel is held in place before moving onto the next step.



## 19. Install the Outside Header

**NOTICE:** The two headers are identical.

- With the flat face of the header facing the outside of the shower, tilt the header as shown and lower it on to both brackets at the same time.
- Rotate the header onto both brackets at the same time so that it is vertical and flat against the brackets.
- The header will be slightly loose. It will be secured in the next section.



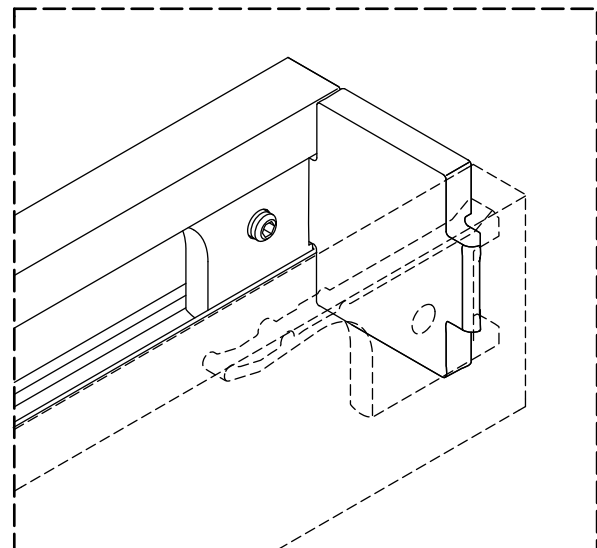
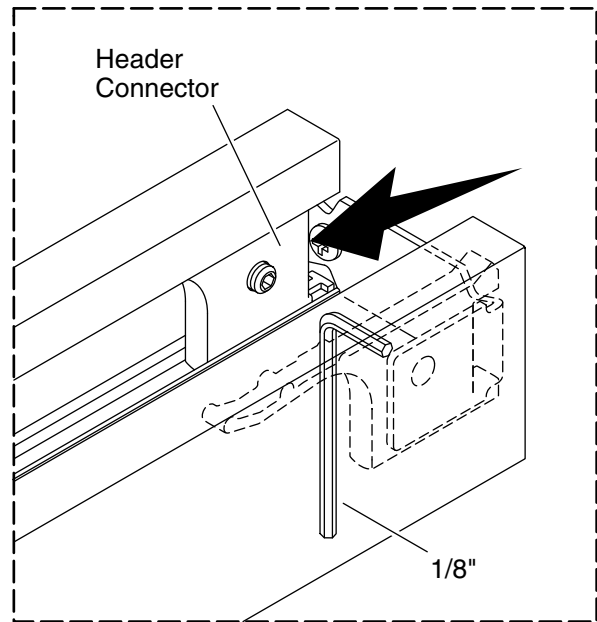
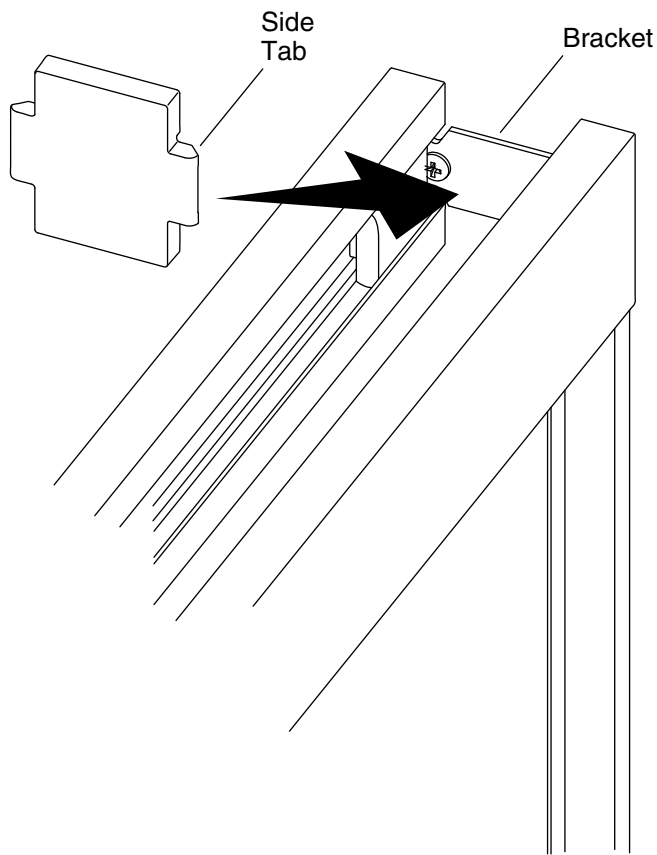
## 20. Secure the Outside Header to the Bracket

**IMPORTANT!** The header is secured to the brackets in this step so that the door panel may be hung.

- Press the header against the bracket, and slide the header connectors all the way to the wall at each end of the header.

**NOTE:** If the header connector does not slide over the bracket, either the screw must be loosened, the header is not properly installed on the bracket, or the bracket is tilted away from the wall. Make any adjustments as necessary.

- Secure the header by tightening each connector screw with a 1/8" hex wrench.

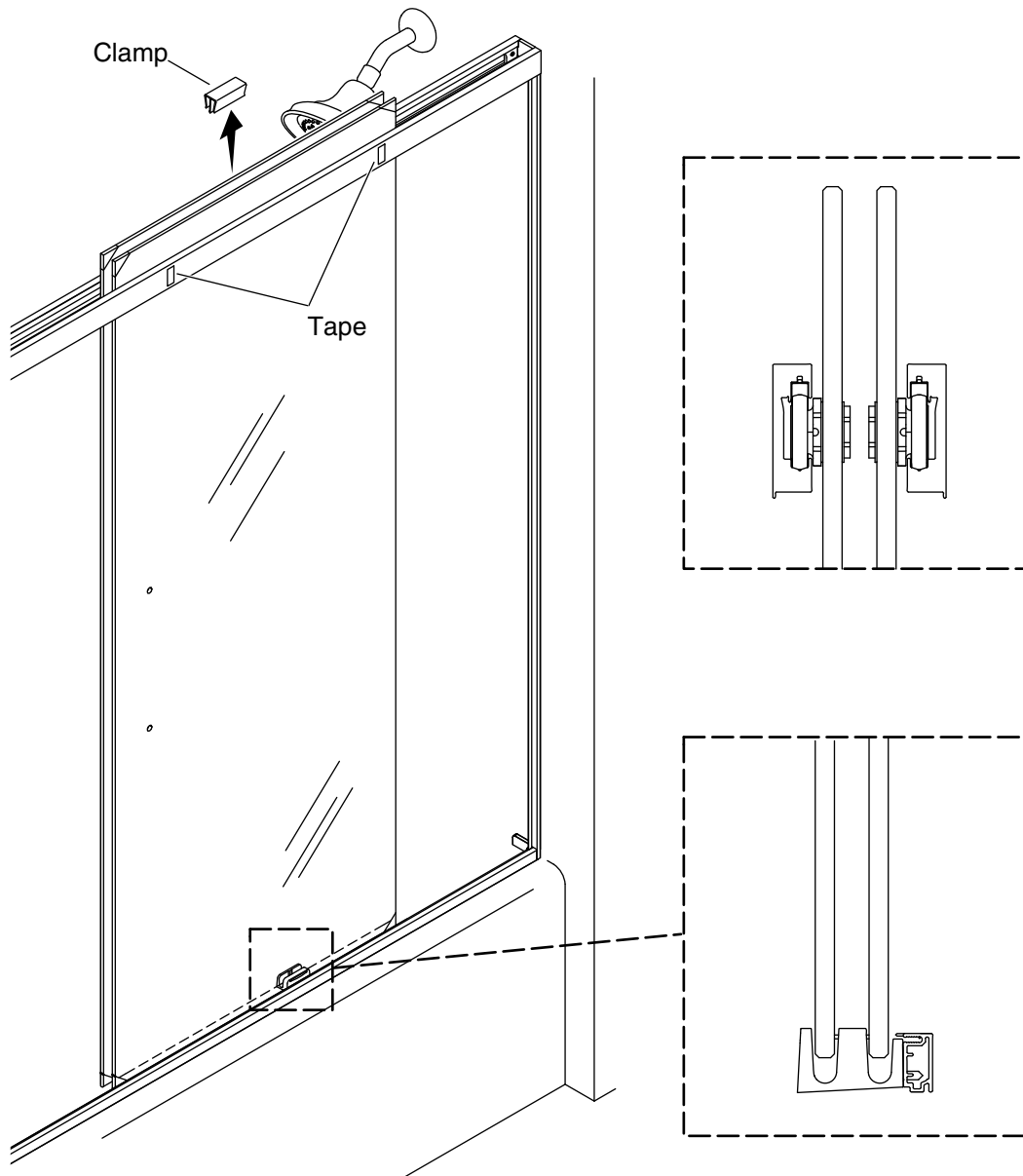


## 21. Install the Bumpers

**NOTE:** To ease bumper installation, the header connectors may need to be loosened and temporarily moved away from the bracket.

- Press the side tab of the bumper into the end of one of the headers behind the header connector. If the tab does not fit, use a 1/8" hex wrench to loosen the header connector.
- Rotate the bumper against the bracket, and press the opposite tab into the opposite header.
- Repeat for the second bumper on the opposite side.
- Make sure the header connectors are tight against the bumpers. Tighten the setscrew to secure in place.

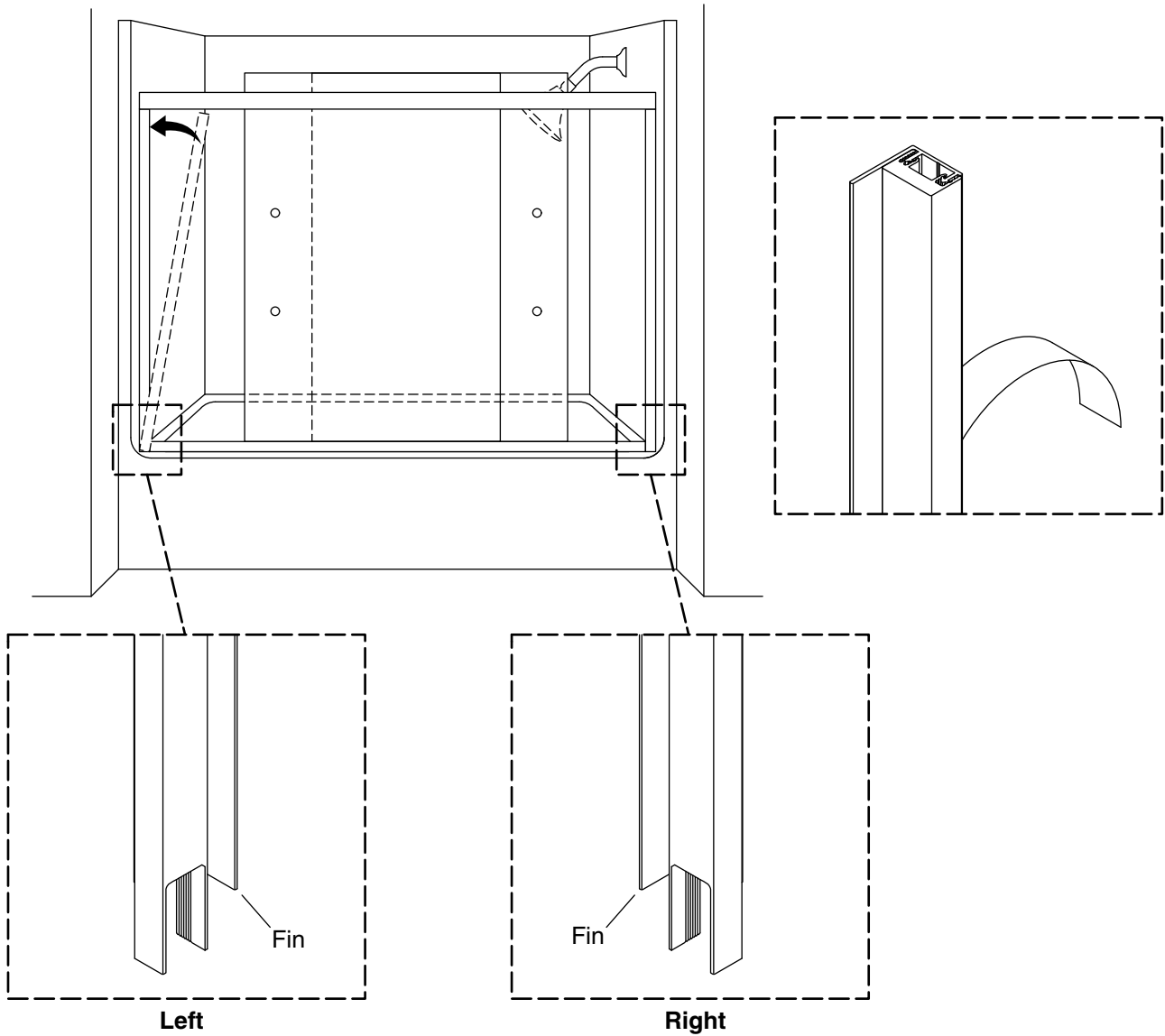




## 22. Install the Outside Door Panel

**NOTE:** The rollers and the label face the outside of the shower.

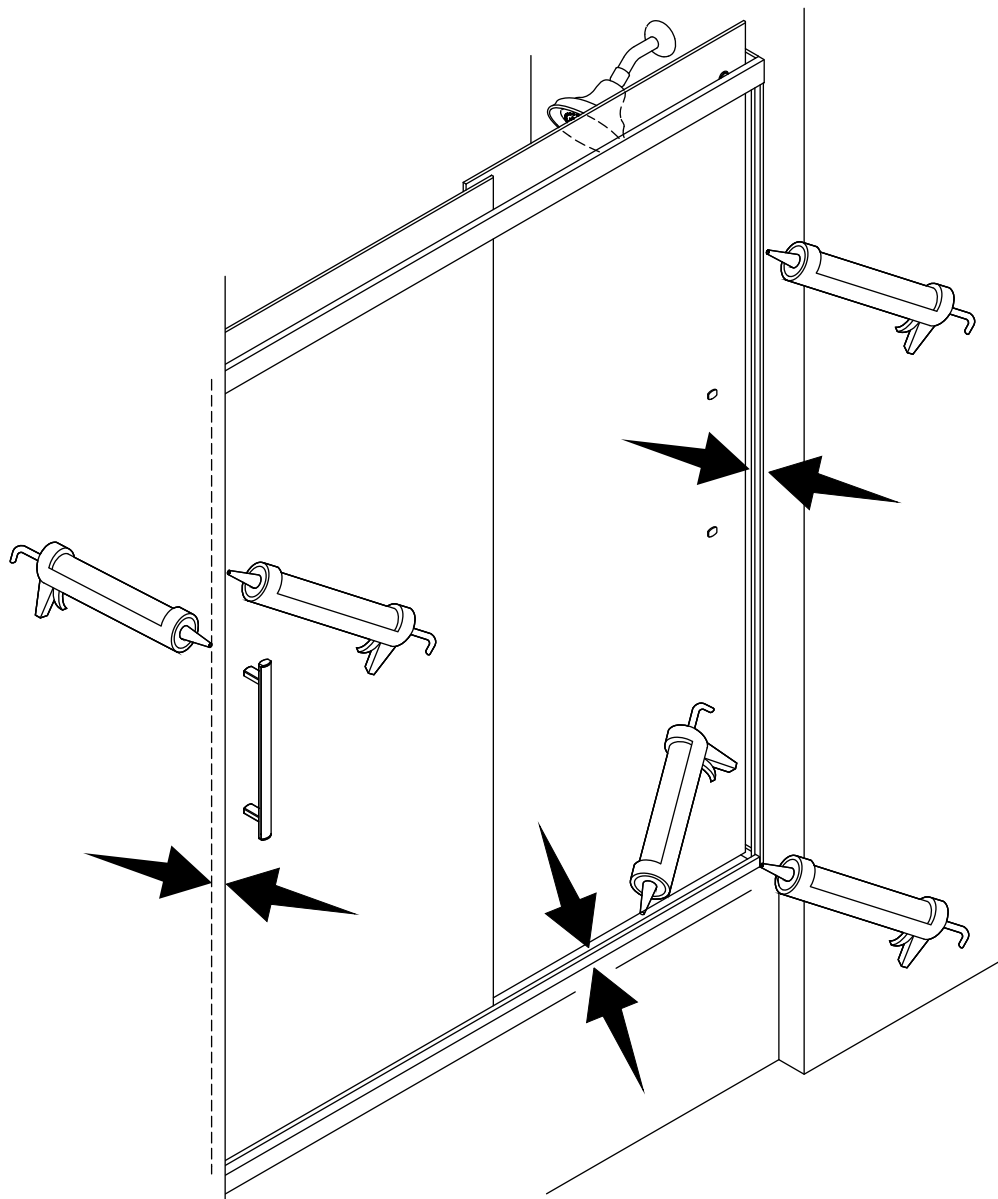
- Note the tape indicating the notch locations from the "Measure and Cut the Headers" section.
- Remove the clamp from the tops of the panels.
- With help, from outside the shower, lift the outside panel, align one roller with the notch in the outer header, and set the roller on the roller track.
- Lift the panel just enough to place the roller into one notch on the header. Then slide the panel over so the second roller is aligned with the other notch in the header.
- Verify that the bottom of the door panel is still in the centerguide channel.
- Remove the corner protectors from the panels.
- Make sure both panels move smoothly left to right.



## 23. Install the Wall Jambs

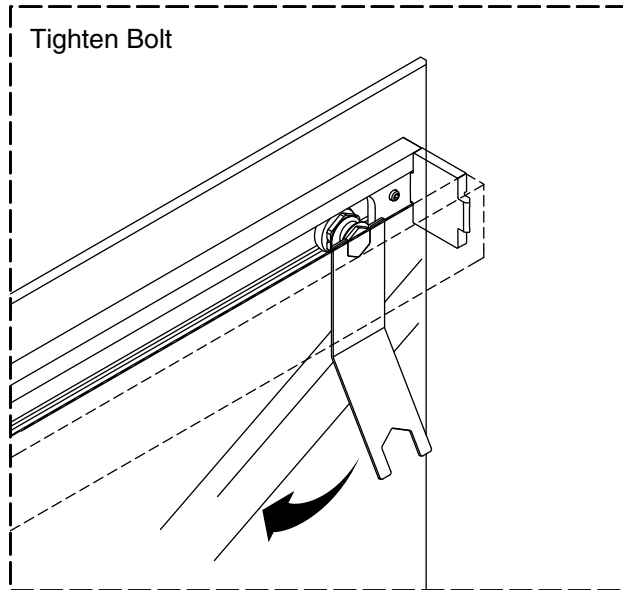
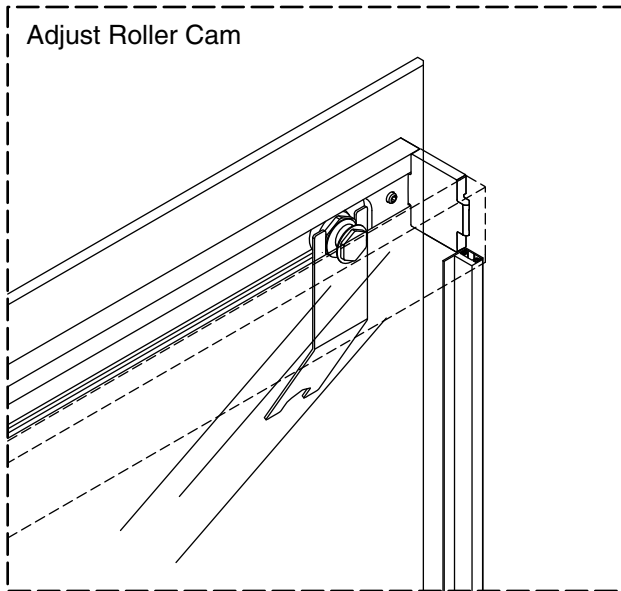
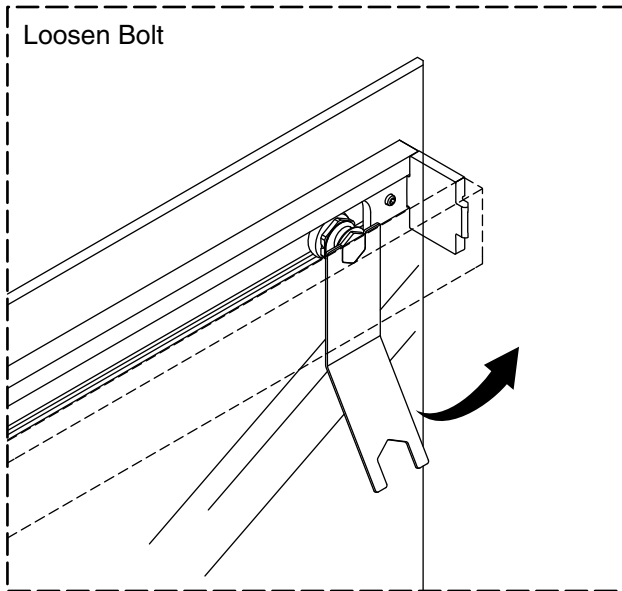
**NOTE:** The fins on the wall jambs face the inside of the shower.

- Thoroughly clean the shower walls behind the wall jambs using the provided alcohol wipes before proceeding
- Remove the film from the adhesive on the back of the wall jamb.
- Carefully align the bottom of the wall jamb over the threshold, then tilt up toward the wall. The top of the wall jamb should align with the header.
- Press firmly to bond the adhesive to the wall.
- Repeat for the second wall jamb.



## 24. Seal the Shower Door

- Install the handles to the glass panels following the instructions provided with the handles.
- Apply 100% silicone sealant to the areas specified below:
  - Along the wall jambs inside and outside the shower/bath.
  - Along the inside and outside edge of the threshold.
  - Around the centerguide.
  - Around the left and right bottom bumpers.



## Panel Adjustment and Maintenance

**NOTICE:** The panels may require adjustment to ensure that they touch the top and bottom bumpers in the proper closed position. The inside panel should close on the showerhead side, and the outside panel should close on the opposite side.

- To adjust the panels, loosen the roller bolt with the provided wrench. **Do not over-loosen!**
- Adjust the alignment of each end of the panel by turning the roller with the provided wrench.
- Continue until the door operates smoothly, aligns evenly with the shower walls, and the door panels make contact with the top and bottom bumpers at the same time.
- When complete, **securely** tighten all four roller bolts at least 3/4 turn past hand-tight.

### Maintenance

- Check roller tightness annually.
- Retain the provided wrench for future adjustment or re-tightening.

## Care and Cleaning

For best results, keep the following in mind when caring for your KOHLER product:

- Always test your cleaning solution on an inconspicuous area before applying to the entire surface.
- Wipe surfaces clean and rinse completely with water immediately after applying cleaner. Rinse and dry any overspray that lands on nearby surfaces.
- Do not allow cleaners to soak on surfaces.
- Use a soft, dampened sponge or cloth. Never use an abrasive material such as a brush or scouring pad to clean surfaces.
- The ideal cleaning technique is to rinse thoroughly and wipe the product dry after each use.

For detailed cleaning information and products to consider, visit [www.kohler.com/clean](http://www.kohler.com/clean). To order Care & Cleaning information, call 1-800-456-4537.

## Troubleshooting

This troubleshooting guide is for general aid only. For service and installation issues or concerns, call 1-800-4-KOHLER.

### Troubleshooting Table

Symptoms	Probable Cause	Recommended Action
1. The door is noisy when opened or closed.	<p>A. The bracket may be installed too far out of level.</p> <p>B. The door panels are too low, rubbing on the base of the centerguide or the shower base/bath ledge.</p> <p>C. The rollers are loose.</p> <p>D. The rollers have worn and are noisy.</p>	<p>A. Remove the panels and headers, and level bracket. If the bracket cannot be leveled, call customer service.</p> <p>B. Adjust the rollers to raise the door panels. Refer to the "Adjust the Door Panels" section.</p> <p>C. Tighten the roller bolts using the supplied wrench.</p> <p>D. Replace the rollers.</p>
2. The door is hard to move or does not open.	<p>A. The door panels are too low, rubbing on the base of the centerguide or the shower base/bath ledge.</p> <p>B. The threshold seal is not fully seated, causing the outside door panel to rub.</p> <p>C. The headers are not secured to the brackets.</p> <p>D. The rollers are loose.</p>	<p>A. Adjust the rollers to raise the door panels. Refer to the "Adjust the Door Panels" section.</p> <p>B. Push the seal completely into the threshold.</p> <p>C. Verify that the header connectors are positioned over the brackets and secured in place with the setscrews.</p> <p>D. Tighten the roller bolts using the supplied wrench.</p>
3. The door panels are free to swing in and out of the shower.	<p>A. The centerguide is not installed.</p> <p>B. The centerguide is not installed in the correct location.</p> <p>C. The door panels are not correctly installed on the centerguide.</p> <p>D. The door panels are too high.</p>	<p>A. Install the centerguide according to the instructions.</p> <p>B. Install the centerguide on the center of the threshold.</p> <p>C. The glass panels should be positioned in the channels of the centerguide.</p> <p>D. Adjust the rollers to lower the panels. Refer to the "Adjust the Door Panels" section.</p>
4. The centerguide is loose.	<p>A. The centerguide is not installed over the clip.</p>	<p>A. Remove the outside header and both door panels. Reinstall the centerguide over the clip. Reinstall the panels and outside header.</p>

## Troubleshooting (cont.)

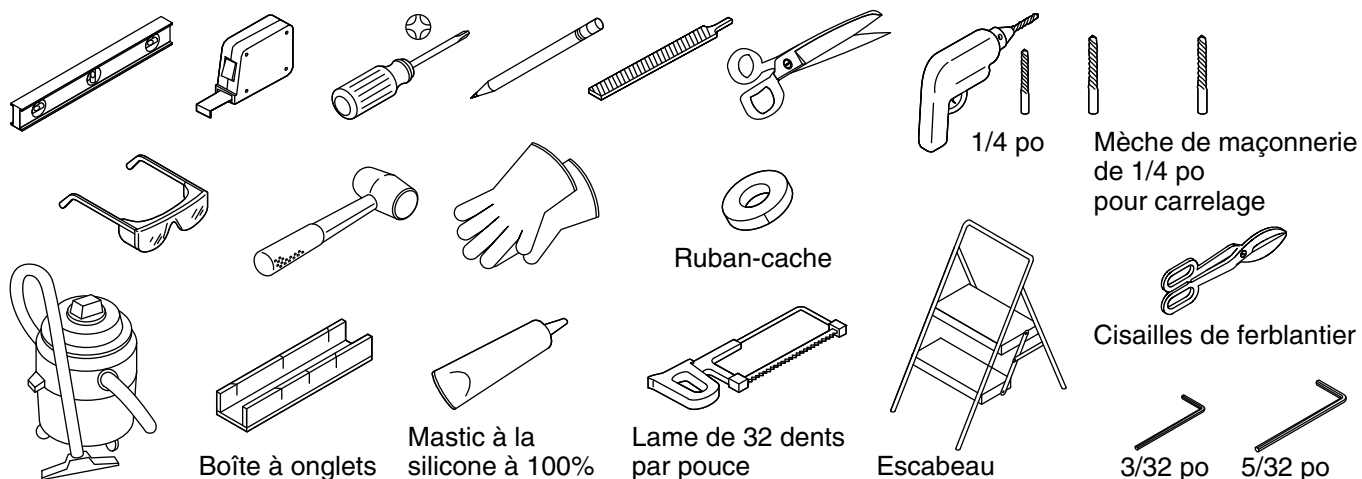
### Troubleshooting Table

Symptoms	Probable Cause	Recommended Action
	<p><b>B.</b> The centerguide clip is not installed.</p> <p><b>C.</b> The screw connecting the centerguide clip is loose.</p> <p><b>D.</b> The film on the adhesive on the bottom of the centerguide was not removed.</p>	<p><b>B.</b> Remove the outside header and both door panels. Install the clip, then install the centerguide over the clip. Reinstall the panels and outside header.</p> <p><b>C.</b> Remove the outside header and both door panels. Tighten the clip screw. If the screw does not tighten, drill a new hole close to the original hole. Install the centerguide over the clip. Reinstall the panels and outside header.</p> <p><b>D.</b> Remove the outside header and both door panels. Lift the centerguide off the clip, remove the film on the tape and reinstall the centerguide over the clip. Reinstall the panels and outside header.</p>
5. Water leaks.	<p><b>A.</b> Water leaks under the threshold.</p> <p><b>B.</b> Water leaks under a door panel.</p> <p><b>C.</b> Water leaks under a door panel.</p> <p><b>D.</b> Water leaks between the door panels.</p> <p><b>E.</b> Water leaks around the wall jamb.</p> <p><b>F.</b> Water leaks at the bottom of the wall jamb and over the threshold.</p>	<p><b>A.</b> Apply 100% silicone sealant to the outside edge of the threshold. See the sealant manufacturer's instructions before using the shower.</p> <p><b>B.</b> Adjust the rollers to lower the door panels closer to the shower ledge. Refer to the "Adjust the Door Panels" section.</p> <p><b>C.</b> Check the height of the header. The header should sit on top of the wall jambs.</p> <p><b>D.</b> When showering, make sure the inside panel is closest to the showerhead.</p> <p><b>E.</b> Adjust the door panel so the panel touches both the top and bottom bumpers. Try not to spray water directly onto the door panels.</p> <p><b>F.</b> If there is a gap between the bottom of the wall jamb seal and the top of the threshold, silicone this area.</p>
6. The wall jamb cannot be installed under the header.	<p><b>A.</b> The bracket is installed too low.</p>	<p><b>A.</b> Adjust the bracket higher by loosening the screws and pushing upward on the bracket.</p>







# Guide d'installation

## Portes coulissantes de douche et de baignoire

### Outils et matériel



### Avant de commencer

-  **AVERTISSEMENT: Risque de blessures graves.** Des dommages avant l'installation peuvent entraîner des éclatements de verre. Inspecter le verre et toutes les pièces pour y rechercher des dommages avant l'installation.
-  **AVERTISSEMENT: Risque de blessures graves.** Une installation incorrecte peut entraîner des éclatements de verre. Suivre toutes les instructions d'installation.
-  **AVERTISSEMENT: Risque de blessures graves.** Ne pas couper le verre trempé. Le verre trempé éclate lorsqu'il est coupé.
-  **AVERTISSEMENT: Risque de blessures graves.** La porte de la douche et les panneaux latéraux peuvent éclater. Inspecter régulièrement le verre et toutes les pièces pour y rechercher des dommages, ou des pièces manquantes ou desserrées.
-  **AVERTISSEMENT: Risque de blessures graves.** Toujours porter des lunettes de sécurité pendant la découpe et le perçage.
-  **ATTENTION: Risque de blessures.** Le verre trempé ne doit pas entrer en contact avec des surfaces dures, car il risquerait de se briser. Ne pas toucher le bord du panneau de verre trempé avec des outils ou d'autres objets durs.

**IMPORTANT!** Laisser ce manuel pour l'utilisateur final. Lire ces instructions avant d'installer ou d'utiliser ce produit.

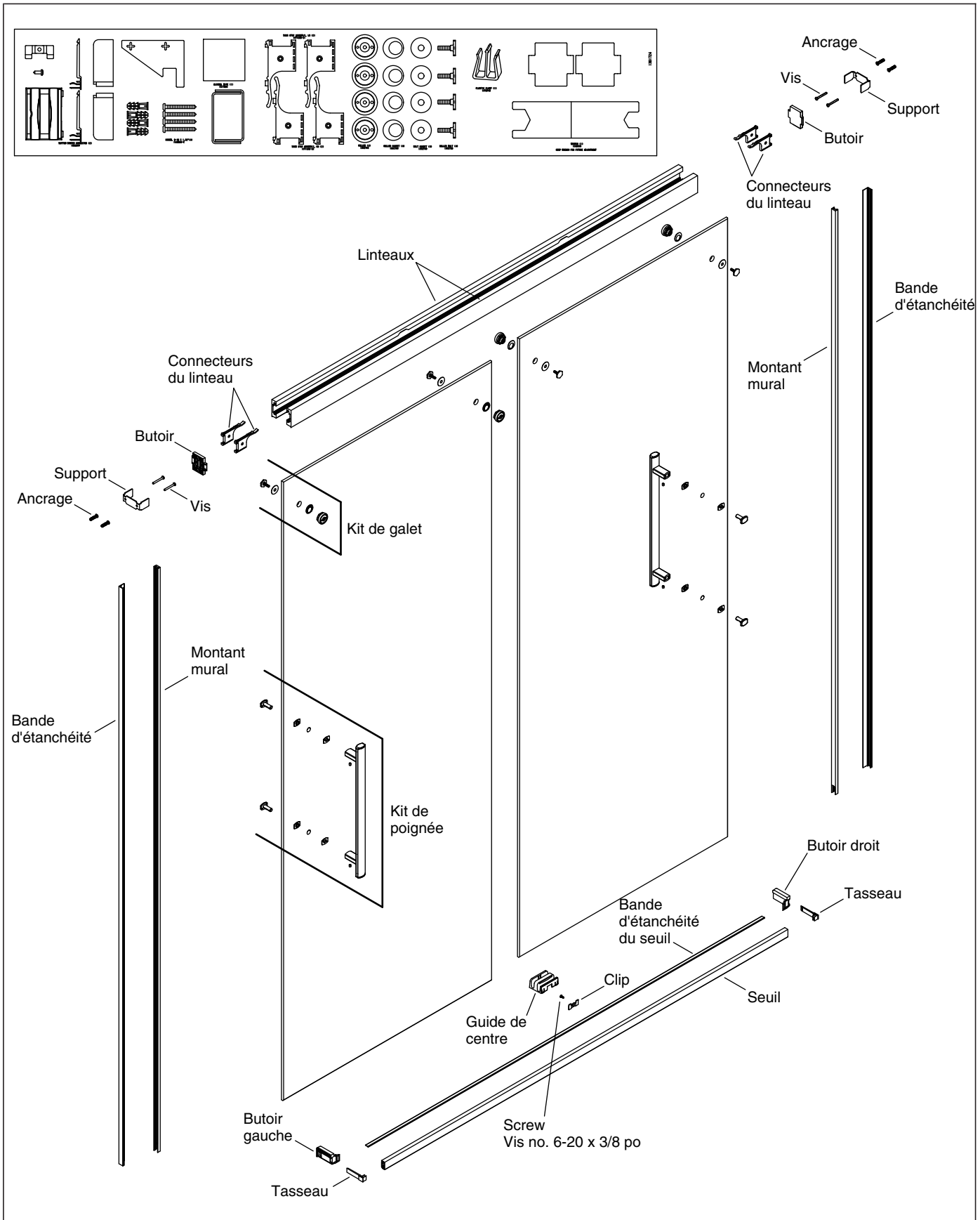
**IMPORTANT!** Cette porte est conçue pour s'adapter à des murs qui ont un faux aplomb de moins de 3/8 po (10 mm). Vérifier que la zone sur laquelle la porte sera fixée est comprise dans un rayon de 3/8 po (10 mm) de l'aplomb. La porte risque de ne pas fonctionner correctement si le faux aplomb du mur est supérieur à 3/8 po (10 mm).

**IMPORTANT!** Ne pas retirer les protecteurs de coins des panneaux de porte avant d'avoir installé ces derniers.

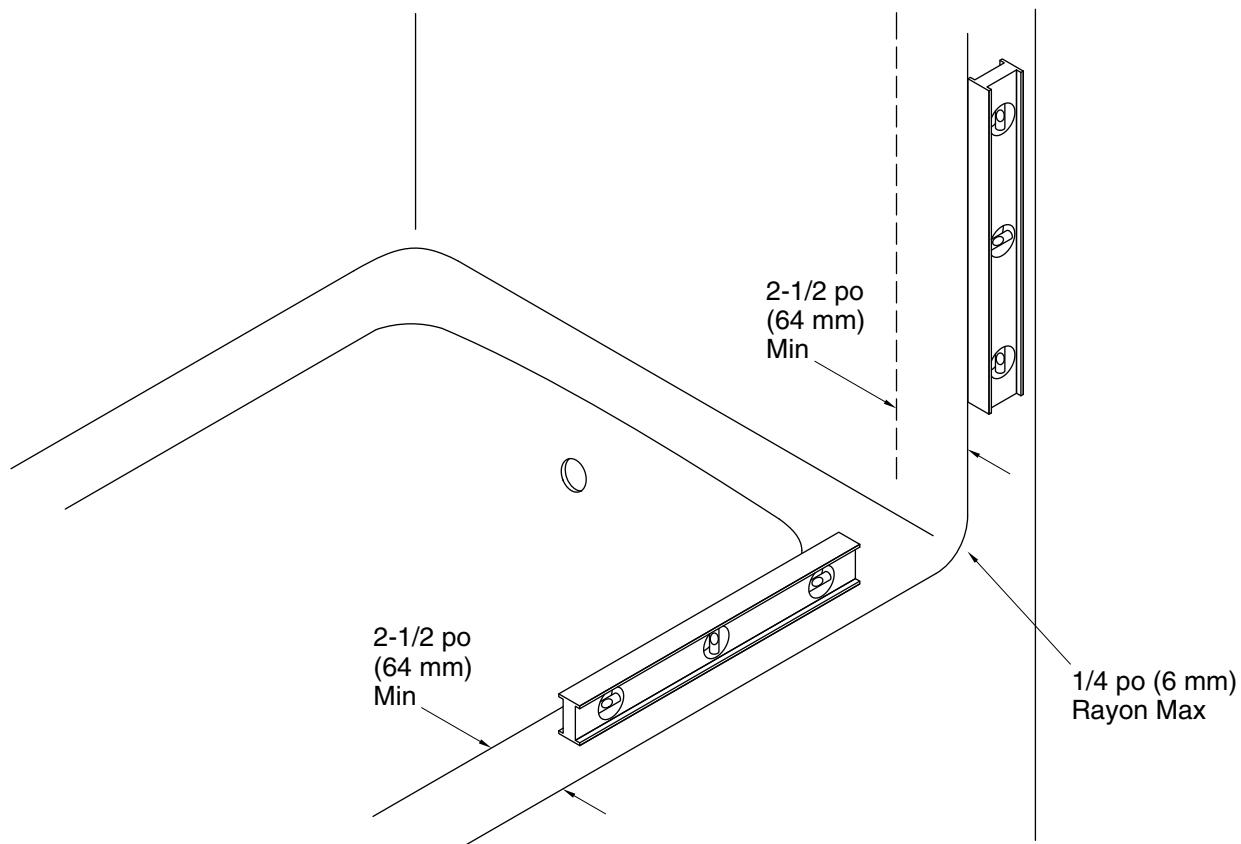
### **Avant de commencer (cont.)**

- Couvrir le drain avec du ruban adhésif pour éviter de perdre les petites pièces.
- Identifier toutes les pièces avant l'installation.
- Suivre les instructions du fabricant du mastic d'étanchéité à la silicone en ce qui concerne l'application et le temps de prise.
- Deux personnes doivent effectuer cette installation.
- Pour regarder cette vidéo d'installation en ligne, visiter le site [us.kohler.com](http://us.kohler.com) et rechercher le numéro du produit en question.





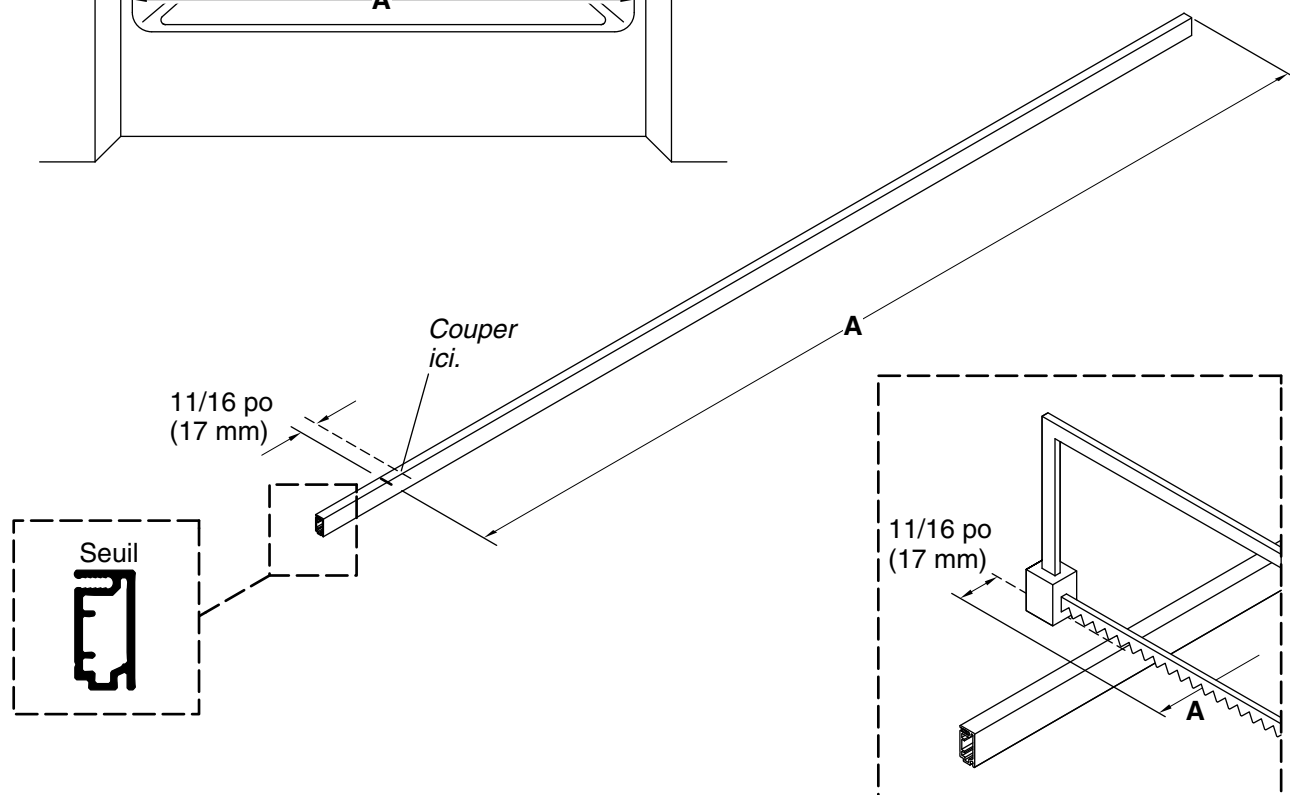
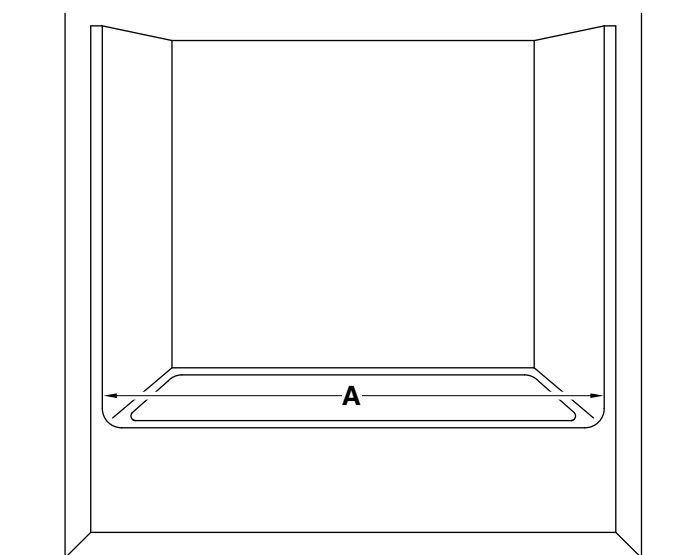
### Identification des pièces



## 1. Vérifier la compatibilité entre le rebord et le mur

**IMPORTANT!** Pour un alignement et un fonctionnement adéquats, vérifier que la base de la douche/le rebord de la baignoire et les murs sont conformes aux conditions requises suivantes. **Ne pas installer la porte** si ces conditions requises ne sont pas présentes.

- Une surface plate de 2-1/2 po (64 mm) au moins doit être présente sur la base de la douche/le rebord de la baignoire et les murs.
- Les murs doivent être compris dans un rayon de 3/8 po (10 mm) de l'aplomb.
- La base de la douche/le rebord de la baignoire doivent être de niveau entre les murs.
- Le rayon de la base de la douche/le rebord de la baignoire où il entre en contact avec le mur doit être de 1/4 po (6 mm) ou moins.

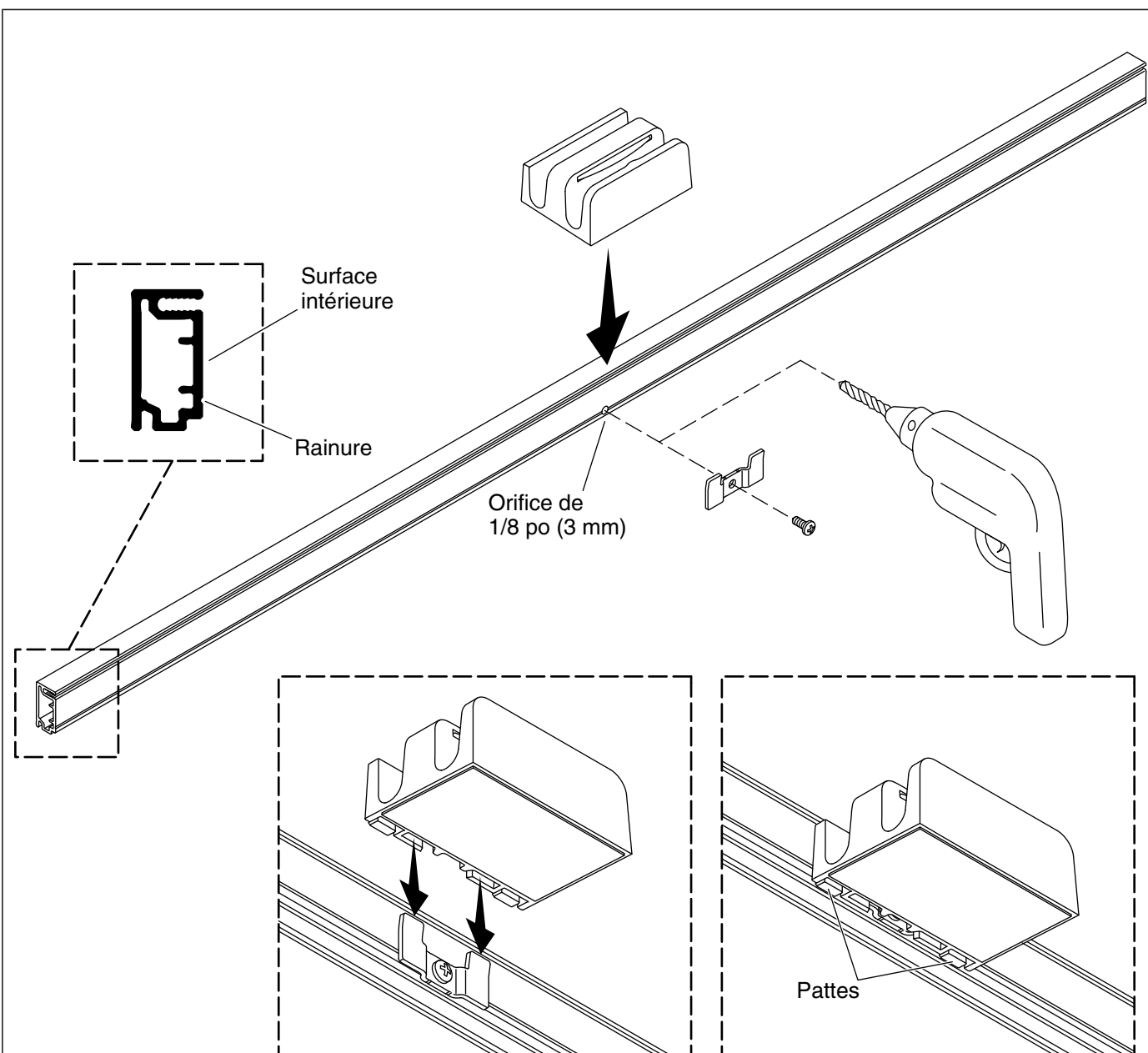


## 2. Mesurer et couper le seuil



**AVERTISSEMENT: Risque de blessures graves.** Toujours porter des lunettes de sécurité pendant la découpe et le perçage.

- Recouvrir le drain avec du ruban afin d'éviter de perdre les petites pièces.
- Utiliser une toile de protection pour protéger la surface de la douche.
- Mesurer la distance « A » entre les murs de la douche et la marquer sur le seuil.
- Mesurer 1/2 po (13 mm) à partir de « A » et placer un deuxième repère sur le seuil comme sur l'illustration.
- Couper le seuil au niveau du deuxième repère et limer tous les bords bruts.

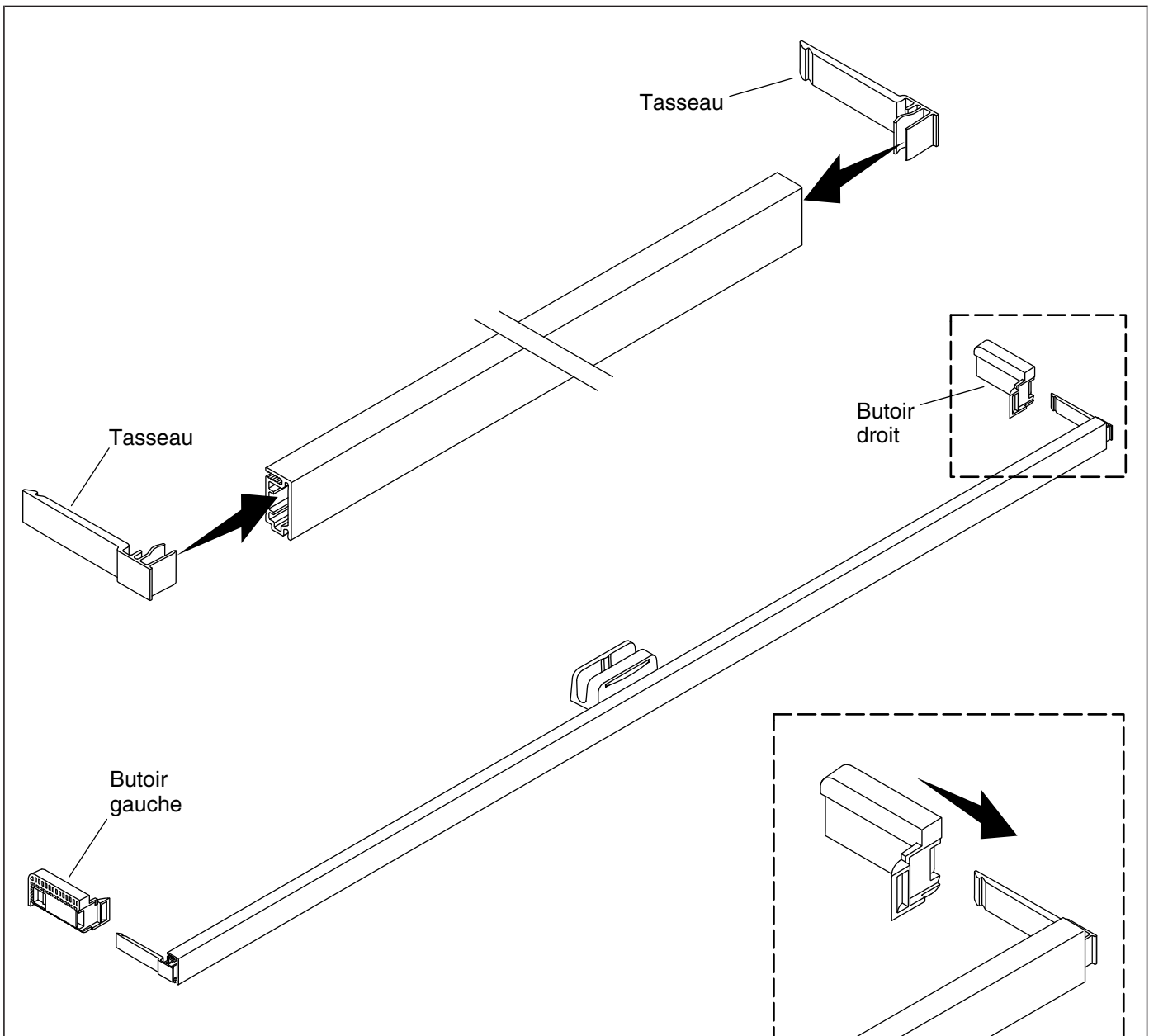


### 3. Installer le guide central

- Mesurer le centre du seuil. Marquer la ligne centrale à proximité de la rainure sur la surface intérieure du seuil.

**IMPORTANT!** Percer à travers la surface intérieure seulement.

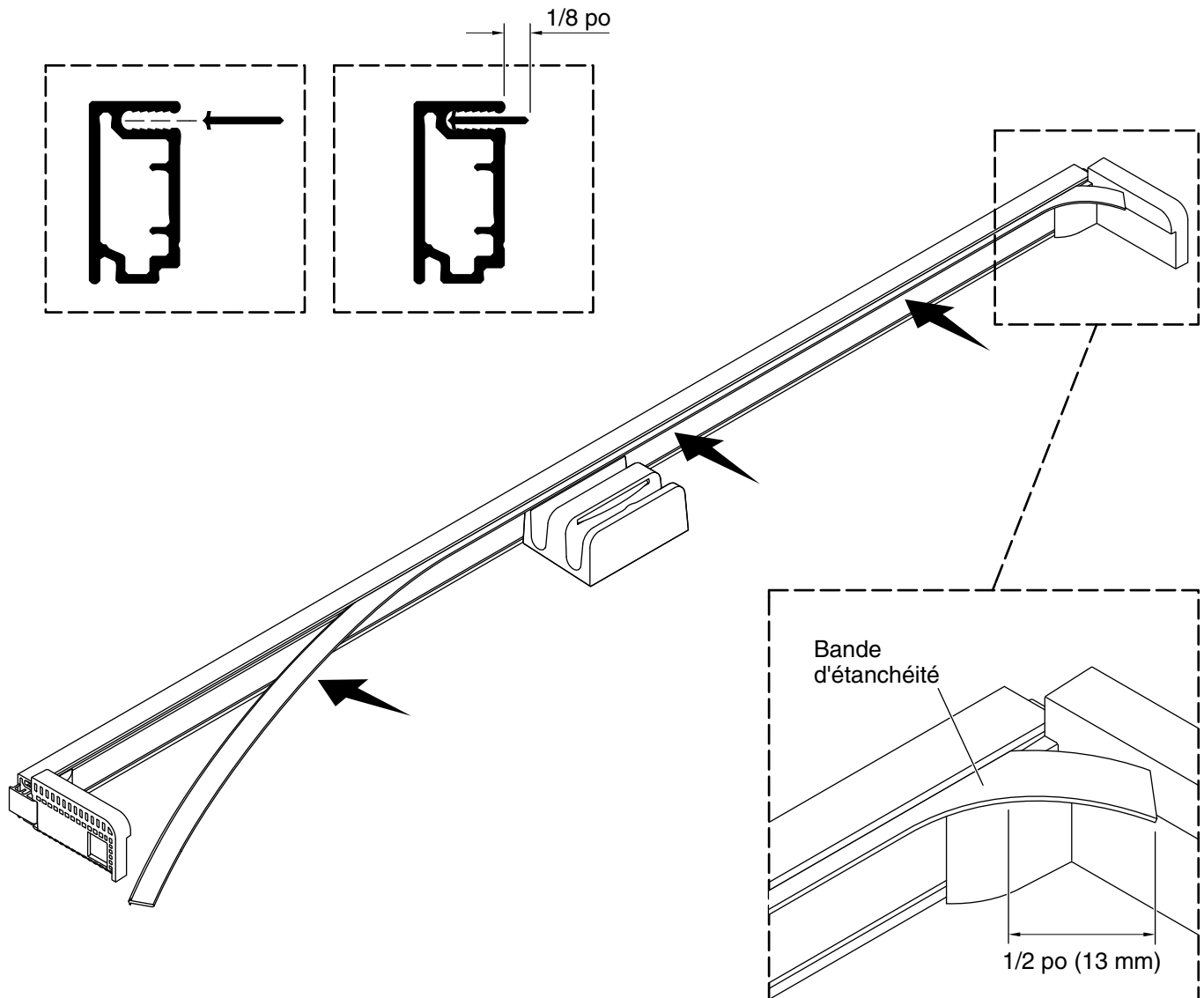
- Percer un trou de 1/8 po au niveau de la ligne centrale sur la rainure de la surface intérieure du seuil.
- Installer l'attache du guide central sur le seuil avec la vis no. 6 x 3/8 po fournie.
- Enfoncer le guide central par-dessus l'attache. S'assurer que le guide central est entièrement installé avec les pattes enclenchées sous le dessous du seuil.



#### 4. Installer les butoirs sur le seuil

**REMARQUE:** Il y a un butoir côté gauche et un butoir côté droit. Les tasseaux sont identiques.

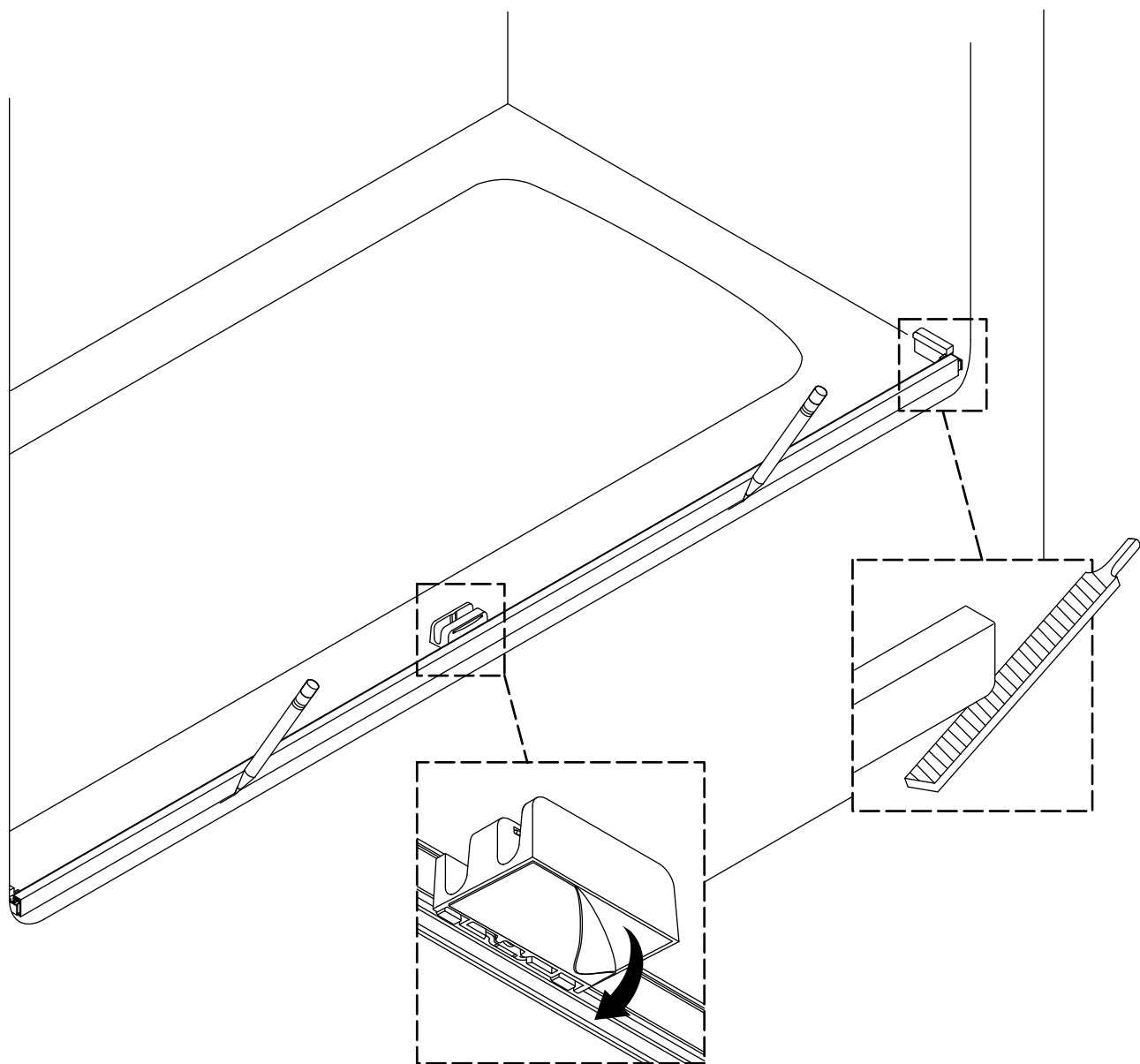
- Installer un tasseau dans chaque extrémité du seuil de manière à ce qu'ils soient dirigés dans la même direction que le guide central.
- Enfoncer les butoirs gauche et droit sur les tasseaux comme sur l'illustration.



## 5. Installer la bande d'étanchéité du seuil

**IMPORTANT!** La bande d'étanchéité doit être installée avec 1/2 po (13 mm) au moins se prolongeant au-delà de chaque extrémité du seuil. La bande d'étanchéité sera coupée pour être adaptée une fois que le seuil sera installé.

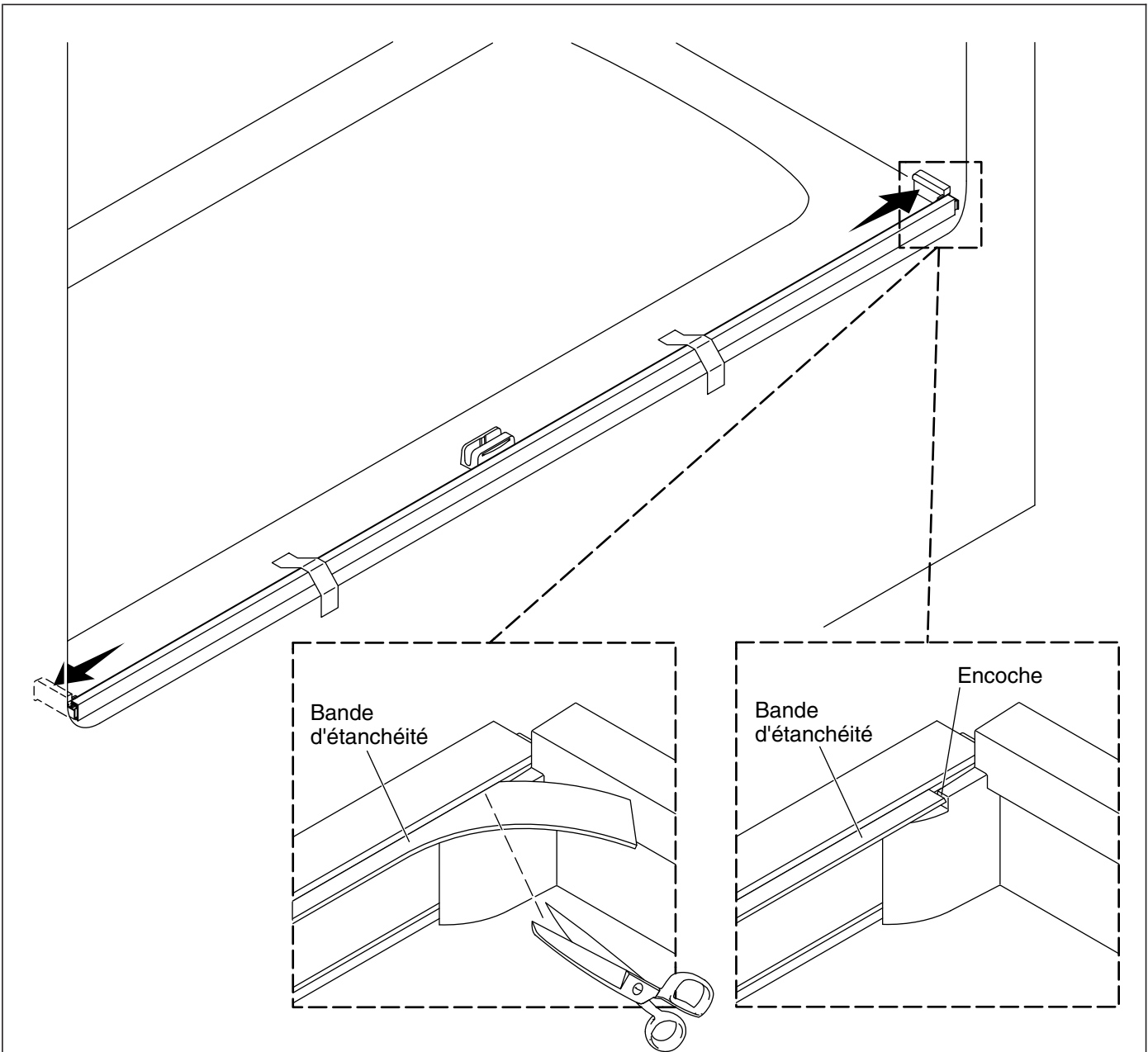
- Enfoncer la bande d'étanchéité dans le canal dans le seuil, en laissant 1/2 po (13 mm) environ se prolonger au-delà de l'extrémité du seuil.



## 6. Positionner le seuil

**AVIS:** Le seuil doit reposer sur une surface plate.

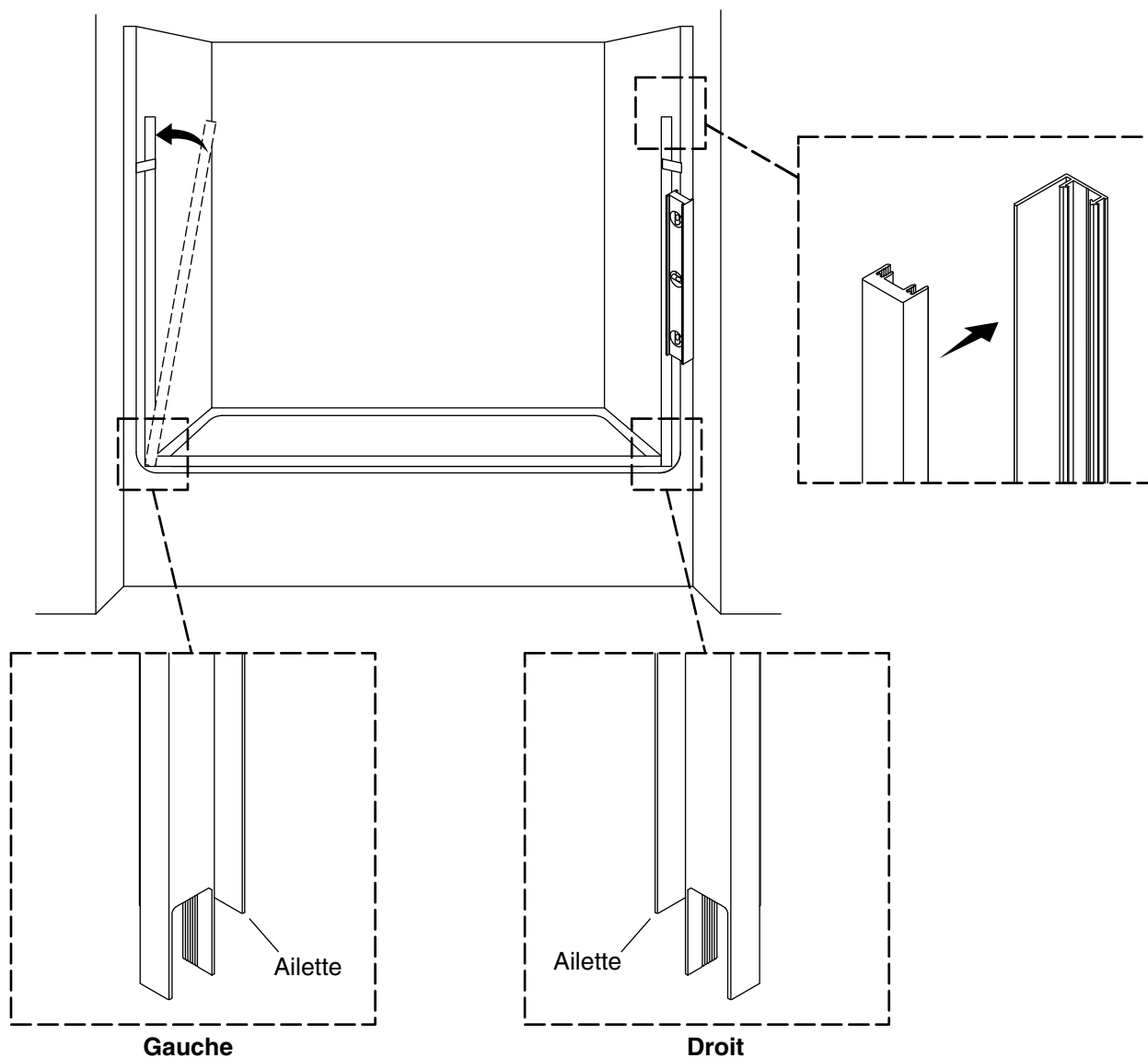
- Bien nettoyer la base de la douche/le rebord de la baignoire avant de continuer.
- Si nécessaire, limer les extrémités du seuil pour les adapter au rayon de bec du mur de la douche.
- Poser l'ensemble du seuil sur la surface plate de la base de la douche/du rebord de la baignoire, aussi près que possible du rebord extérieur.
- Aligner le seuil à une distance égale le long du rebord.
- Marquer l'emplacement du seuil, puis retirer le seuil.
- Retirer le film de l'adhésif sur le fond du guide central.
- Installer le seuil sur les repères et appuyer fermement sur le guide central pour coller l'adhésif.



## 7. Terminer le seuil

- Utiliser du ruban-cache pour fixer temporairement le seuil en place jusqu'à ce que les montants de mur soient installés.
- Appuyer les butoirs contre les murs.
- Utiliser des ciseaux pour couper la bande d'étanchéité à chaque extrémité du seuil de manière à ce qu'elle soit appariée avec l'encoche dans le butoir.



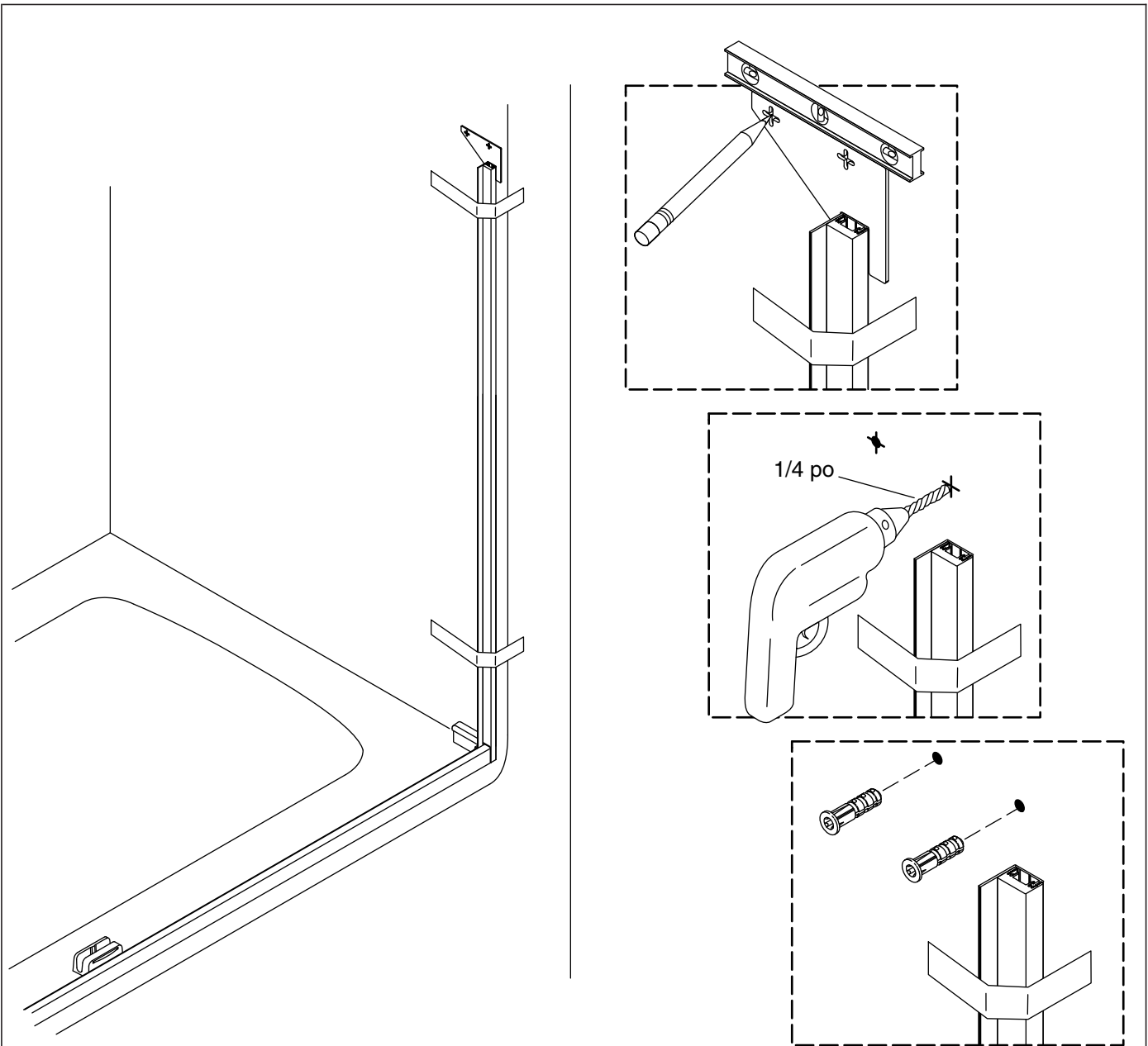


## 8. Assembler et positionner les montants de mur

**REMARQUE:** L'ailette flexible de la bande d'étanchéité se trouve sur l'intérieur des montants de mur.

**REMARQUE:** Les montants de mur sont plus longs que les bandes d'étanchéité.

- En commençant dans le haut, enfoncer une bande d'étanchéité sur chaque montant de mur de manière à ce qu'il y ait un ensemble gauche et un ensemble droit comme sur l'illustration.
- Positionner les ensembles de montants de mur par-dessus le seuil de manière à ce que l'ailette flexible se trouve sur l'intérieur de la douche. Si nécessaire, entailler les coins du métal pour adapter le rayon de coin du mur de la douche.
- Utiliser un niveau à bulle pour mettre les montants de mur d'aplomb et marquer les emplacements sur le mur.
- Utiliser du ruban-cache pour fixer temporairement la partie supérieure des montants de mur en place. Ne pas fixer avec l'adhésif sur l'arrière de la bande d'étanchéité à ce point.



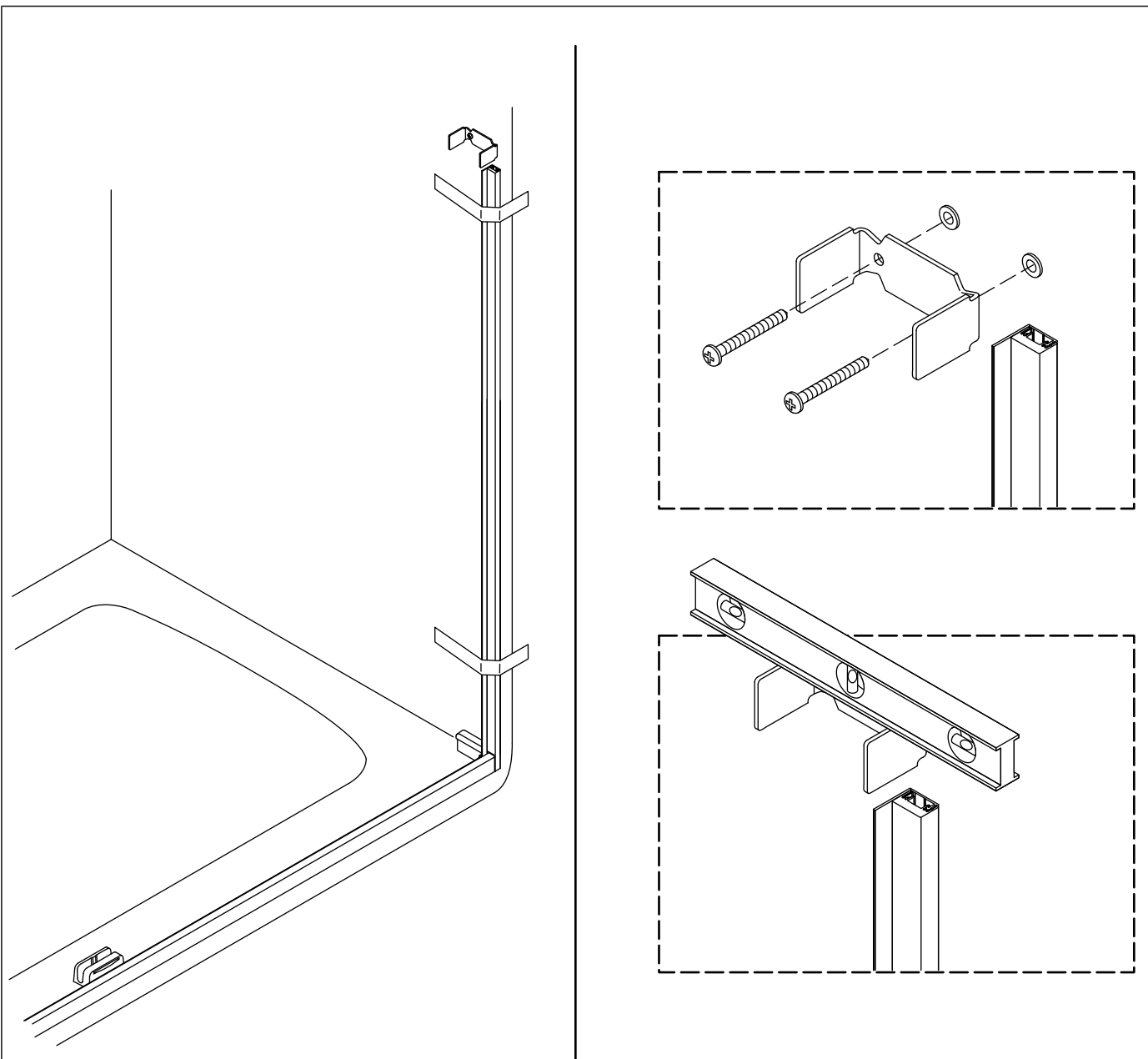
## 9. Préparer les trous du support mural

**IMPORTANT!** Les emplacements des trous pour les supports muraux sont de première importance. S'assurer que les trous sont marqués correctement et percés tout droit dans le mur.

- S'assurer que le haut du montant de mur est fixé en place avec du ruban-cache.
- Placer le gabarit de perçage par-dessus le montant de mur, en le pointant dans la douche comme sur l'illustration.
- Vérifier que le gabarit est entièrement assis par-dessus le montant de mur, à plat contre le mur, et de niveau.
- Marquer les emplacements des trous.
- Retirer le gabarit et percer des trous de 1/4 po tout droit dans le mur aux emplacements marqués. **S'assurer que la perceuse ne se trouve pas à un angle lors du perçage.**
- Installer les chevilles d'ancrage mural fournies. S'assurer que les chevilles d'ancrage sont entièrement assises dans le mur.

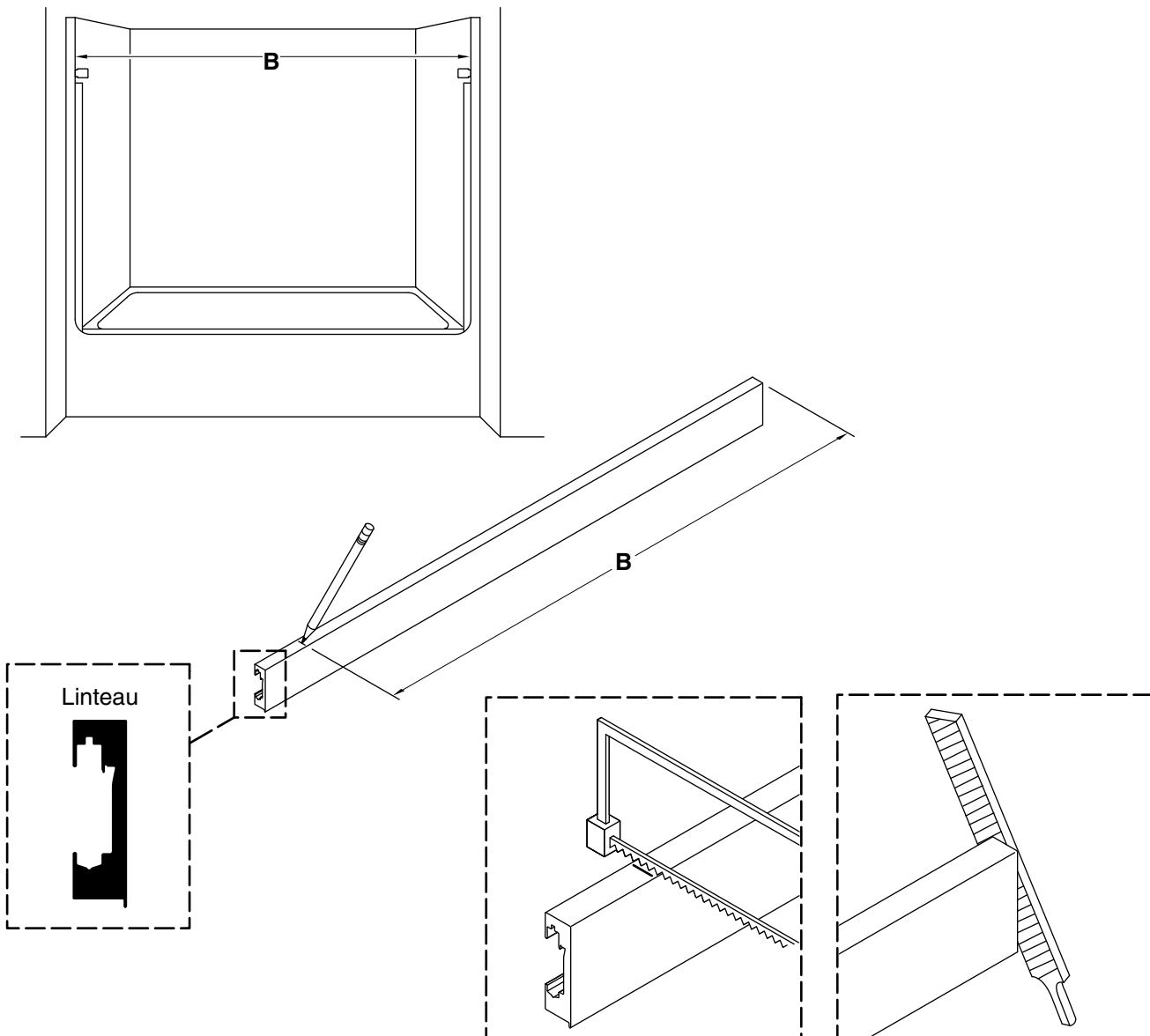
**Préparer les trous du support mural (cont.)**

- Répéter pour le deuxième montant de mur.



## 10. Installer les supports muraux

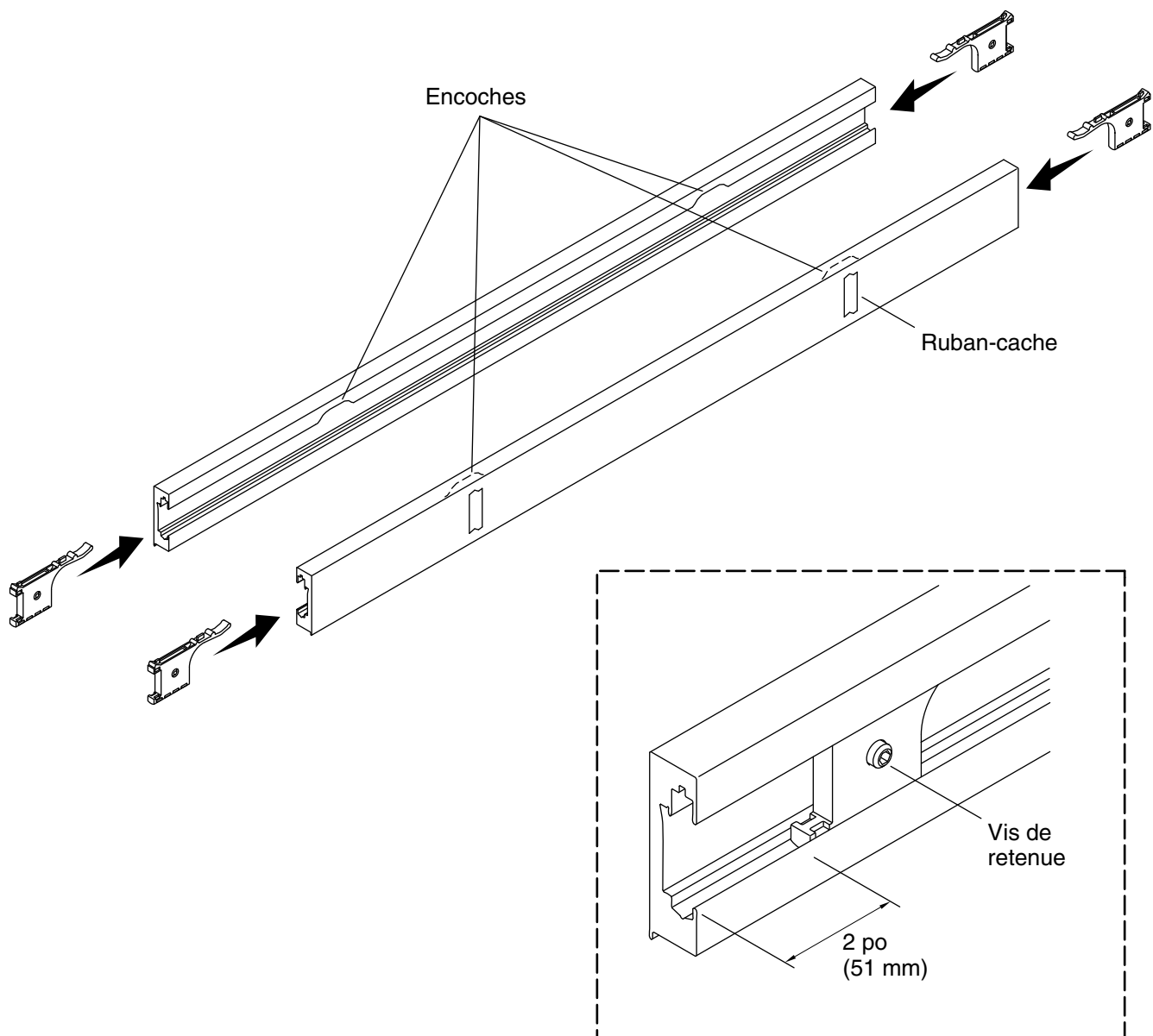
- Bien nettoyer la surface du mur et de la douche avant de continuer.
- Fixer chaque support sur le mur en utilisant deux vis no. 8-18 x 1-1/2 po.
- Vérifier que le support est de niveau. Desserrer les vis et ajuster la position du support au besoin.
- Répéter pour le deuxième support.



## 11. Mesurer et couper les linteaux

**IMPORTANT!** Vérifier les mesures avant de couper. **Ne pas couper les linteaux trop court.**

- Mesurer la distance « B » entre les murs finis de la douche et la marquer sur chacun des deux linteaux.
- À l'aide d'une scie égoïne, positionner la lame juste à l'intérieur de la ligne marquée. Couper chaque linteau juste à l'intérieur de la ligne marquée.
- Limer tous les bords bruts et éliminer les débris des rails des galets.

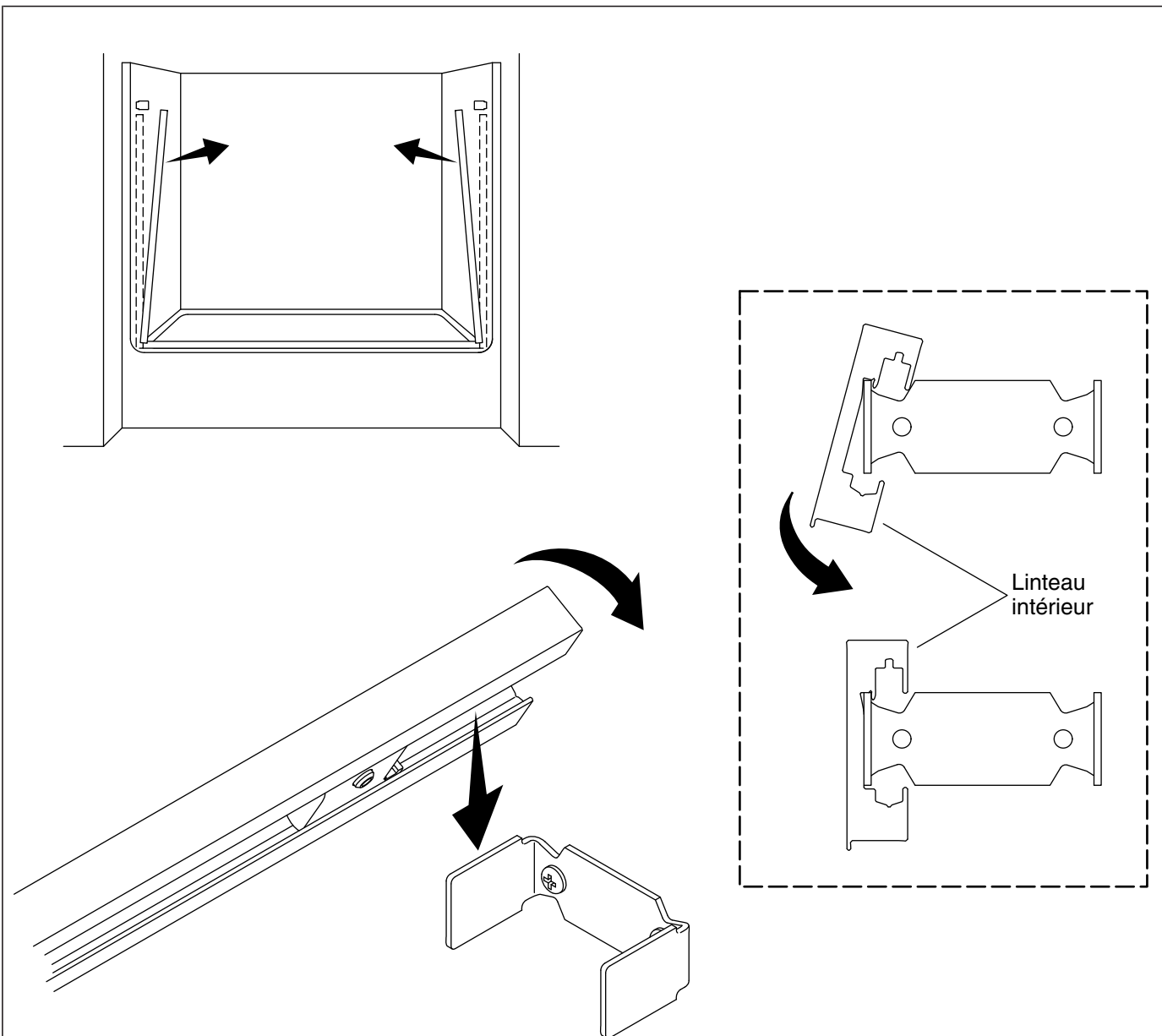


## 12. Installer les connecteurs sur les linteaux

- Repérer les encoches le long des rails intérieurs des linteaux.
- Marquer les emplacements avec des morceaux de ruban sur l'extérieur des linteaux. Cela facilitera l'installation du panneau de porte plus tard.

**REMARQUE:** Les linteaux intérieur et extérieur sont identiques.

- Enfoncer un connecteur de linteau dans l'extrémité de chaque linteau comme sur l'illustration. La tête de la vis hexagonale doit être visible.
- Positionner chaque connecteur à 2 po (51 mm) environ des extrémités des linteaux de manière à ce qu'ils soient dégagés des supports pendant l'installation des linteaux.



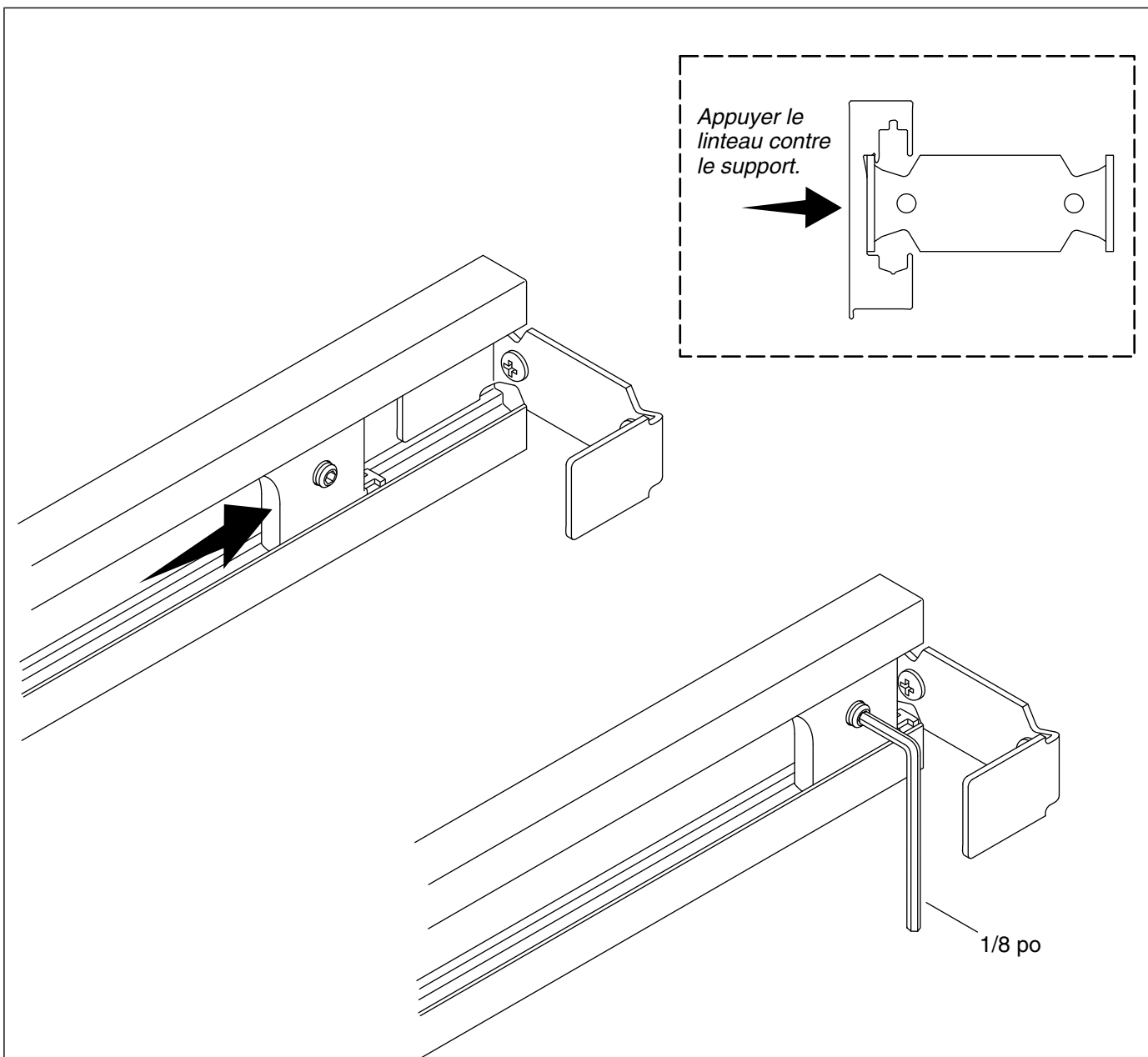
### 13. Positionner le linteau intérieur

**IMPORTANT!** Seulement installer le linteau intérieur à ce point.

**AVIS:** Les deux linteaux sont identiques.

- Pour faciliter l'installation du linteau, retirer les montants de mur positionnés temporairement.
- Avec la face plate du linteau tournée vers l'intérieur de la douche, incliner le linteau comme sur l'illustration et l'abaisser sur les deux supports en même temps.
- Tourner le linteau sur les deux supports en même temps, pour le mettre en position verticale.

**REMARQUE:** Le linteau sera légèrement desserré. Il sera sécurisé au cours de la prochaine section.



#### 14. Fixer le linteau intérieur sur le support

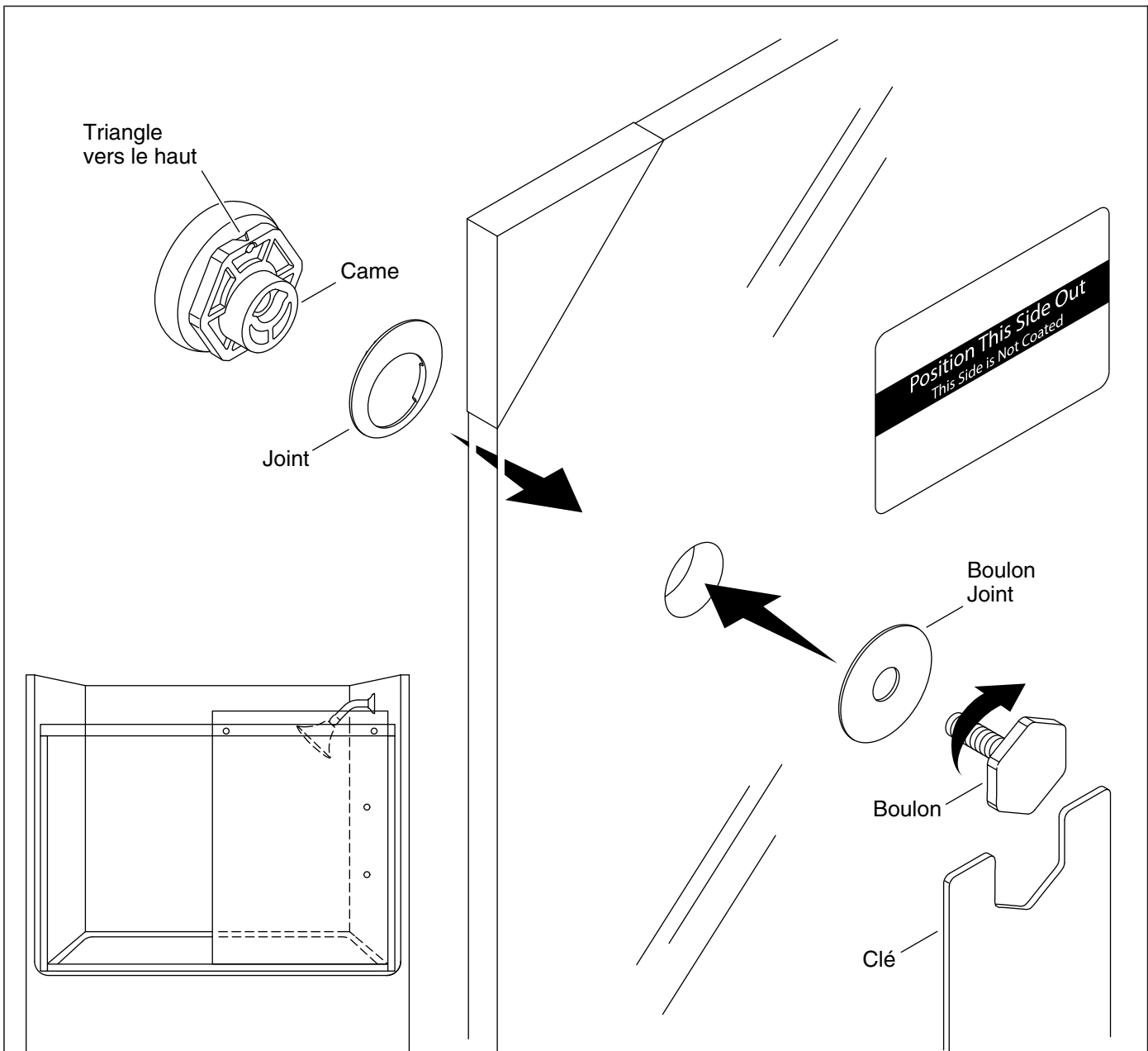
**IMPORTANT!** Le linteau intérieur est fixé sur les supports dans cette étape de manière à ce que le panneau de porte puisse être suspendu.

- Appuyer le linteau contre le support et glisser les connecteurs du linteau entièrement sur le mur à chaque extrémité du linteau.

**REMARQUE:** Si le connecteur du linteau ne glisse pas par-dessus le support, soit il sera nécessaire de desserrer la vis, soit le linteau n'est pas installé correctement sur le support, soit le support est incliné à l'écart du mur. Effectuer tous les réglages nécessaires.

- Fixer le linteau en serrant chaque vis de connecteur de linteau avec une clé hexagonale de 1/8 po.

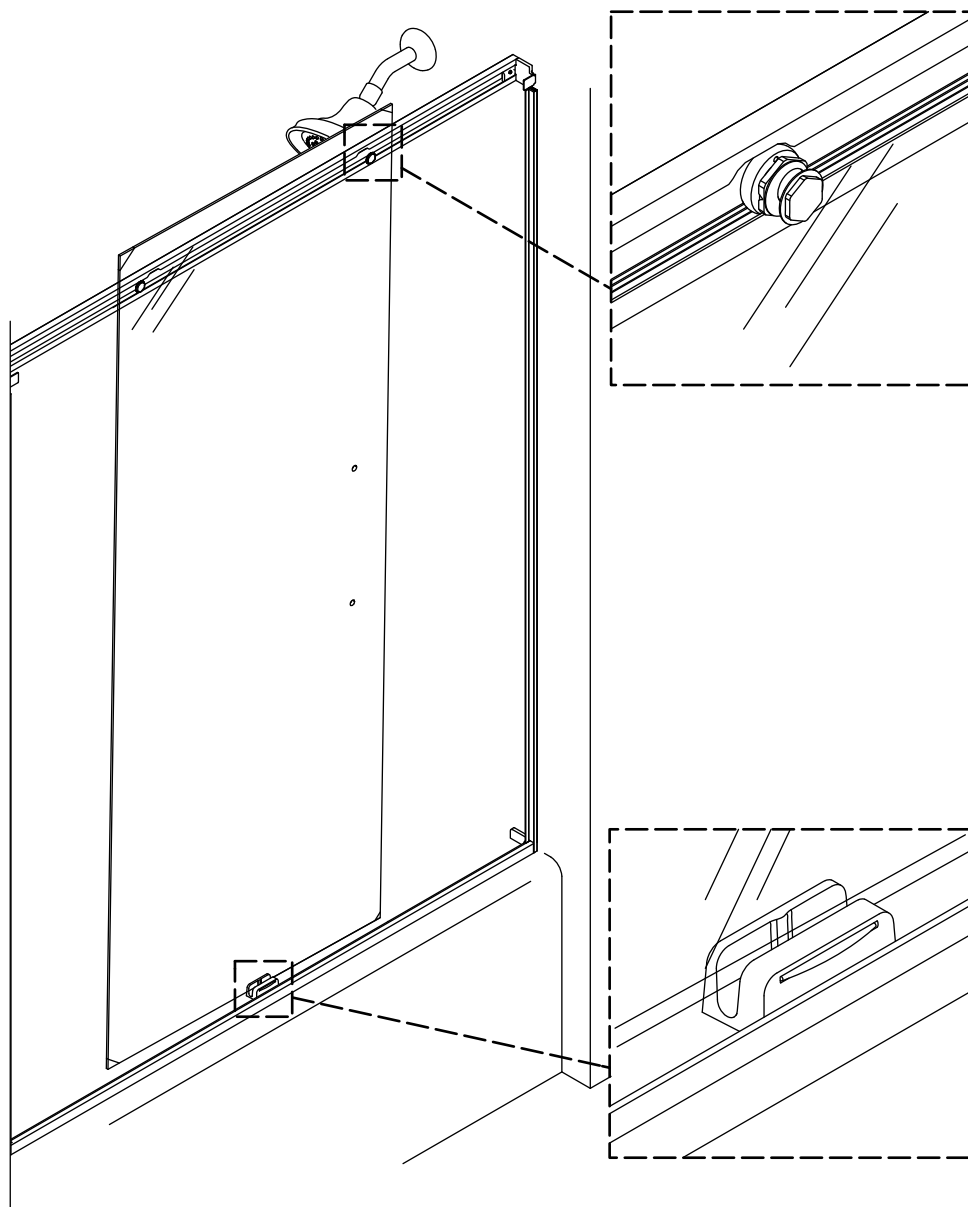




## 15. Assembler les galets du panneau intérieur

**AVIS:** Une forme de triangle est moulée sur l'un des méplats du galet.

- Orienter le panneau de porte de manière à ce que les trous de la poignée se trouvent du côté pomme de douche et que l'étiquette soit tournée vers l'extérieur de la douche.
- Positionner le galet et le joint statique sur le côté opposé du panneau avec l'étiquette comme sur l'illustration, et insérer la came de galet dans le trou.
- Orienter le galet de manière à ce que le triangle soit pointé vers le haut. Cela met la porte à sa position la plus basse, ce qui facilite les réglages.
- Serrer solidement le galet sur le verre à la main avec le joint et le boulon.
- À l'aide de la clé fournie, serrer solidement le boulon à 3/4 po au moins au-delà du serrage manuel. Le joint pourrait fléchir lors du serrage du boulon.
- Répéter ces étapes pour le deuxième galet.



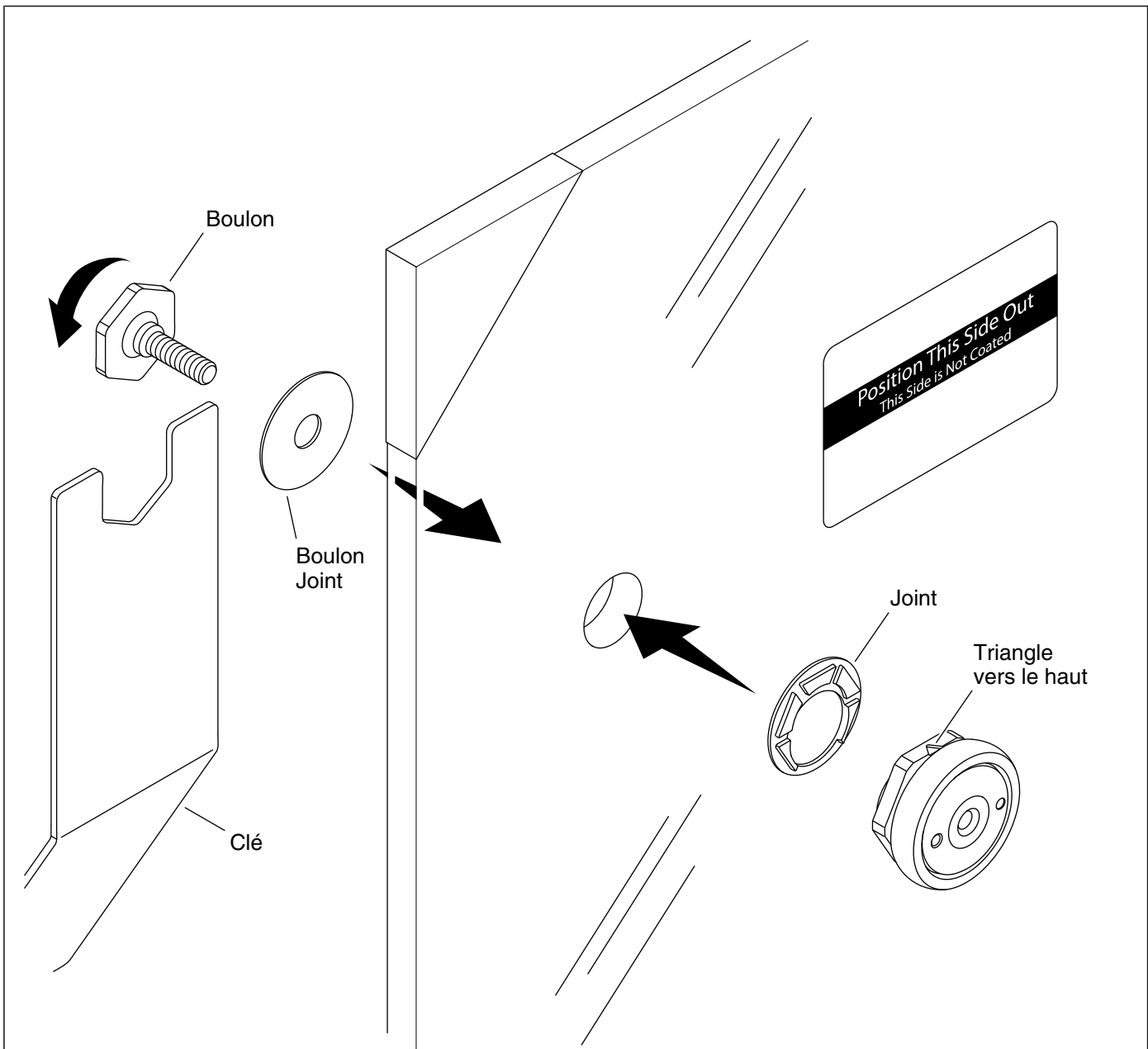
## 16. Installer le panneau intérieur

**ATTENTION: Risque d'endommagement du produit :** Une fois qu'il est installé, ne pas amener le panneau près du mur parce que les butoirs supérieurs ne sont pas installés à ce point.

**REMARQUE:** Les protecteurs de coins doivent encore être installés sur le panneau à ce point.

**REMARQUE:** Les galets sont tournés vers l'intérieur de la douche et l'étiquette fait face à l'extérieur de la douche.

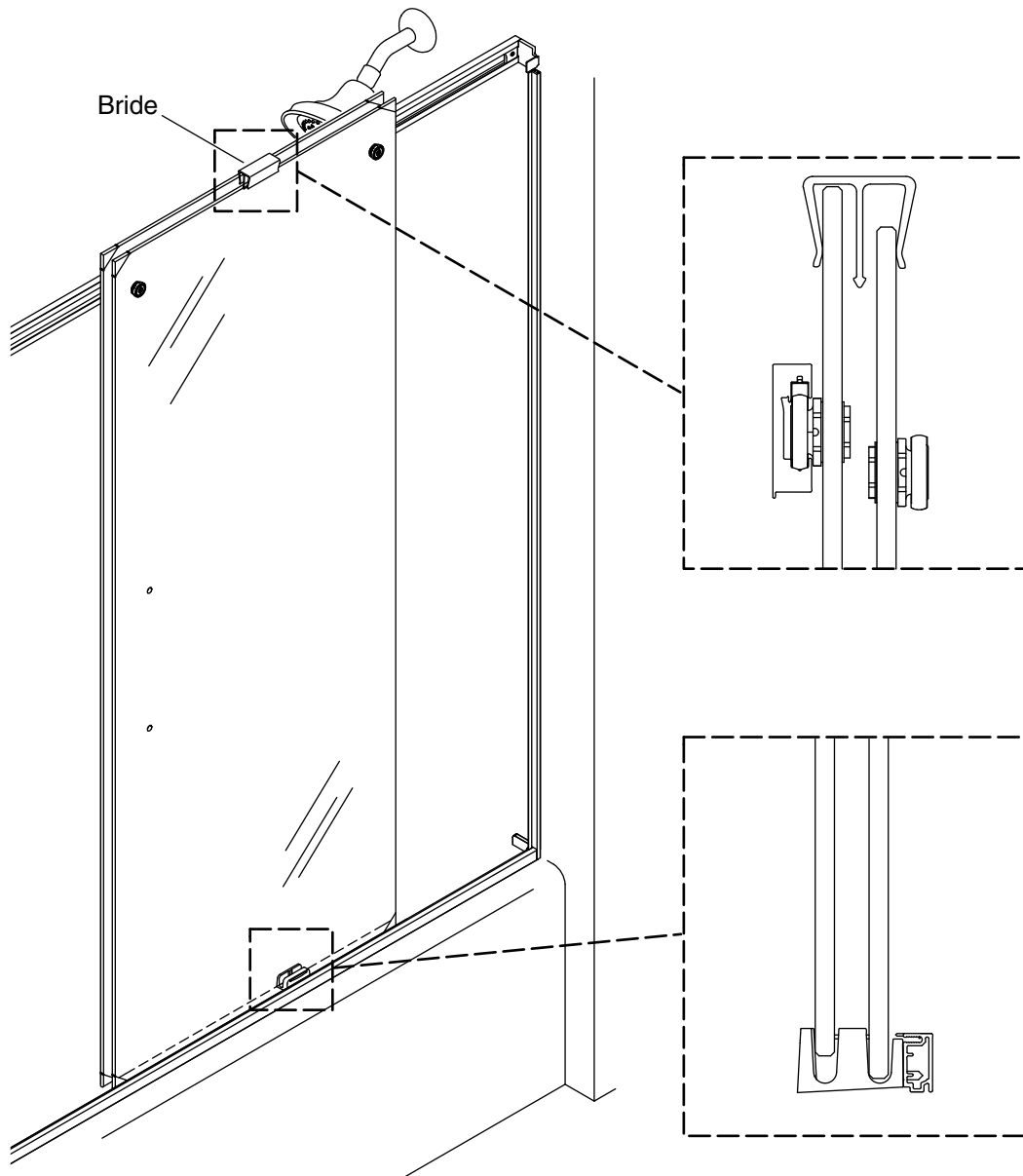
- Avec de l'aide, à partir de l'extérieur de la douche, lever le panneau et positionner le bas dans le canal intérieur dans le guide central.
- Lever le panneau juste suffisamment pour placer un galet dans une encoche sur le linteau. Glisser ensuite le panneau de manière à ce que le deuxième galet soit aligné avec l'encoche dans le linteau.
- Vérifier que le bas du panneau de porte se trouve toujours dans le canal intérieur du guide central.



## 17. Assembler les galets du panneau extérieur

**AVIS:** Une forme de triangle est moulée sur l'un des méplats du galet.

- Orienter le panneau de porte de manière à ce que les trous de la poignée se trouvent sur le côté opposé que celui de la pomme de douche et que l'étiquette soit tournée vers l'extérieur de la douche.
- Positionner le galet et le joint statique sur le même côté du panneau avec l'étiquette comme sur l'illustration, et installer la came de galet dans le trou.
- Orienter le galet de manière à ce que le triangle soit pointé vers le haut. Cela met la porte à sa position la plus basse, ce qui facilite les réglages.
- Serrer solidement le galet sur le verre à la main avec le joint et le boulon.
- À l'aide de la clé fournie, serrer solidement le boulon à 3/4 po au moins au-delà du serrage manuel. Le joint pourrait fléchir lors du serrage du boulon.
- Répéter ces étapes pour le deuxième galet.



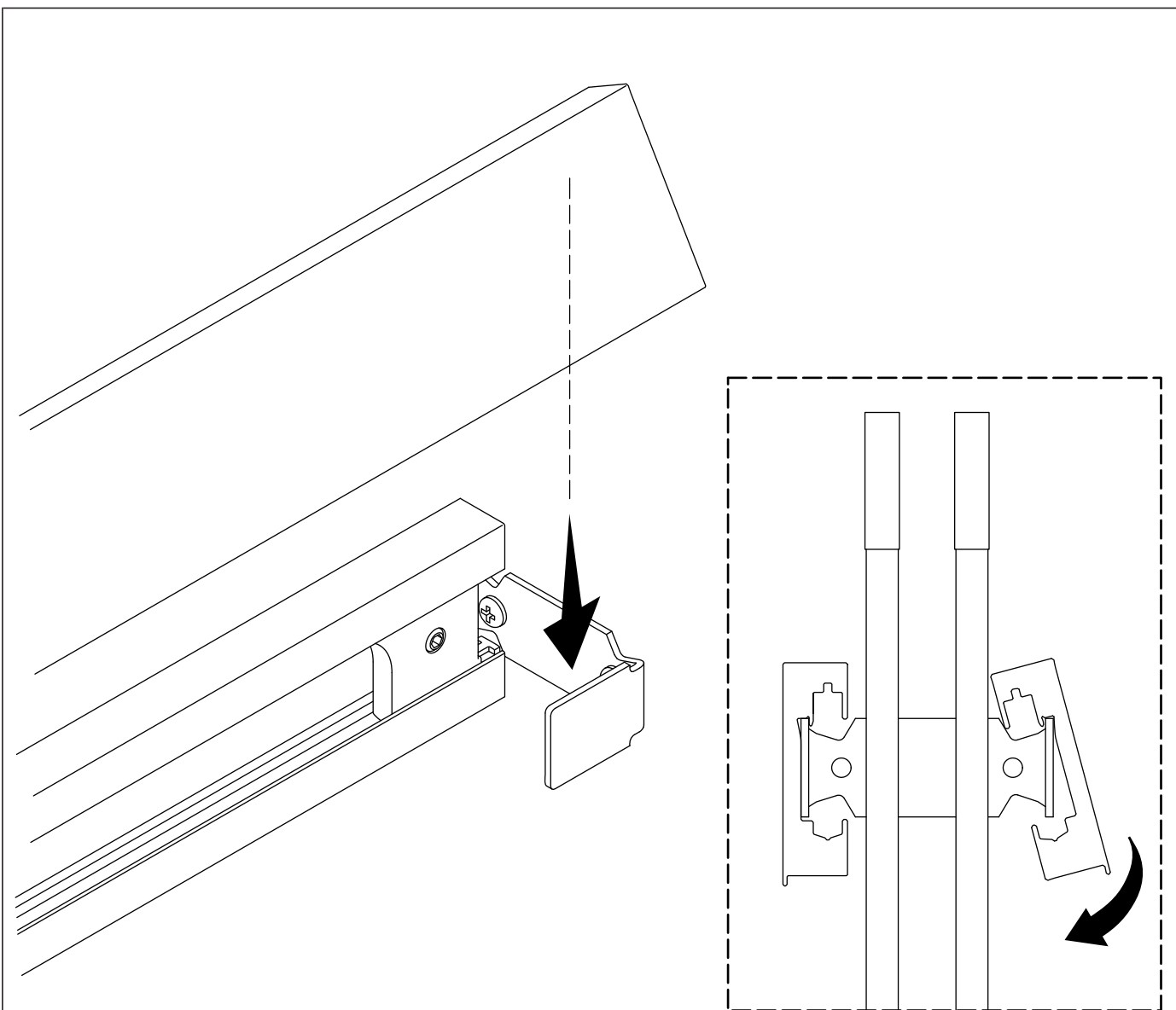
## 18. Positionner le panneau extérieur

**REMARQUE:** Les protecteurs de coin doivent encore être installés sur le panneau à ce point.

**REMARQUE:** Les galets et l'étiquette sont tournés vers l'extérieur de la douche.

**REMARQUE:** Placer la bride d'installation à un emplacement où elle peut être atteinte avant cette étape, ou la placer sur le dessus du panneau en verre.

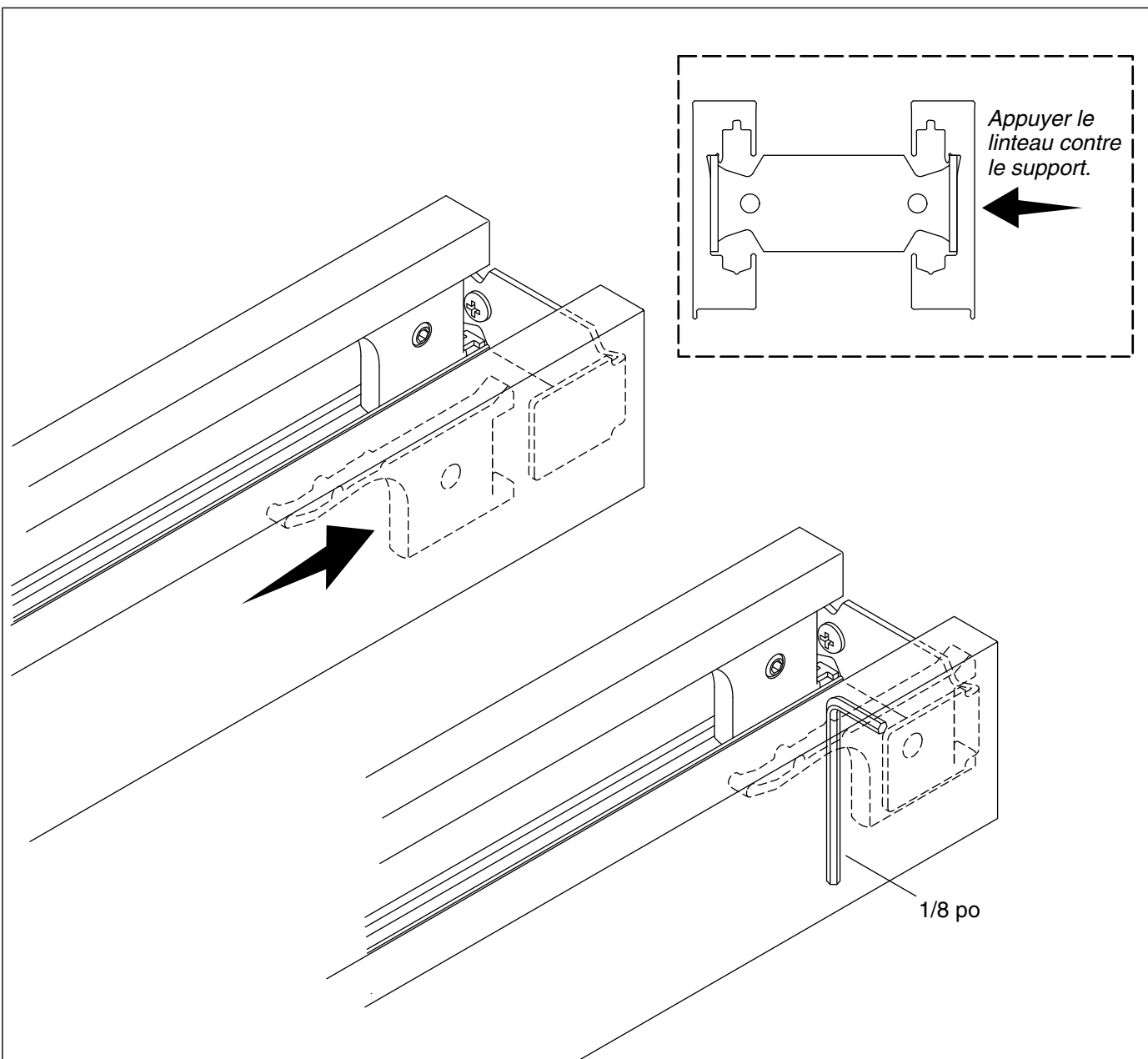
- Avec de l'aide, à partir de l'extérieur de la douche, lever le panneau et positionner le bas dans le canal extérieur dans le guide central.
- Pencher le panneau contre le panneau intérieur et placer la bride d'installation par-dessus le dessus des deux panneaux. S'assurer que le panneau est maintenu en place avant de passer à l'étape suivante.



## 19. Installer le linteau extérieur

**AVIS:** Les deux linteaux sont identiques.

- Avec la face plate du linteau tournée vers l'extérieur de la douche, incliner le linteau comme sur l'illustration et l'abaisser sur les deux supports en même temps.
- Tourner le linteau sur les deux supports en même temps de manière à ce qu'il soit à la verticale et à plat contre les supports.
- Le linteau sera légèrement desserré. Il sera sécurisé au cours de la prochaine section.



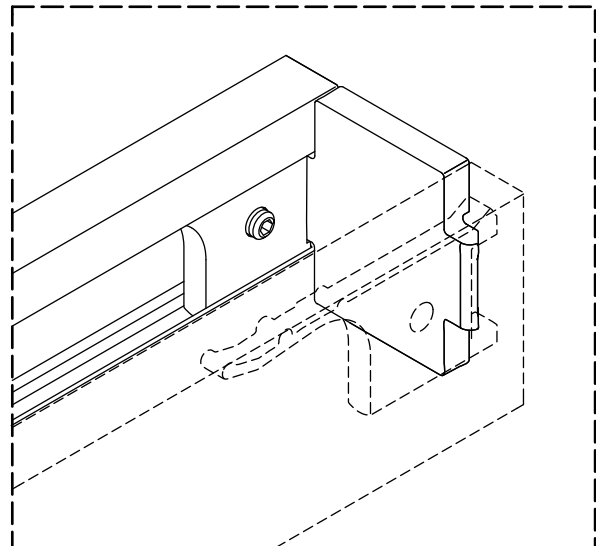
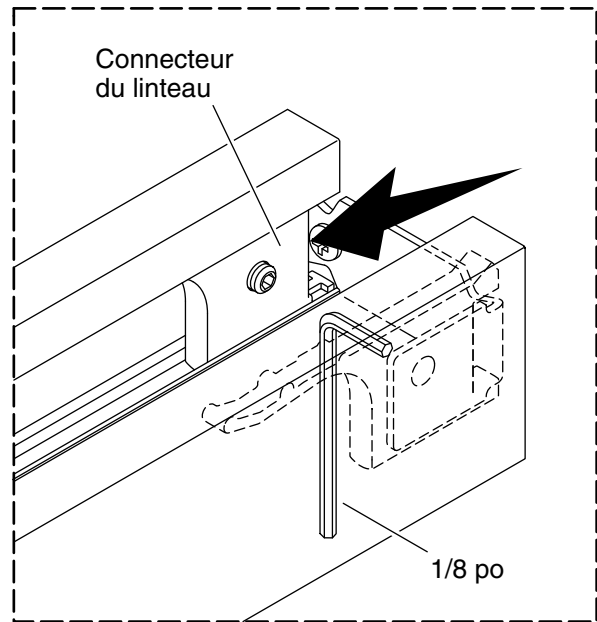
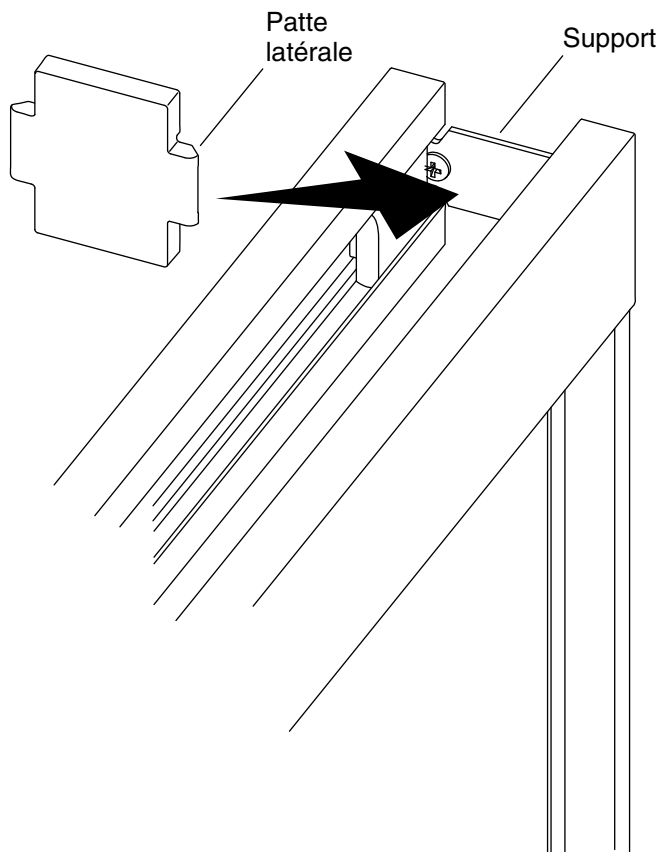
## 20. Fixer le linteau extérieur sur le support

**IMPORTANT!** Le linteau est fixé sur les supports dans cette étape de manière à ce que le panneau de porte puisse être suspendu.

- Appuyer le linteau contre le support et glisser les connecteurs du linteau entièrement sur le mur à chaque extrémité du linteau.

**REMARQUE:** Si le connecteur du linteau ne glisse pas par-dessus le support, soit il sera nécessaire de desserrer la vis, soit le linteau n'est pas installé correctement sur le support, soit le support est incliné à l'écart du mur. Effectuer tous les réglages nécessaires.

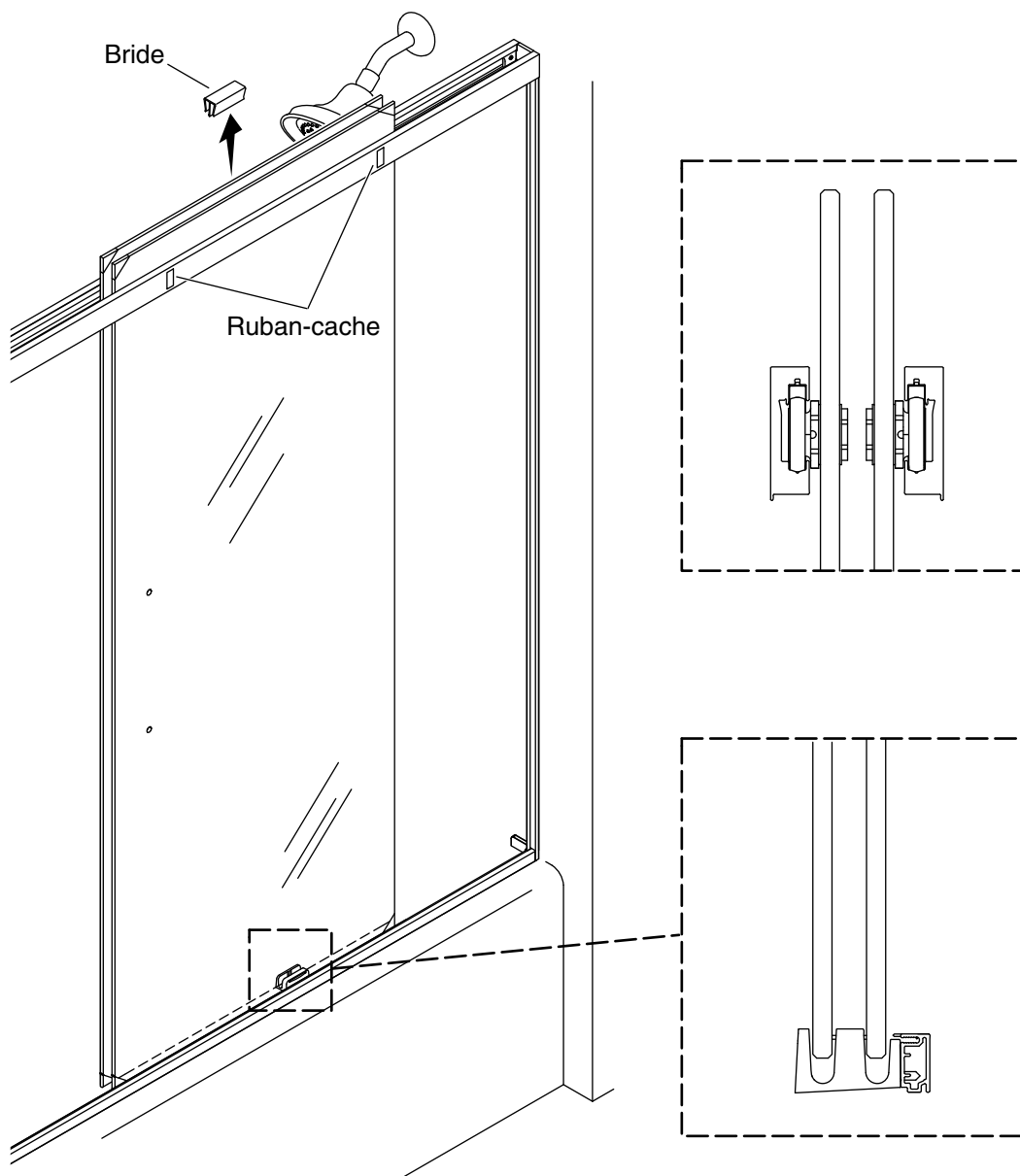
- Fixer le linteau en serrant chaque vis de connecteur avec une clé hexagonale de 1/8 po.



## 21. Installer les butoirs

**REMARQUE:** Pour faciliter l'installation du linteau, les connecteurs du linteau devront peut-être être desserrés et éloignés temporairement du support.

- Enfoncer la patte latérale du butoir dans l'extrémité de l'un des linteaux à l'arrière du connecteur du linteau. Si la patte ne s'adapte pas, utiliser une clé hexagonale de 1/8 po pour desserrer le connecteur du linteau.
- Tourner le butoir contre le support et enfoncer la patte opposée dans le linteau opposé.
- Répéter pour le deuxième butoir sur le côté opposé.
- S'assurer que les connecteurs du linteau sont bien à ras contre les butoirs. Serrer la vis d'arrêt pour fixer en place.

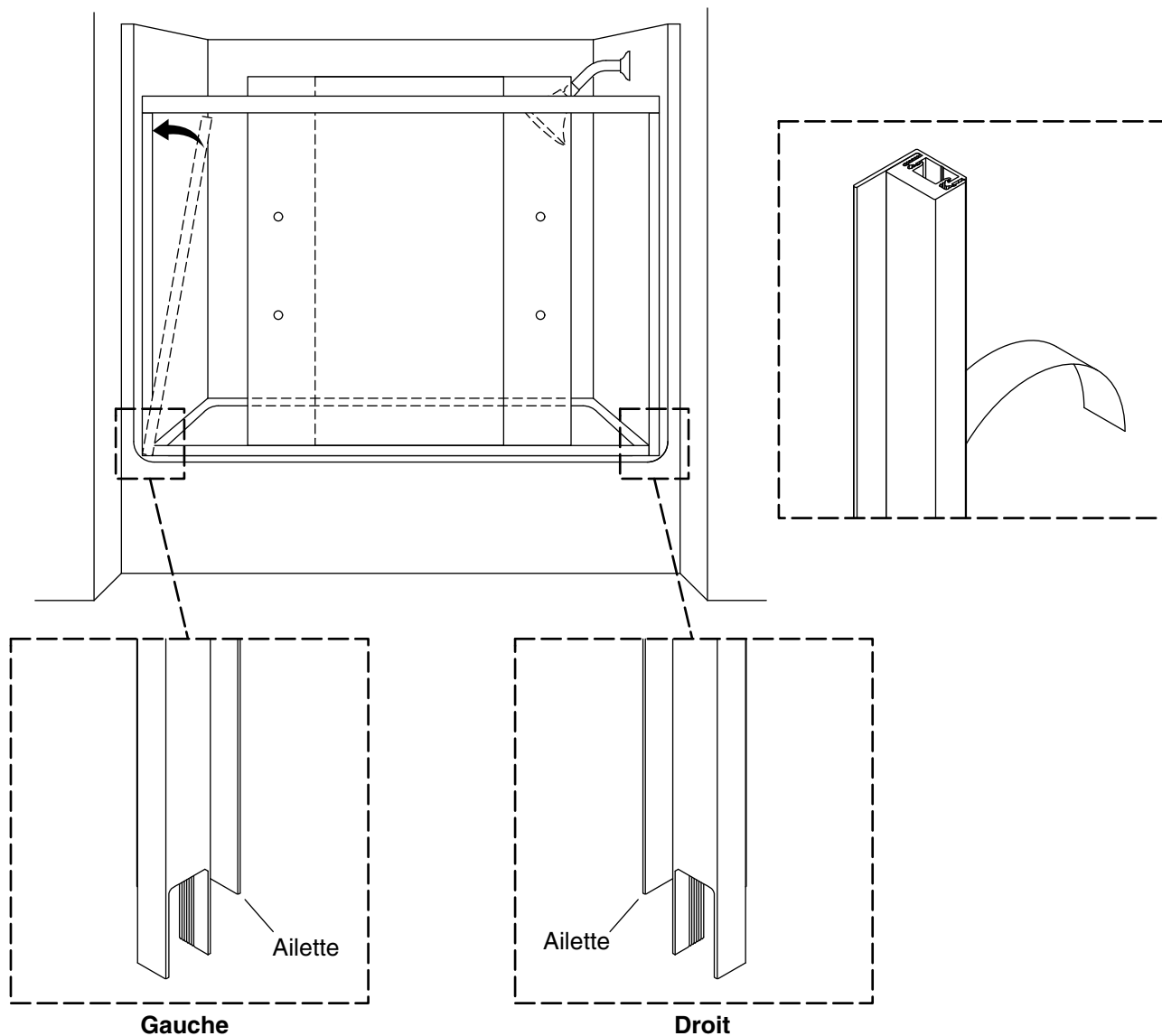


## 22. Installer le panneau de porte extérieur

**REMARQUE:** Les galets et l'étiquette sont tournés vers l'extérieur de la douche.

- Noter le ruban indiquant les emplacements des encoches dans la section « Mesurer et couper les linteaux ».
- Retirer la bride des dessus des panneaux.
- Avec de l'aide, à partir de l'extérieur de la douche, lever le panneau extérieur, aligner un galet avec l'encoche dans le linteau extérieur, et mettre le galet sur le rail de galets.
- Lever le panneau juste suffisamment pour placer le galet dans une encoche sur le linteau. Glisser ensuite le panneau de manière à ce que le deuxième galet soit aligné avec l'encoche dans le linteau.
- Vérifier que le bas du panneau de porte se trouve toujours dans le canal du guide central.
- Retirer les protecteurs de coins des panneaux.
- S'assurer que les deux panneaux se déplacent avec souplesse de gauche à droite.

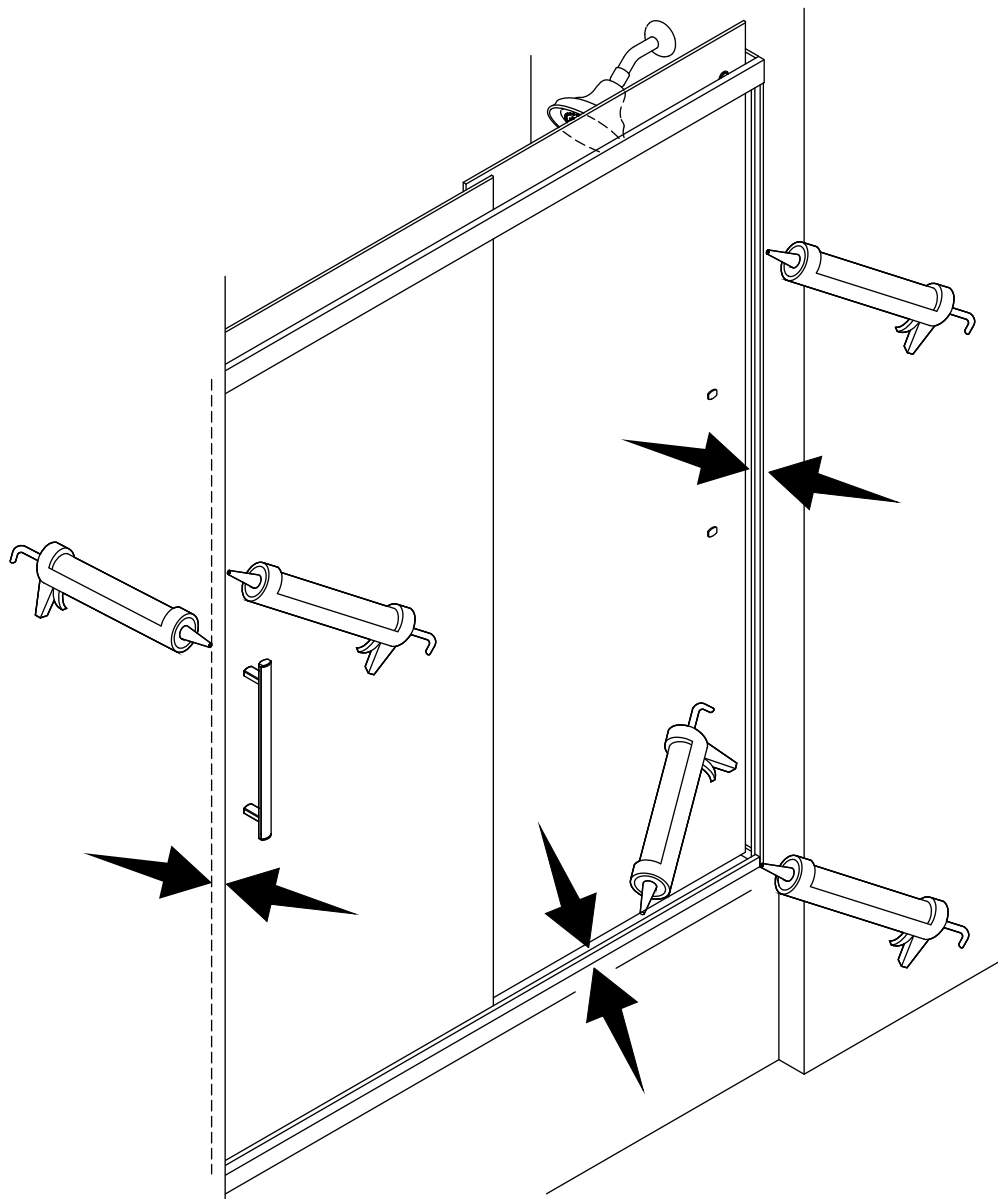




## 23. Installer les montants de mur

**REMARQUE:** Les ailettes se trouvant sur les montants de mur sont tournées vers l'intérieur de la douche.

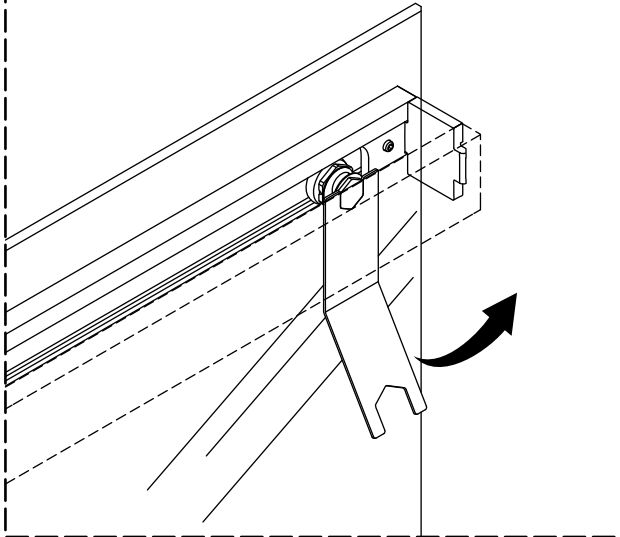
- Nettoyer rigoureusement les murs de la douche à l'arrière des montants de mur en utilisant les tampons à l'alcool fournis avant de continuer.
- Retirer le film de l'adhésif sur l'arrière du montant de mur.
- Aligner avec précaution le bas du montant de mur par-dessus le seuil, puis incliner vers le haut, en direction du mur. Le dessus du montant de mur doit s'aligner avec le linteau.
- Appuyer fermement pour coller l'adhésif sur le mur.
- Répéter pour le deuxième montant de mur.



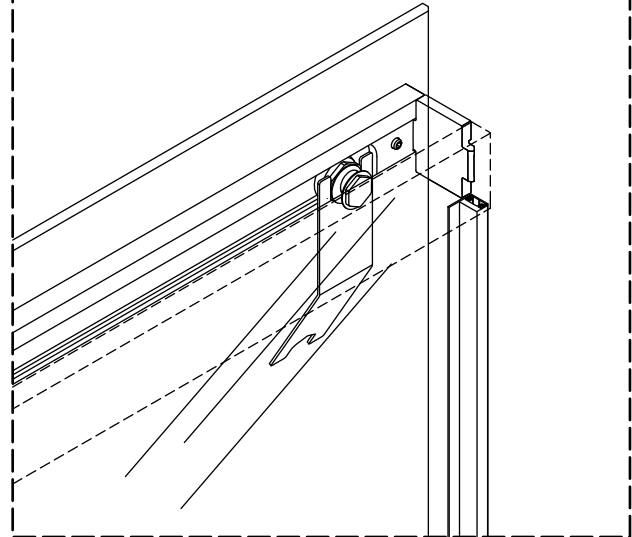
## 24. Sceller la porte de la douche

- Installer les poignées sur les panneaux en verre en suivant les instructions fournies avec celles-ci.
- Appliquer du mastic à la silicone à 100% sur les zones spécifiées ci-dessous :
  - Le long des montants de mur à l'intérieur et à l'extérieur de la douche/du bain.
  - Le long du bord intérieur et extérieur du seuil.
  - Autour du guide central.
  - Autour des butées inférieures de gauche et de droite.

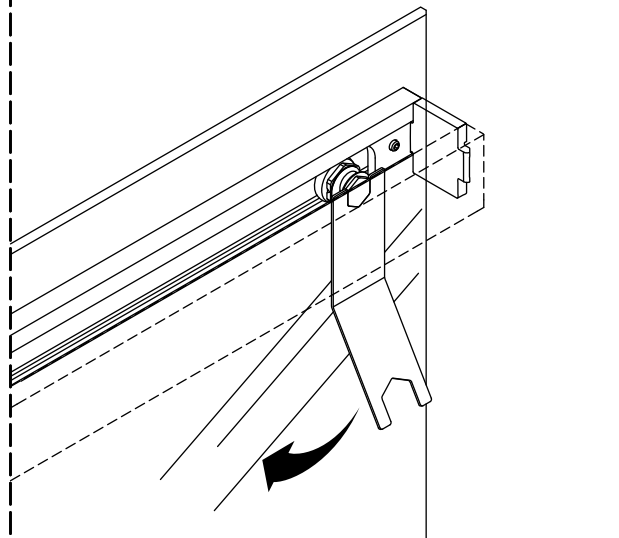
Desserrer le boulon



Ajuster la came du galet



Serrer le boulon



## Ajustement et entretien de panneau

**AVIS:** Les panneaux pourraient nécessiter un ajustement pour assurer qu'ils touchent les butées du haut et du bas dans la position fermée appropriée. Le panneau intérieur doit se fermer sur le côté pomme de douche, et le panneau extérieur doit se fermer sur le côté opposé.

- Pour ajuster les panneaux, desserrer le boulon du galet avec la clé fournie. **Ne pas desserrer excessivement!**
- Ajuster l'alignement de chaque extrémité du panneau en tournant le galet avec la clé fournie.
- Continuer jusqu'à ce que la porte fonctionne avec souplesse, s'aligne uniformément avec les murs de la douche, et que les panneaux de porte touchent les butées du haut et du bas en même temps.
- Lorsque terminé, serrer **solidement** les quatre boulons des galets de 3/4 tour au moins au-delà du serrage manuel.

### Entretien

## Ajustement et entretien de panneau (cont.)

- Vérifier le serrage des galets tous les ans.
- Conserver la clé fournie pour un ajustement ou un resserrage ultérieurs.

## Entretien et nettoyage

Pour obtenir les meilleurs résultats possibles, prendre ce qui suit en considération lors de l'entretien de votre produit KOHLER :

- Toujours tester la solution de nettoyage sur une surface non visible avant de l'appliquer sur l'ensemble de la surface.
- Essuyer les surfaces et rincer complètement avec de l'eau immédiatement après l'application du nettoyant. Rincer et sécher tout éclaboussement sur les surfaces avoisinantes.
- Ne pas laisser les nettoyeurs tremper sur les surfaces.
- Utiliser une éponge ou un chiffon doux et humide. Ne jamais utiliser de matériau abrasif comme une brosse ou une éponge à récurer pour nettoyer les surfaces.
- La technique de nettoyage idéale est de bien rincer et d'essuyer le produit pour le sécher après chaque usage.

Pour obtenir des renseignements détaillés sur le nettoyage et les produits à considérer, consulter le site [www.kohler.com/clean](http://www.kohler.com/clean). Pour commander des renseignements sur le nettoyage, appeler le 1-800-456-4537.

## Dépannage

Ce guide de dépannage est seulement destiné à fournir une aide d'ordre général. Pour des problèmes ou questions concernant l'entretien et l'installation, composer le 1-800-4-KOHLER.

### Tableau de dépannage

Symptômes	Cause probable	Action recommandée
1. La porte fait du bruit lorsqu'elle est ouverte ou fermée.	<p><b>A.</b> Le support pourrait être installé trop loin hors du niveau.</p> <p><b>B.</b> Les panneaux de porte sont placés trop bas, et raclent la base du guide central ou la base de la douche/le rebord de la baignoire.</p> <p><b>C.</b> Les galets sont desserrés.</p> <p><b>D.</b> Les galets sont usés et bruyants.</p>	<p><b>A.</b> Retirer les panneaux et les linteaux, et mettre le support à niveau. Si le support ne peut pas être mis à niveau, appeler le service à la clientèle.</p> <p><b>B.</b> Ajuster les galets pour élever les panneaux de porte. Se référer à la section « Ajuster les panneaux de porte ».</p> <p><b>C.</b> Serrer les boulons des galets avec la clé fournie.</p> <p><b>D.</b> Remplacer les galets.</p>
2. Il est difficile de déplacer la porte ou elle ne s'ouvre pas.	<p><b>A.</b> Les panneaux de porte sont placés trop bas et raclent la base du guide central ou la base de la douche/le rebord de la baignoire.</p> <p><b>B.</b> La bande d'étanchéité du seuil n'est pas entièrement assise, ce qui fait que le panneau extérieur de la porte frotte.</p> <p><b>C.</b> Les linteaux ne sont pas sécurisés sur les supports.</p> <p><b>D.</b> Les galets sont desserrés.</p>	<p><b>A.</b> Ajuster les galets pour élever les panneaux de porte. Se référer à la section « Ajuster les panneaux de porte ».</p> <p><b>B.</b> Enfoncez le joint d'étanchéité entièrement dans le seuil.</p> <p><b>C.</b> Vérifier que les connecteurs des linteaux sont positionnés par-dessus les supports et sécurisés en place avec les vis d'arrêt.</p> <p><b>D.</b> Serrer les boulons des galets avec la clé fournie.</p>

## Dépannage (cont.)

### Tableau de dépannage

Symptômes	Cause probable	Action recommandée
3. Les panneaux de la porte peuvent basculer librement vers l'intérieur ou l'extérieur de la douche.	<p><b>A.</b> Le guide central n'est pas installé.</p> <p><b>B.</b> Le guide central n'est pas installé dans l'emplacement correct.</p> <p><b>C.</b> Les panneaux de porte ne sont pas installés correctement sur le guide central.</p> <p><b>D.</b> Les panneaux de porte sont trop élevés.</p>	<p><b>A.</b> Installer le guide central selon les instructions.</p> <p><b>B.</b> Installer le guide central sur le centre du seuil.</p> <p><b>C.</b> Les panneaux de porte doivent être positionnés dans les canaux du guide central.</p> <p><b>D.</b> Ajuster les galets pour abaisser les panneaux. Se référer à la section « Ajuster les panneaux de porte ».</p>
4. Le guide central est desserré.	<p><b>A.</b> Le guide central n'est pas installé par-dessus l'agrafe.</p> <p><b>B.</b> L'agrafe du guide central n'est pas installée.</p> <p><b>C.</b> La vis qui connecte l'agrafe du guide central est desserrée.</p> <p><b>D.</b> Le film sur l'adhésif sur le bas du guide central n'a pas été retiré.</p>	<p><b>A.</b> Retirer le linteau extérieur et les deux panneaux de porte. Réinstaller le guide central par-dessus l'agrafe. Réinstaller les panneaux et le linteau extérieur.</p> <p><b>B.</b> Retirer le linteau extérieur et les deux panneaux de porte. Installer l'agrafe, puis installer le guide central par-dessus l'agrafe. Réinstaller les panneaux et le linteau extérieur.</p> <p><b>C.</b> Retirer le linteau extérieur et les deux panneaux de porte. Serrer la vis de l'agrafe. Si la vis ne se serre pas, percer un nouveau trou à proximité du trou d'origine. Installer le guide central par-dessus l'agrafe. Réinstaller les panneaux et le linteau extérieur.</p> <p><b>D.</b> Retirer le linteau extérieur et les deux panneaux de porte. Lever le guide central hors de l'agrafe, retirer le fil sur le ruban et réinstaller le guide central par-dessus l'agrafe. Réinstaller les panneaux et le linteau extérieur.</p>
5. Fuites d'eau.	<p><b>A.</b> Fuites d'eau sous le seuil.</p> <p><b>B.</b> Fuites d'eau sous un panneau de porte.</p> <p><b>C.</b> Fuites d'eau sous un panneau de porte.</p> <p><b>D.</b> Fuites d'eau entre les panneaux de porte.</p>	<p><b>A.</b> Appliquer du mastic d'étanchéité à la silicone à 100% sur le bord extérieur du seuil. Voir les instructions du fabricant du mastic d'étanchéité avant d'utiliser la douche.</p> <p><b>B.</b> Ajuster les galets pour abaisser les panneaux de porte et les rapprocher du rebord de la douche. Se référer à la section « Ajuster les panneaux de porte ».</p> <p><b>C.</b> Vérifier la hauteur du linteau. Utiliser le montant de mur pour vérifier ou mettre les mesures ici.</p> <p><b>D.</b> Lorsqu'on prend une douche, s'assurer que le panneau intérieur est le plus proche de la pomme de douche.</p>

## Dépannage (cont.)

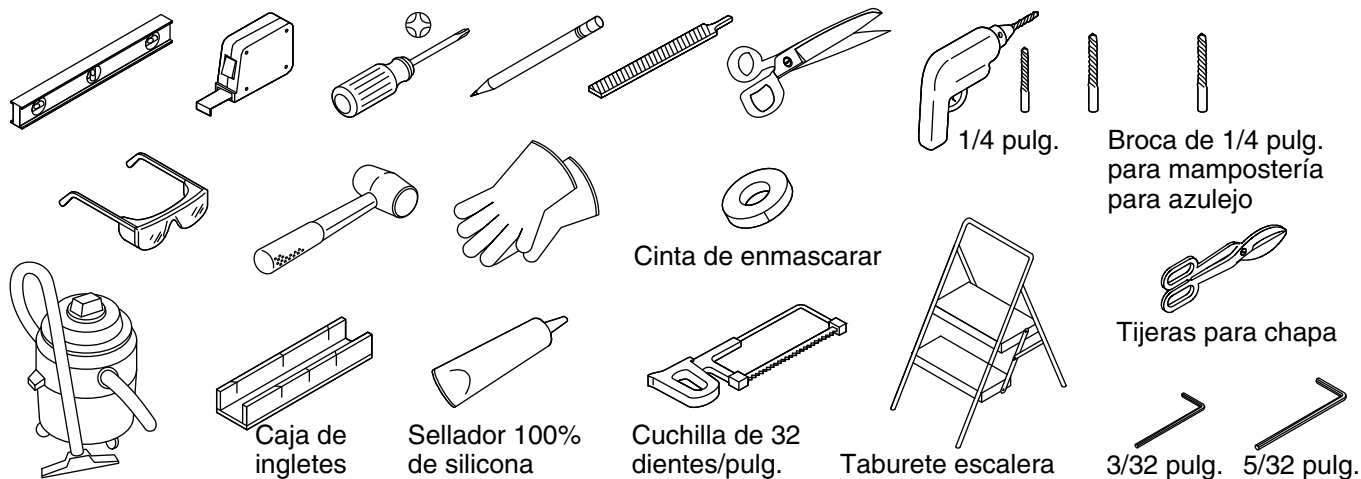
### Tableau de dépannage

Symptômes	Cause probable	Action recommandée
	<p>E. Fuites d'eau autour du montant de mur.</p> <p>F. Fuites d'eau dans le bas du montant de mur et par-dessus le seuil.</p>	<p>E. Ajuster le panneau de porte de manière à ce que le panneau touche les butées du haut et du bas. Essayer de ne pas projeter de l'eau directement sur les panneaux de porte.</p> <p>F. Si un écart est présent entre le bas de la bande d'étanchéité du montant de mur et le haut du seuil, siliconer cette zone.</p>
6. Le montant de mur ne peut pas être installé sous le linteau.	A. Le support est installé trop bas.	A. Ajuster le support plus haut en desserrant les vis et en poussant vers le haut sur le support.







# Guía de instalación

## Puertas corredizas de bañera y de ducha

### Herramientas y materiales



### Antes de comenzar

-  **ADVERTENCIA: Riesgo de lesiones graves.** Daños previos a la instalación pueden ocasionar que el vidrio se quiebre en pedazos. Antes de hacer la instalación, revise el vidrio y todas las piezas para ver si presentan daños.
-  **ADVERTENCIA: Riesgo de lesiones graves.** Si la instalación se hace de manera incorrecta, el vidrio podría quebrarse en pedazos. Siga todas las instrucciones de instalación.
-  **ADVERTENCIA: Riesgo de lesiones graves.** No corte el vidrio templado. El vidrio templado se quiebra en pedazos si se trata de cortarlo.
-  **ADVERTENCIA: Riesgo de lesiones graves.** El panel de la puerta y los paneles laterales de la ducha podrían quebrarse en pedazos. Revise con regularidad el vidrio y todas las piezas para ver si presentan daños, si algo falta o si hay piezas sueltas.
-  **ADVERTENCIA: Riesgo de lesiones graves.** Siempre use anteojos de seguridad al cortar y al taladrar.
-  **PRECAUCIÓN: Riesgo de lesiones personales.** El vidrio templado no debe hacer contacto con superficies duras, pues podría quebrarse en pedazos. No toque el filo de un panel de vidrio templado con herramientas ni con ningún otro objeto duro.

**¡IMPORTANTE!** Deje este manual para el usuario final. Lea estas instrucciones antes de instalar o de utilizar este producto.

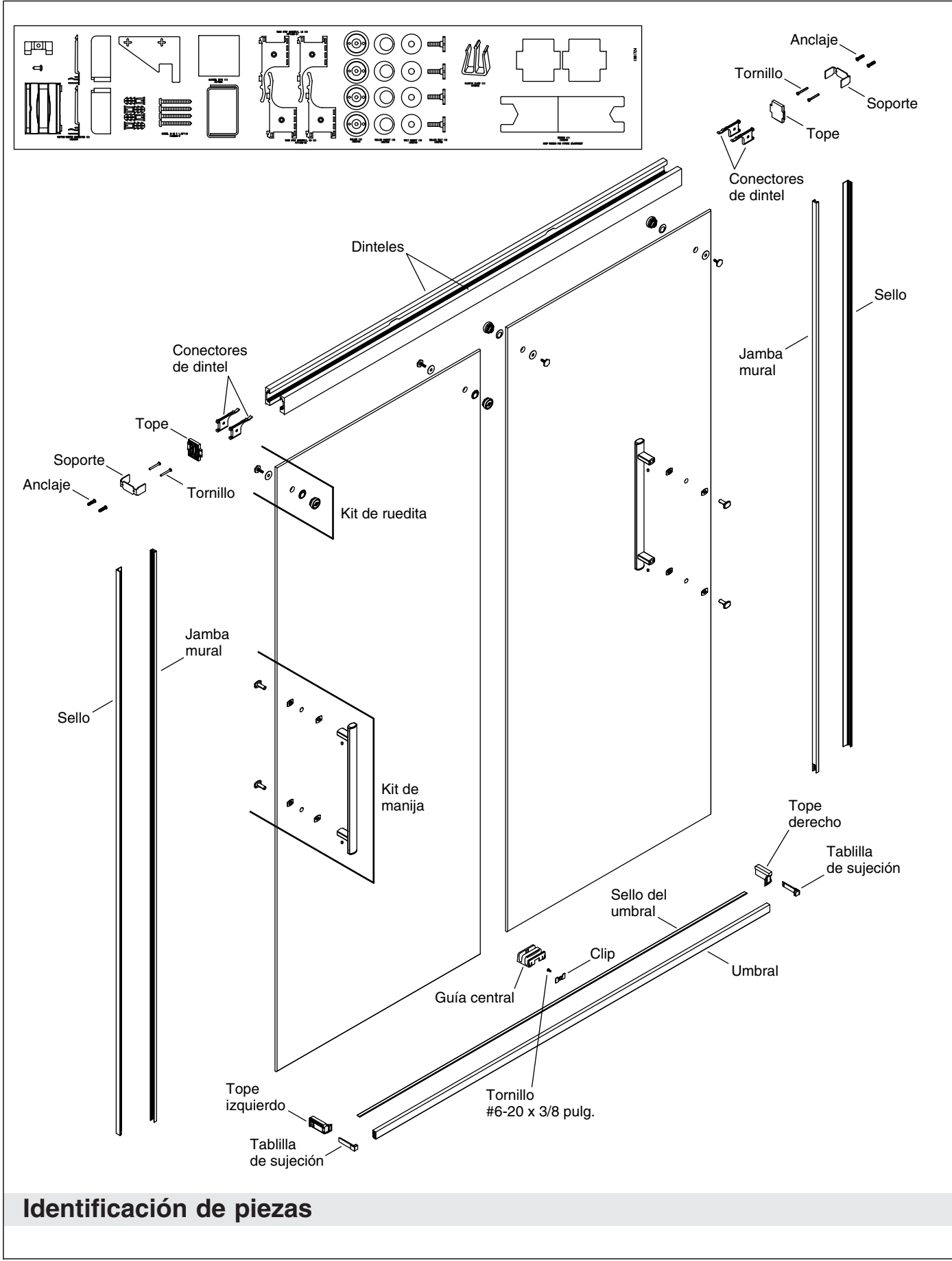
**¡IMPORTANTE!** Esta puerta está diseñada para paredes que estén a menos de 3/8" (10 mm) de estar a plomo. Verifique que el área a la que se vaya a fijar la puerta esté menos de 3/8" (10 mm) de estar a plomo. Es posible que la puerta no funcione correctamente si la pared está fuera de plomo más de 3/8" (10 mm).

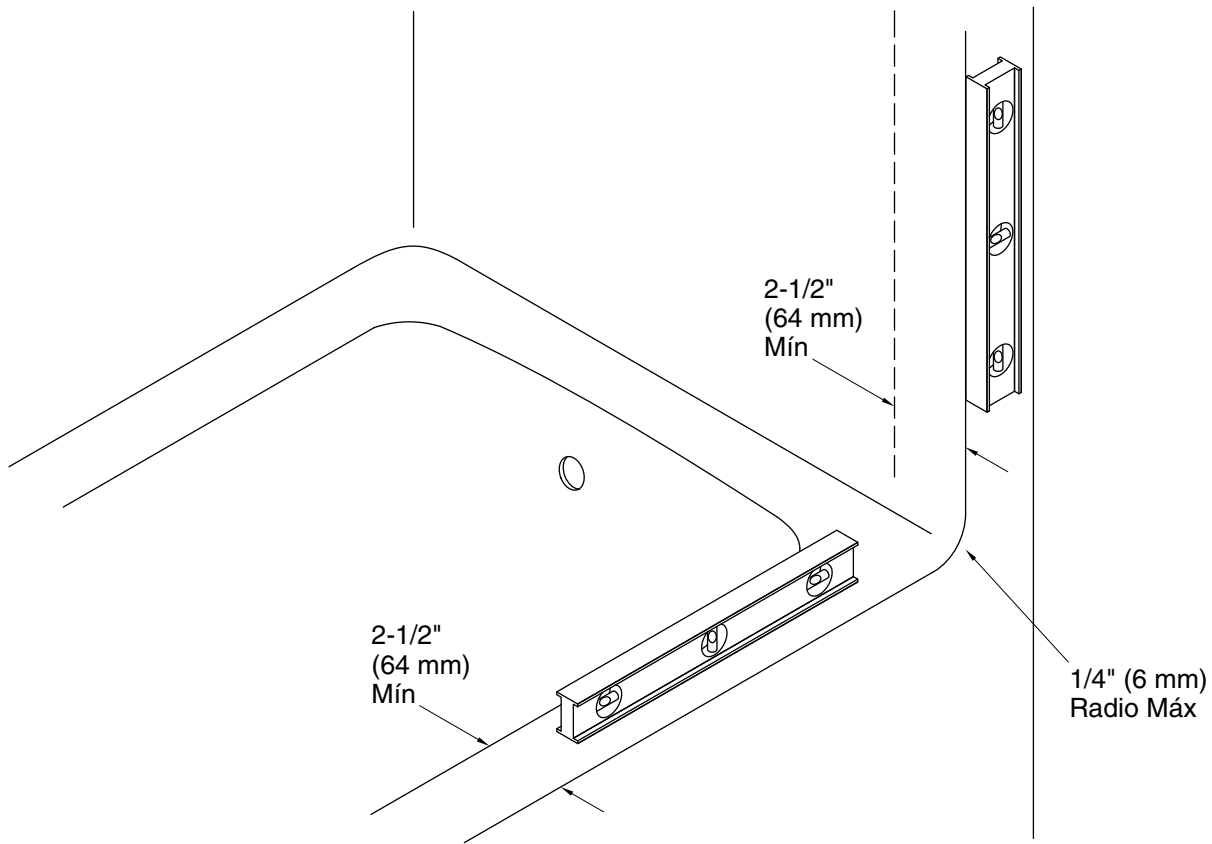
**¡IMPORTANTE!** No retire los protectores esquineros de los paneles de puerta, mientras no estén instalados.

**Antes de comenzar (cont.)**

- Cubra el desagüe con cinta adhesiva de enmascarar para evitar perder piezas pequeñas.
- Identifique todas las piezas antes de la instalación.
- Siga las instrucciones de aplicación y de tiempo de secado del fabricante del sellador de silicona.
- Se requieren dos personas para hacer esta instalación.
- Para ver este video de instalación en línea, visite [us.kohler.com](http://us.kohler.com) y busque el número de su producto.



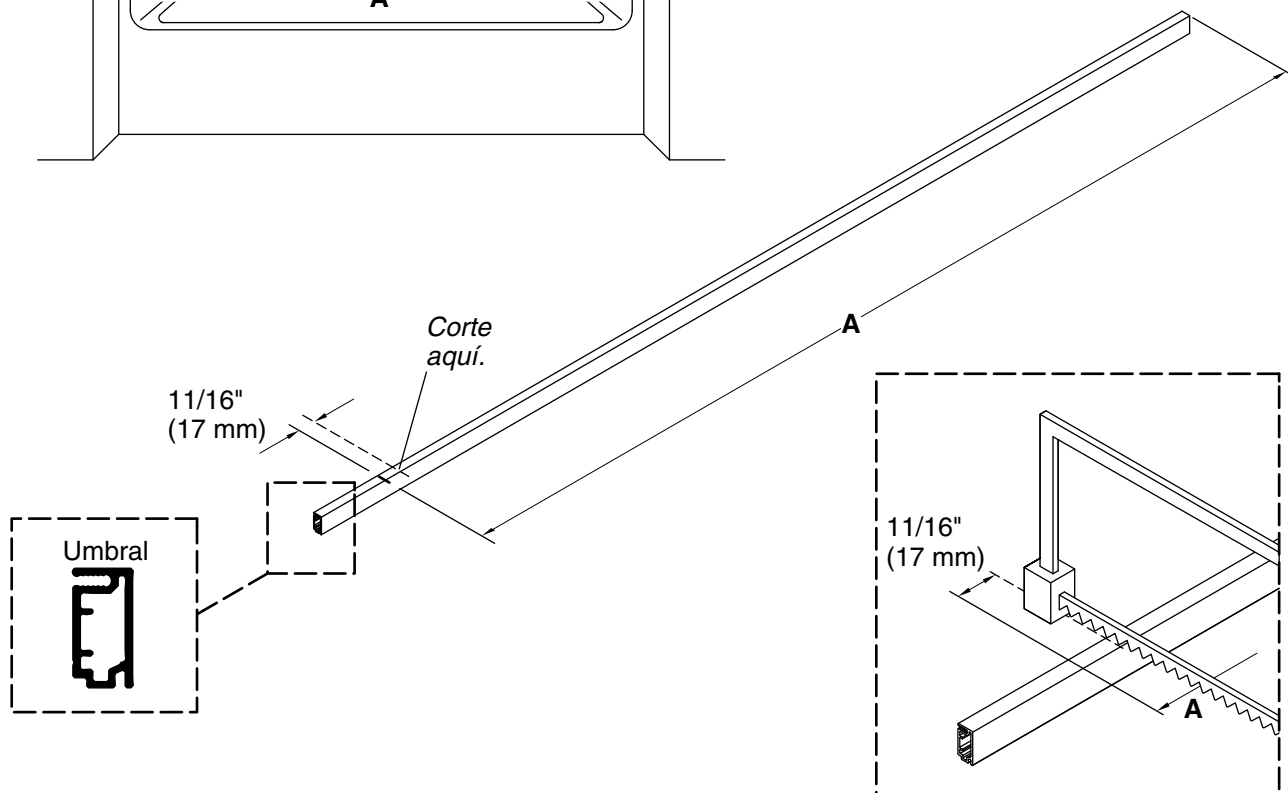
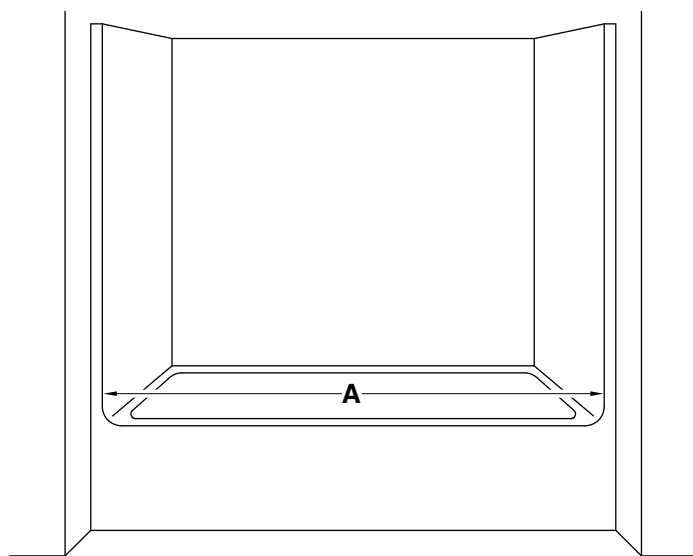




## 1. Confirme la compatibilidad de los rebordes y las paredes

**¡IMPORTANTE!** Para asegurar la alineación y el funcionamiento correctos, confirme que la base de la ducha o el reborde de bañera y las paredes cumplan los siguientes requisitos. **No instale la puerta** si no se cumplen estos requisitos.

- Debe haber por lo menos 2-1/2" (64 mm) de superficie plana en la base de la ducha/el reborde de la bañera y en las paredes.
- Las paredes deben estar a menos de 3/8" (10 mm) de estar a plomo.
- La base de la ducha o el reborde de bañera deben estar nivelados entre las paredes.
- El radio de la base de la ducha o del reborde de la bañera donde hace contacto con la pared debe ser de 1/4" (6 mm) o menos.

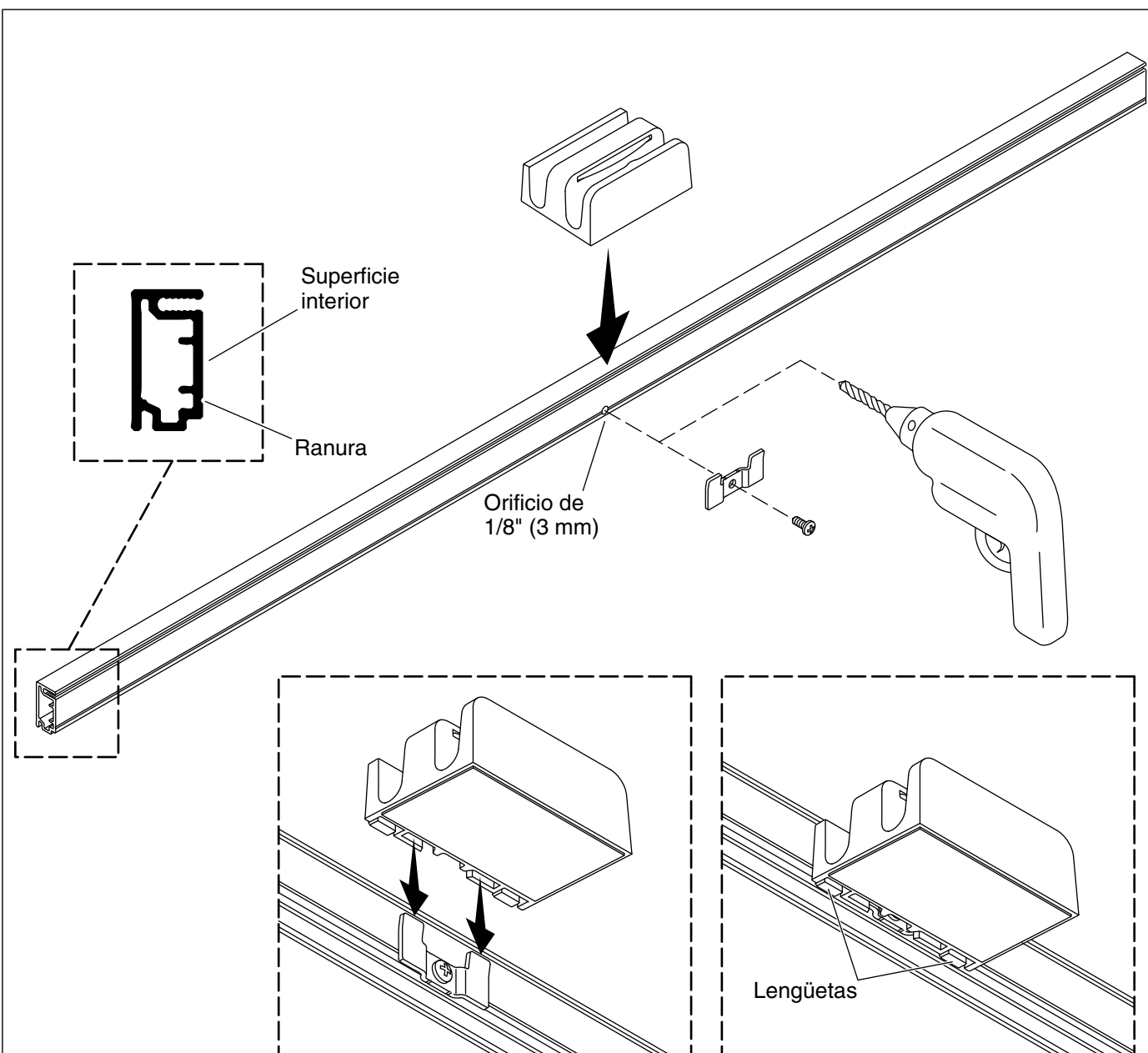


## 2. Mida y corte el umbral



**ADVERTENCIA: Riesgo de lesiones graves.** Siempre use anteojos de seguridad al cortar y al taladrar.

- Cubra el desagüe con cinta de enmascarar para evitar perder piezas pequeñas.
- Proteja la superficie de la ducha con una lona.
- Mida la distancia "A" entre las paredes de la ducha, y márkuela en el umbral.
- Mida 1/2" (13 mm) a partir de la marca "A" y haga una segunda marca en el umbral, como se indica.
- Corte el umbral en la segunda marca y lime los bordes ásperos.

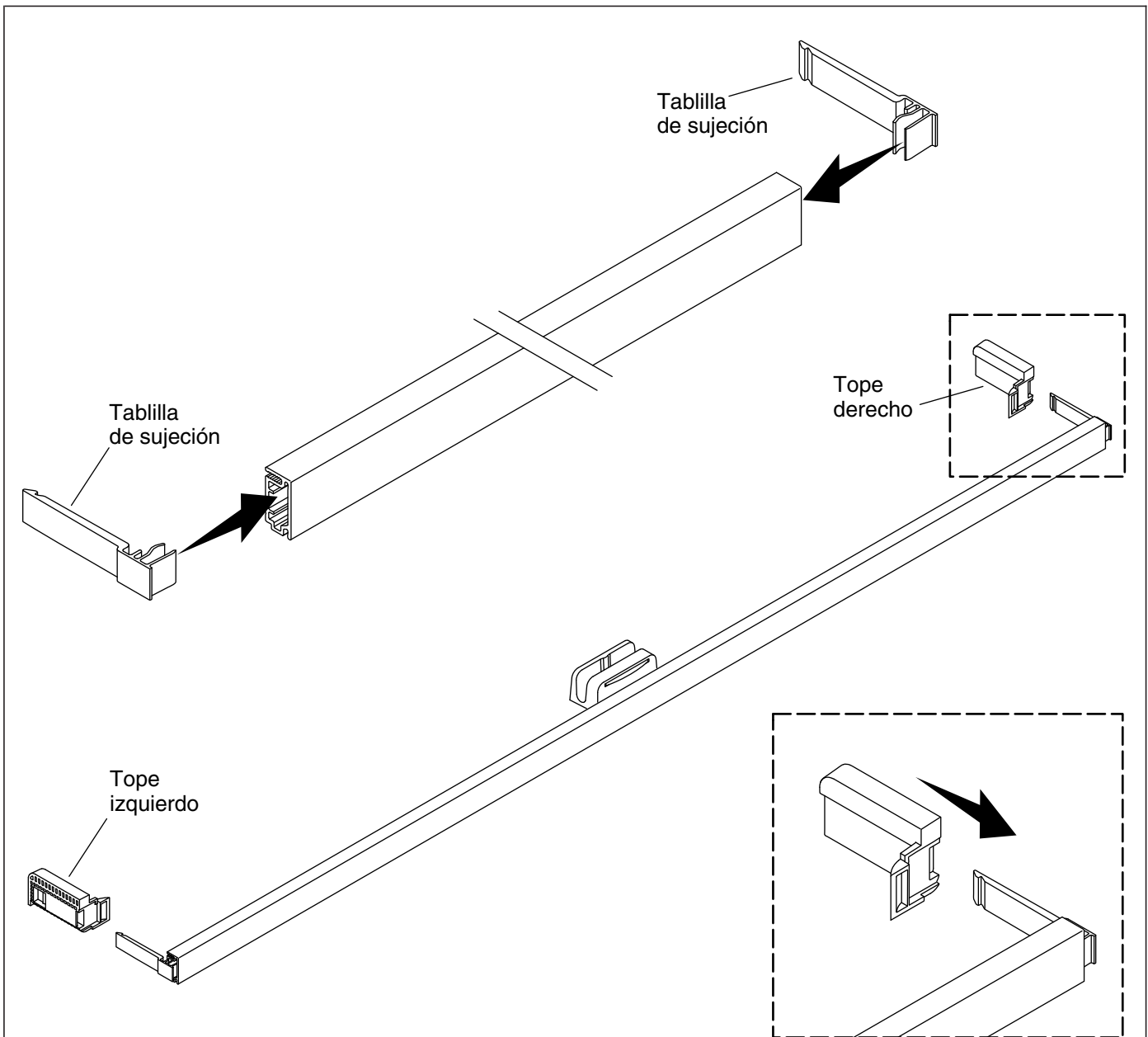


### 3. Instale la guía central

- Mida el centro del umbral. Marque la línea central cerca de la ranura en la superficie interior del umbral.

**¡IMPORTANTE!** Solo taladre a través de la superficie interior.

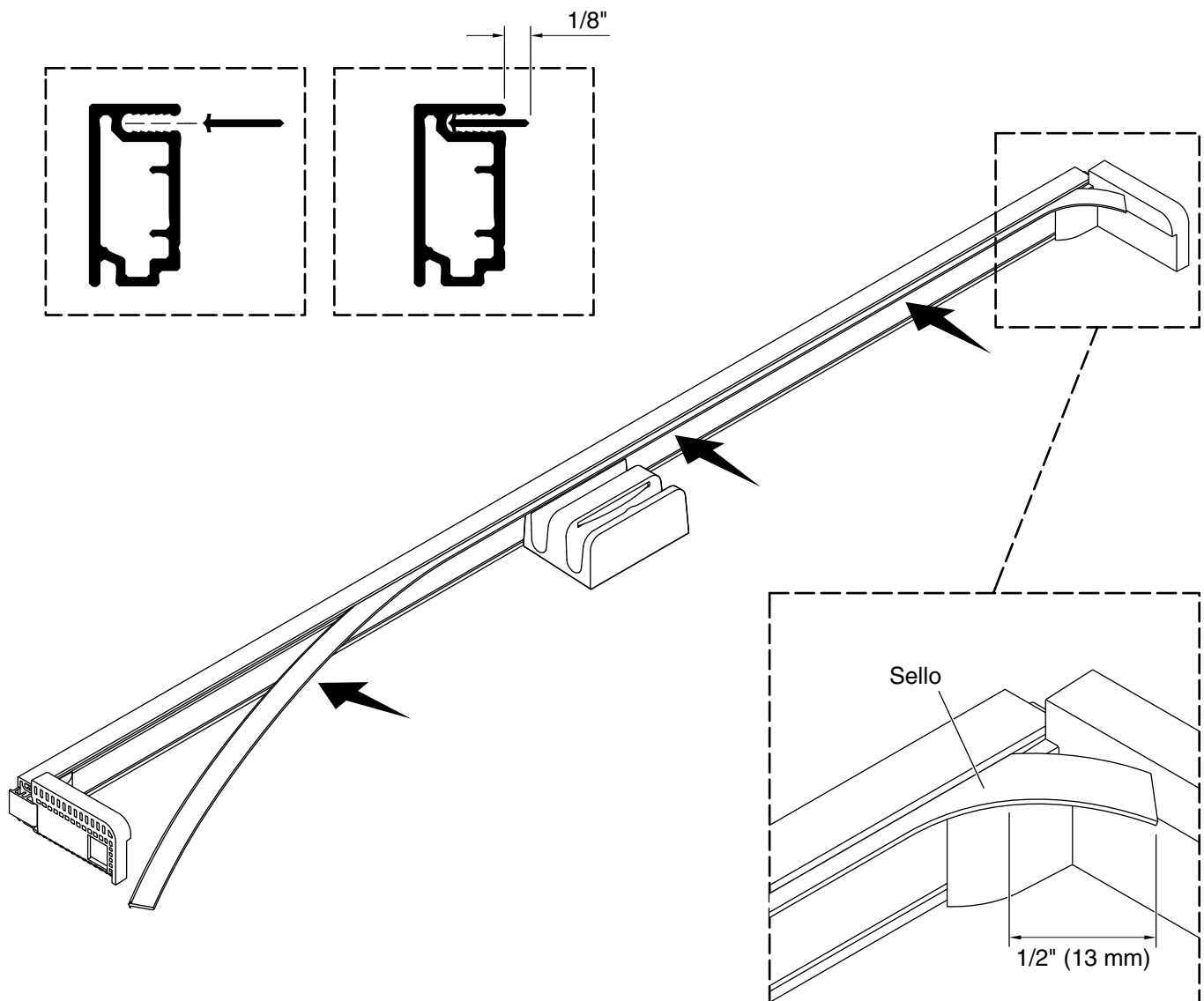
- Taladre un orificio de 1/8 pulg. en la línea central en la ranura de la superficie interior del umbral.
- Instale el clip de la guía central al umbral con el tornillo #6 x 3/8 pulg., que se incluye.
- Oprima la guía central sobre el clip. Asegúrese de que la guía central esté completamente instalada con las lengüetas dobladas bajo la parte inferior del umbral.



#### 4. Instale los topes al umbral

**NOTA:** Hay un tope para el lado izquierdo y otro para el derecho. Las tablillas de sujeción son idénticas.

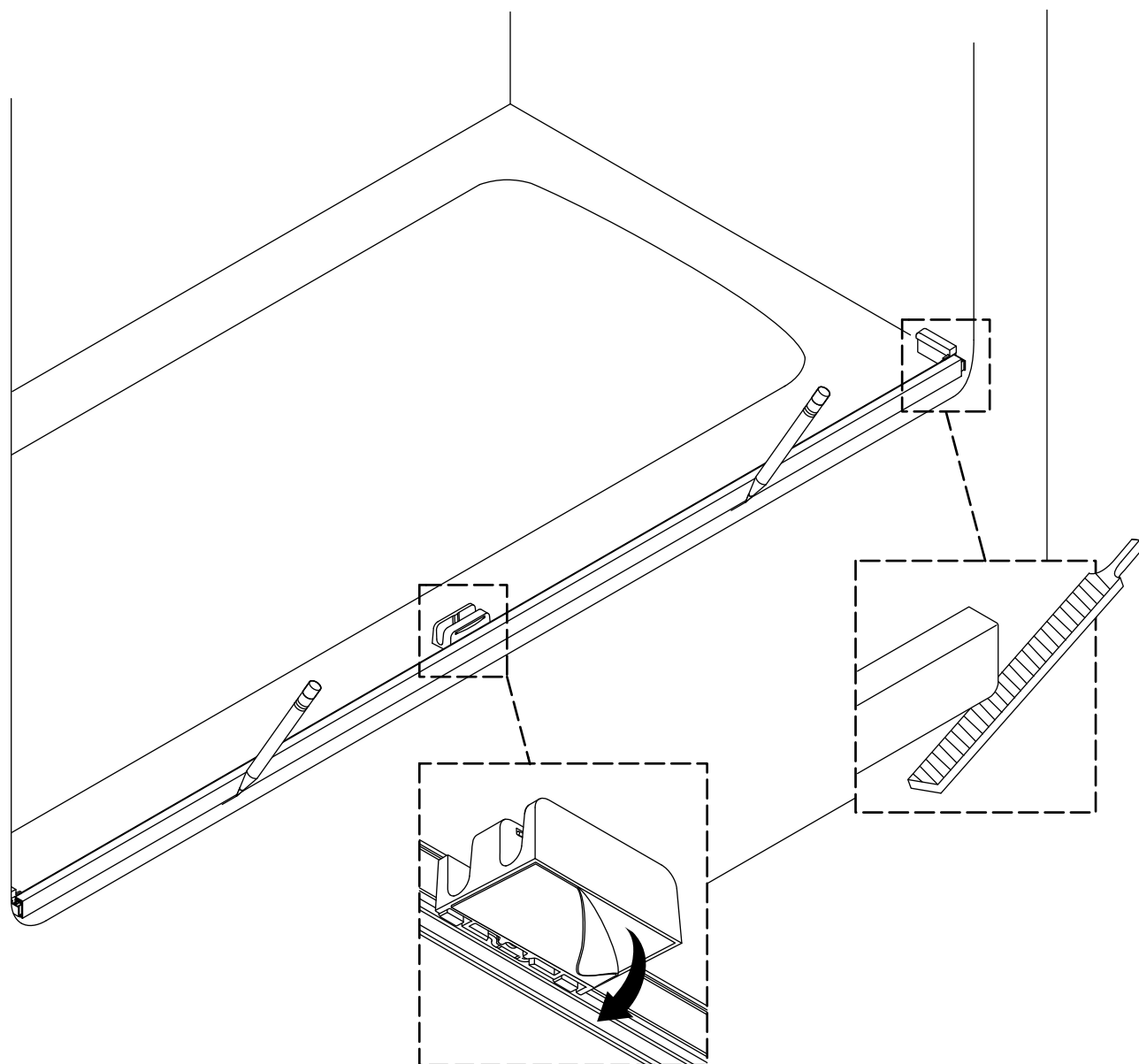
- Instale una tablilla de sujeción a cada extremo del umbral, de forma que queden apuntando en la misma dirección que la guía central.
- Oprima los topes izquierdo y derecho contra las tablillas de sujeción, como se muestra.



## 5. Instale el sello del umbral

**¡IMPORTANTE!** El sello debe instalarse con por lo menos 1/2" (13 mm) sobresaliendo de cada extremo del umbral. El sello se cortará a que ajuste, después de que se haya instalado el umbral.

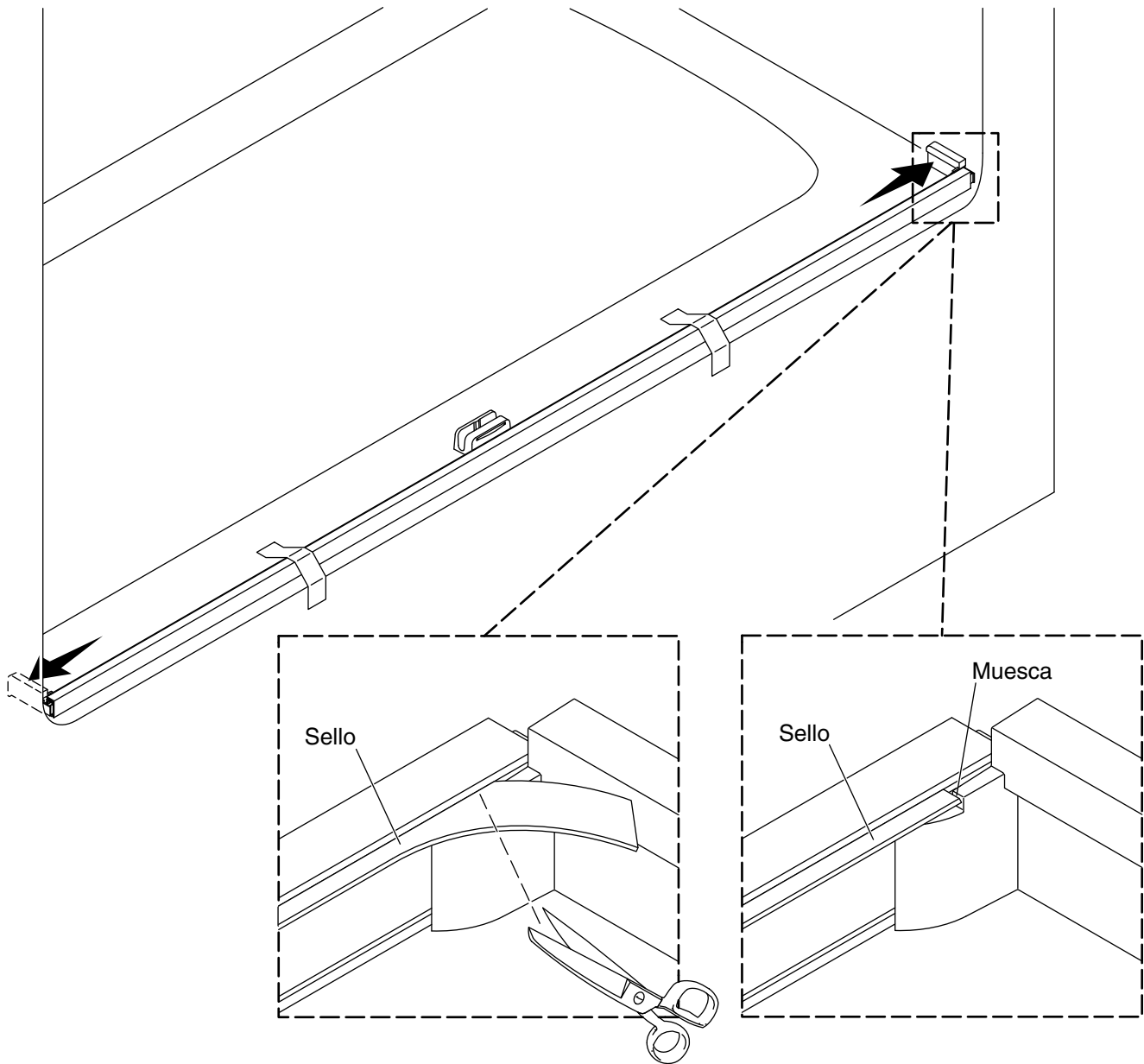
- Oprima el sello en el canal en el umbral, dejando que sobresalga aproximadamente 1/2" (13 mm) del extremo del umbral.



## 6. Coloque el umbral en su lugar

**AVISO:** El umbral debe asentar sobre una superficie plana.

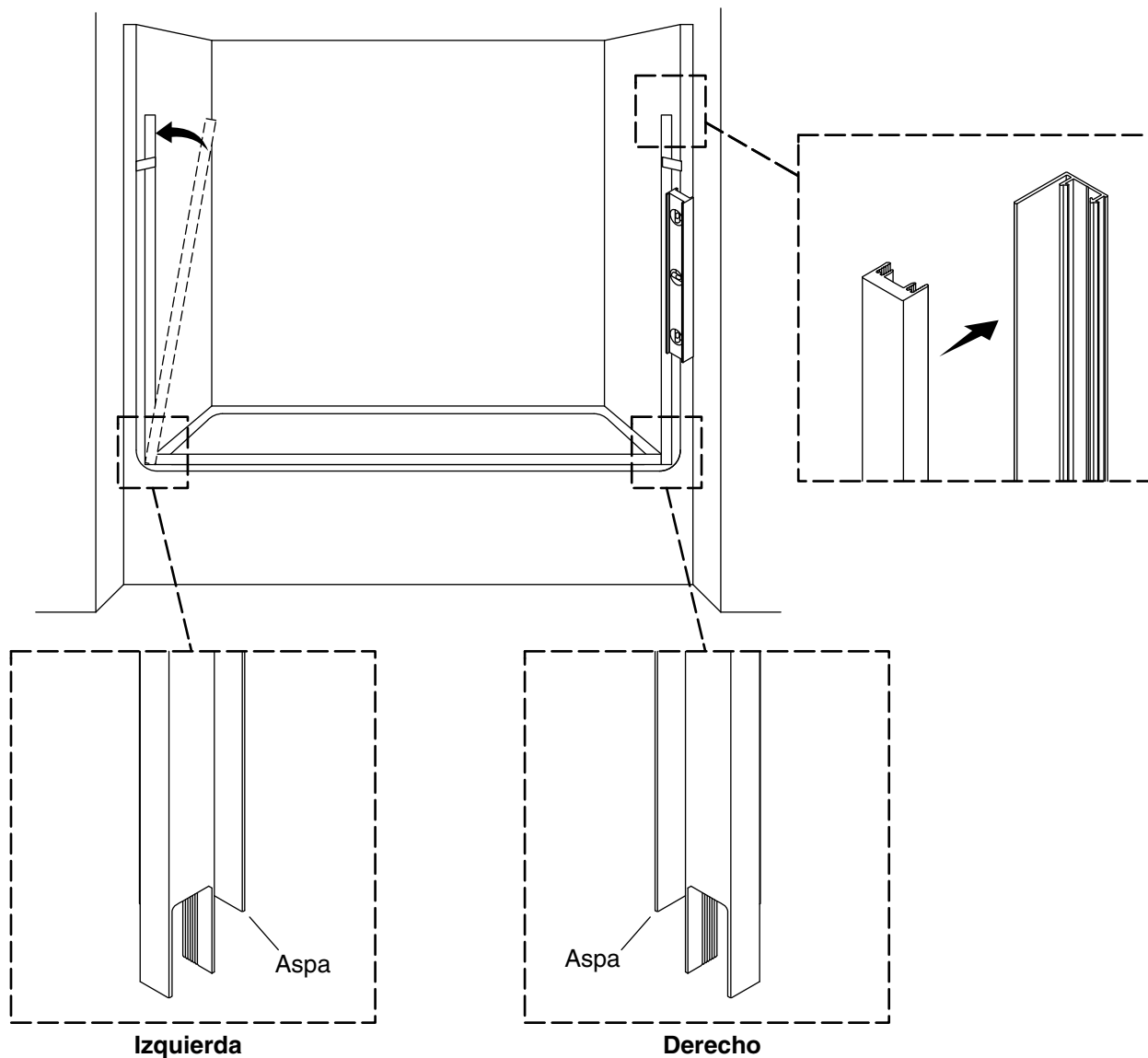
- Antes de seguir adelante, limpie por completo la base de la ducha o el reborde de la bañera.
- De ser necesario, lime los extremos del umbral para igualarlos al radio de las esquinas de la pared de la ducha.
- Coloque el ensamblaje del umbral sobre una superficie plana de la base de la ducha o del reborde de la bañera, lo más cerca posible del borde exterior.
- Alinee el umbral a la misma distancia a lo largo del reborde.
- Marque el lugar del umbral y luego retírelo.
- Retire la película del adhesivo en la parte inferior de la guía central.
- Instale el umbral en las marcas y oprima con firmeza en la guía central para que el adhesivo pegue.



## 7. Complete el umbral

- Con cinta de enmascarar fije temporalmente el umbral en su lugar hasta que las jambas murales queden instaladas.
- Oprima los toques contra las paredes.
- Con tijeras recorte cada extremo del umbral de forma que se ajuste a la muesca en el tope.



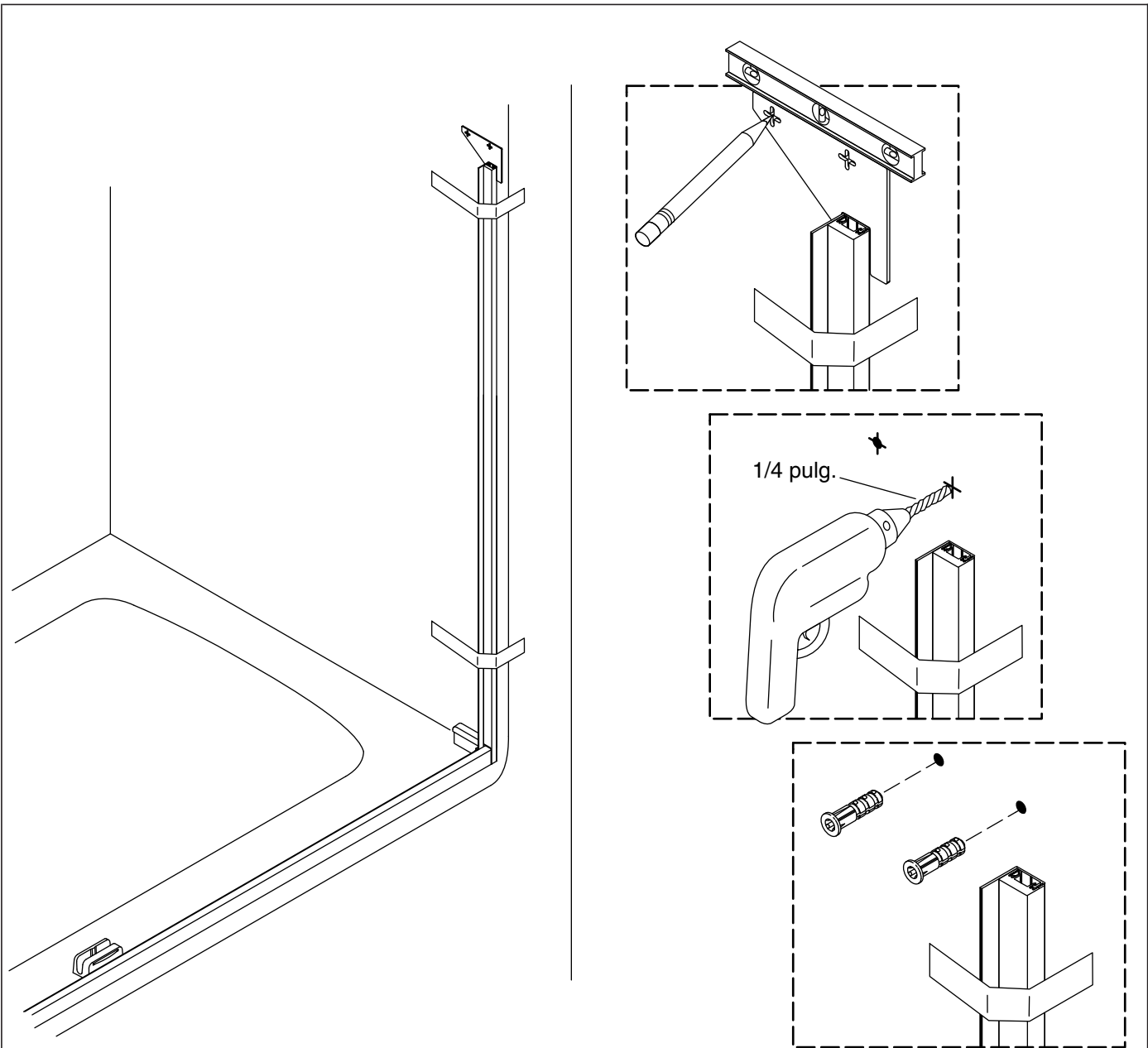


## 8. Ensamble y coloque las jambas murales

**NOTA:** La aleta flexible del sello está en el interior de las jambas murales.

**NOTA:** Las jambas murales son más largas que los sellos.

- Comenzando por la parte superior, oprima un sello contra una jamba mural, y otro contra otra, de forma que quede un ensamblaje izquierdo y uno derecho, como se muestra.
- Coloque los ensamblajes de jambas murales sobre el umbral, de forma que la aleta flexible quede en el interior de la ducha. De ser necesario, lime las esquinas del metal para igualarlas al radio de las esquinas de la pared de la ducha.
- Con un nivel coloque a plomo las jambas murales, y marque los lugares en la pared.
- Con cinta de enmascarar fije temporalmente en su lugar la parte superior de las jambas murales. En este momento no fije con el adhesivo en la parte posterior del sello.



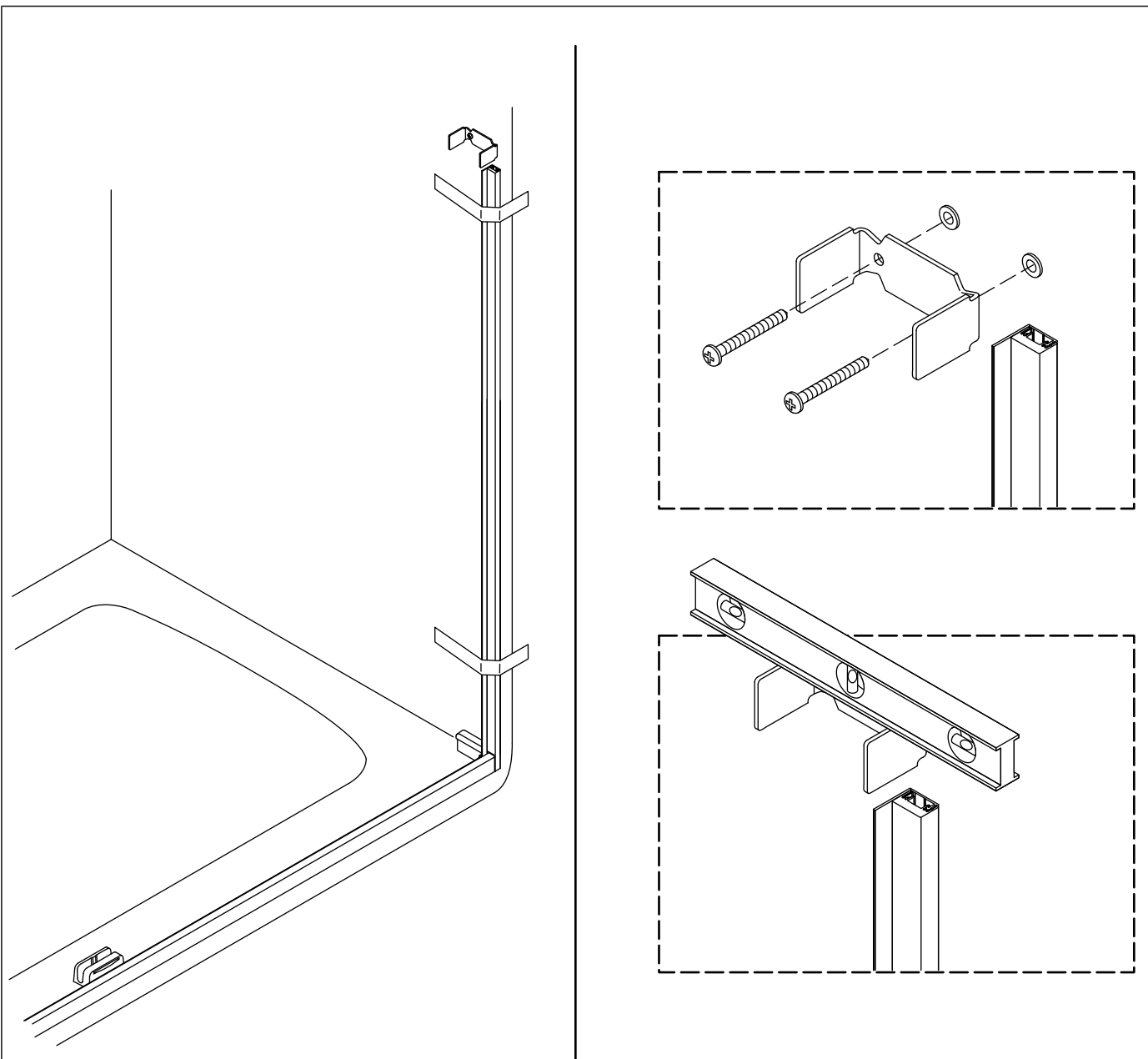
## 9. Prepare los orificios de los soportes murales

**¡IMPORTANTE!** La ubicación de los orificios para los soportes murales es crítica. Asegúrese de que los orificios estén correctamente marcados y taladrados perpendiculares a la pared.

- Asegúrese de que la parte superior de la jamba mural esté fija en su lugar con cinta de enmascarar.
- Coloque la plantilla para taladrar sobre la jamba mural, apuntando hacia dentro de la ducha, como se muestra.
- Verifique que la plantilla quede bien asentada sobre la jamba mural, plana contra la pared, y nivelada.
- Marque los lugares de los orificios.
- Retire la plantilla y taladre orificios de 1/4 pulg. perpendiculares a la pared en los lugares marcados. **Asegúrese de que el taladro no esté colocado diagonalmente al taladrar.**
- Instale los anclajes de pared que se incluyen. Asegúrese de que los anclajes queden asentados por completo contra la pared.

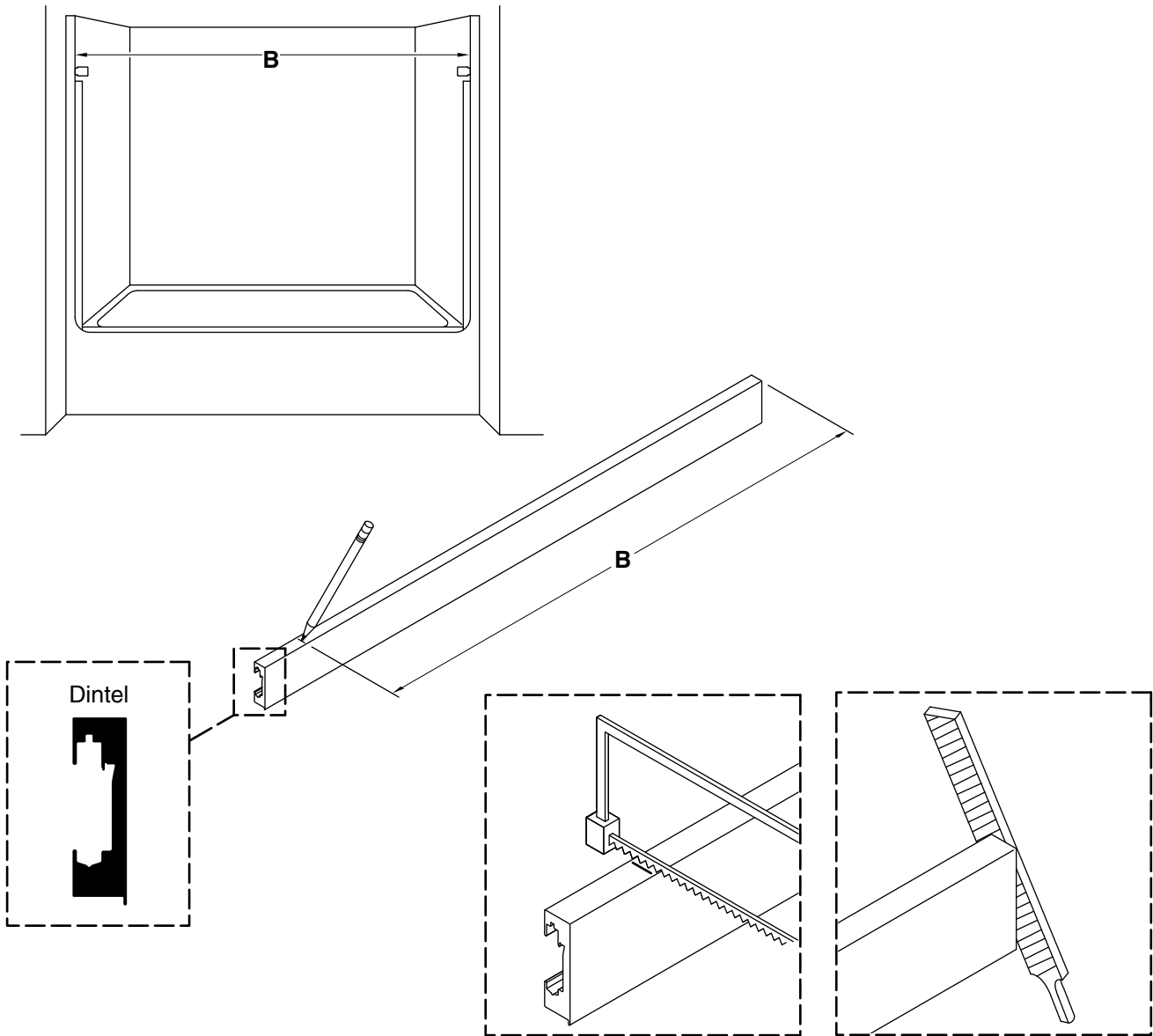
**Prepare los orificios de los soportes murales (cont.)**

- Repita este procedimiento con la segunda jamba mural.



## 10. Instale los soportes murales

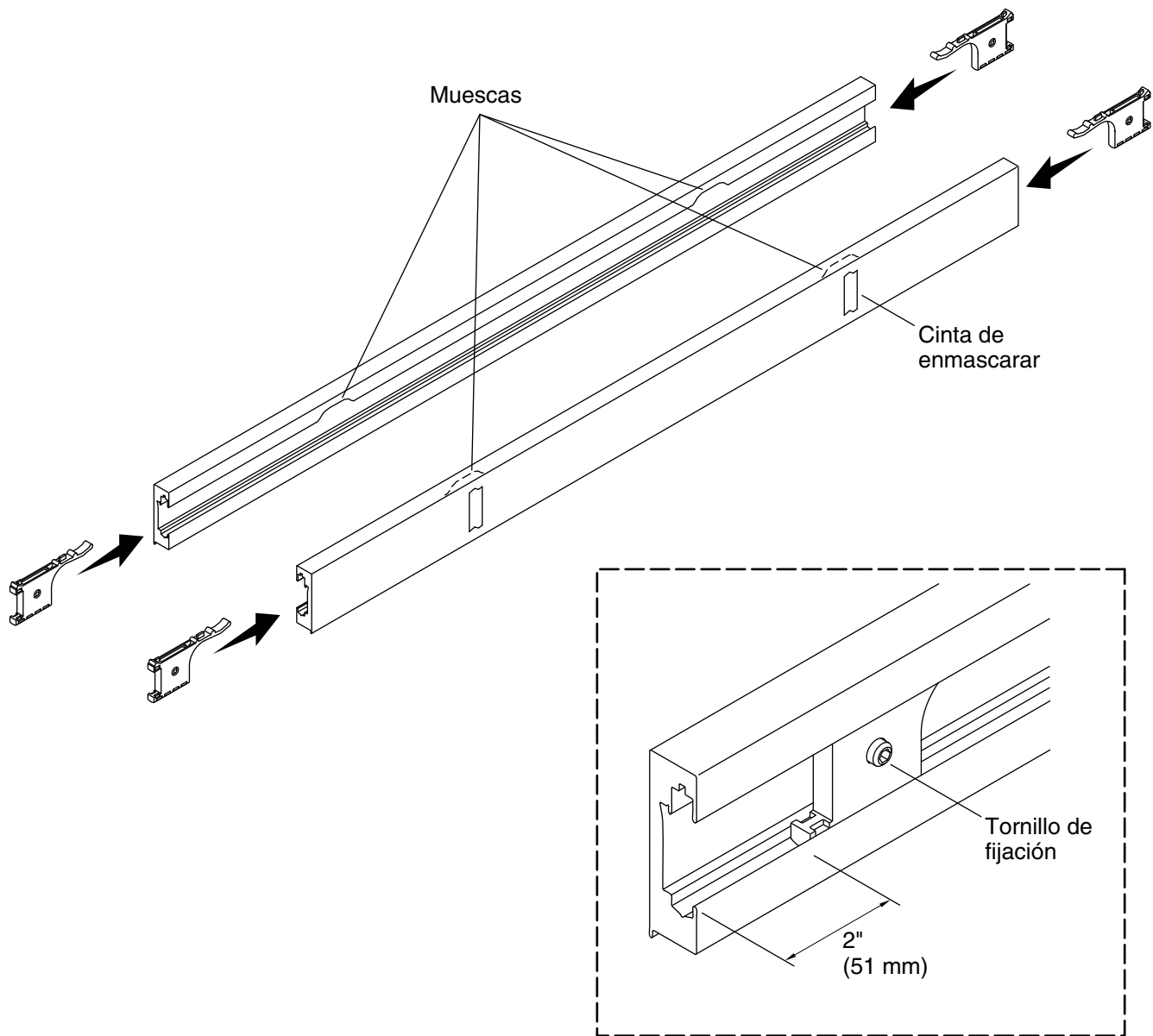
- Antes de seguir adelante, limpie por completo la pared y el área de la ducha.
- Fije cada uno de los soportes a la pared con 2 tornillos #8-18 x 1-1/2 pulg.
- Verifique que todos los soportes queden nivelados. Afloje los tornillos y ajuste la posición de los soportes, si es necesario.
- Repita este procedimiento con el segundo soporte.



## 11. Mida y recorte los dinteles

**¡IMPORTANTE!** Confirme sus medidas antes de recortar. **No recorte los dinteles demasiado cortos.**

- Mida la distancia "B" entre las paredes acabadas de la ducha, y márquela en cada uno de los dinteles.
- Con una sierra de mano, coloque la hoja de la sierra justo al interior de la línea marcada. Recorte cada uno de los dinteles justo dentro de la línea marcada.
- Lime los bordes ásperos y limpie los desperdicios de los carriles de las rueditas.

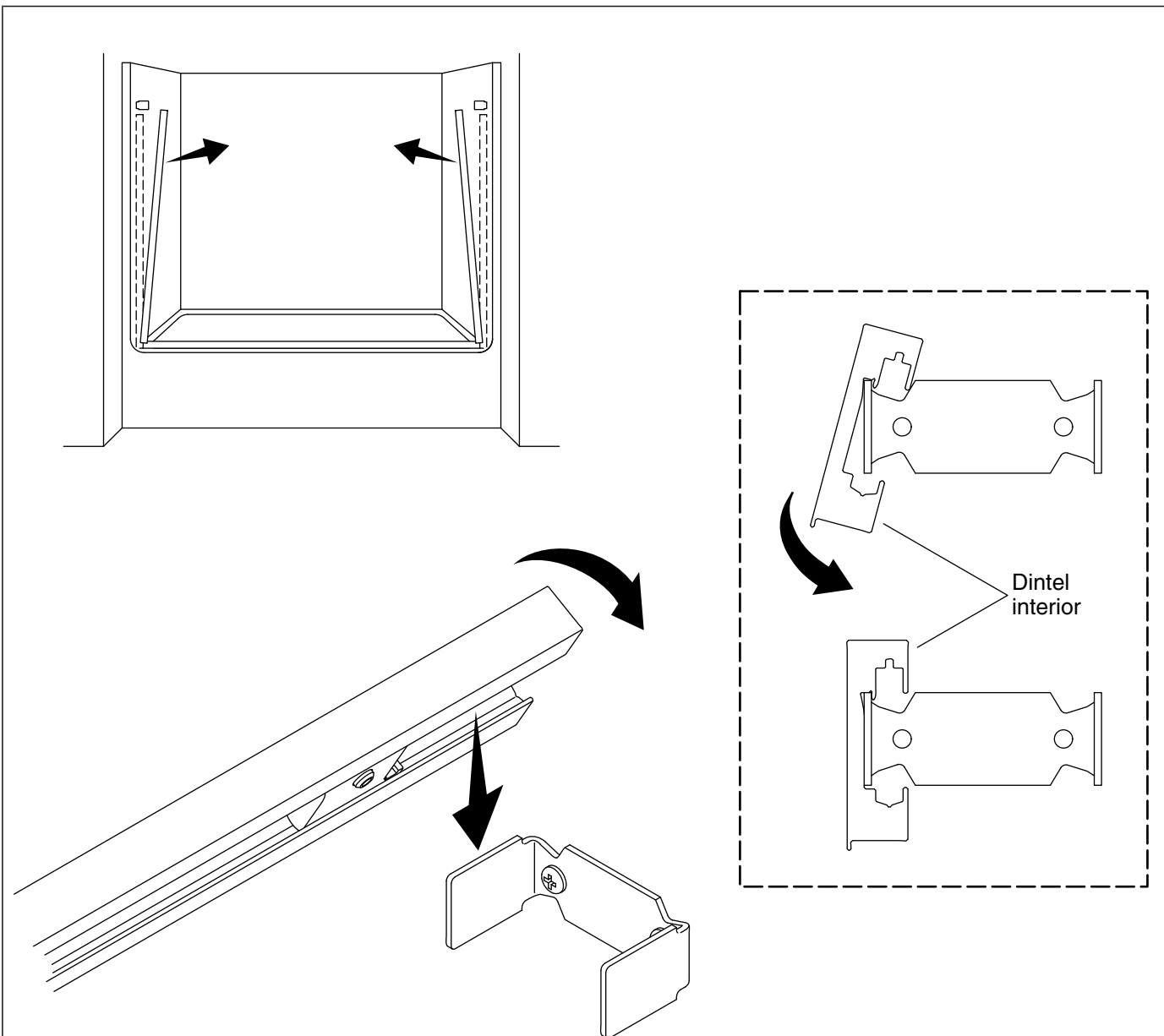


## 12. Instale los conectores a los dinteles

- Ubique las muescas a lo largo de los carriles interiores de los dinteles.
- Marque los lugares con trozos de cinta de enmascarar en la parte exterior de los dinteles. Esto le ayudará al instalar los paneles de puerta más adelante.

**NOTA:** Los dinteles interior y exterior son idénticos.

- Empuje un conector de dintel en el extremo de cada dintel, como se muestra. La cabeza del tornillo hexagonal debe quedar visible.
- Coloque cada uno de los conectores aproximadamente a 2" (51 mm) de los extremos de los dinteles, de forma que libren los soportes durante la instalación de los dinteles.



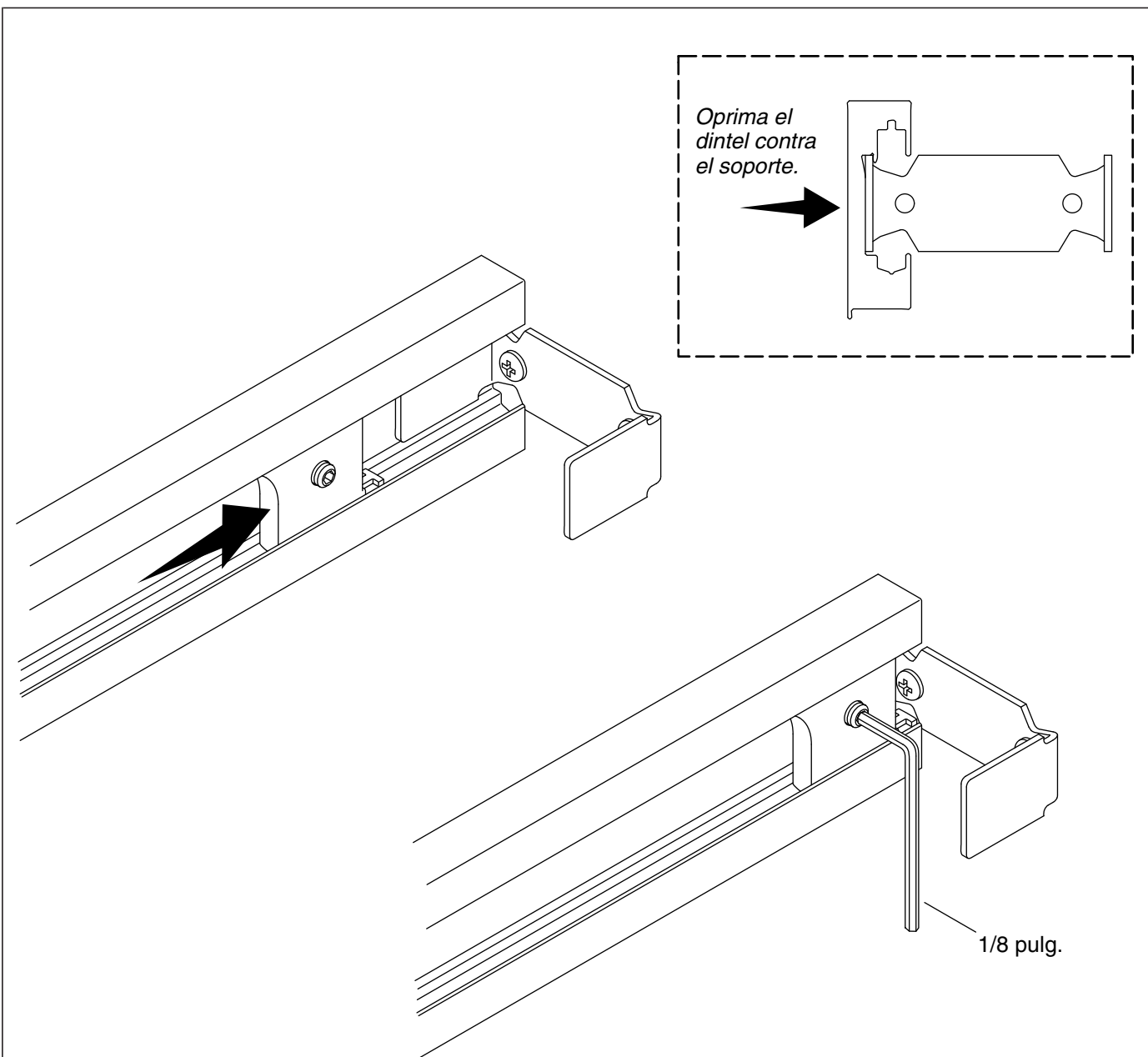
### 13. Coloque el dintel interior

**¡IMPORTANTE!** En este momento solo instale el dintel interior.

**AVISO:** Los 2 dinteles son idénticos.

- Para facilitar la instalación del dintel, retire las jambas murales que colocó temporalmente.
- Con la cara plana del dintel hacia el interior de la ducha, incline el dintel como se muestra y bájelo sobre ambos soportes al mismo tiempo.
- Gire el dintel en ambos soportes al mismo tiempo, a que quede vertical.

**NOTA:** El dintel estará ligeramente suelto. Se fijará en la siguiente sección.



#### 14. Fije el dintel interior al soporte

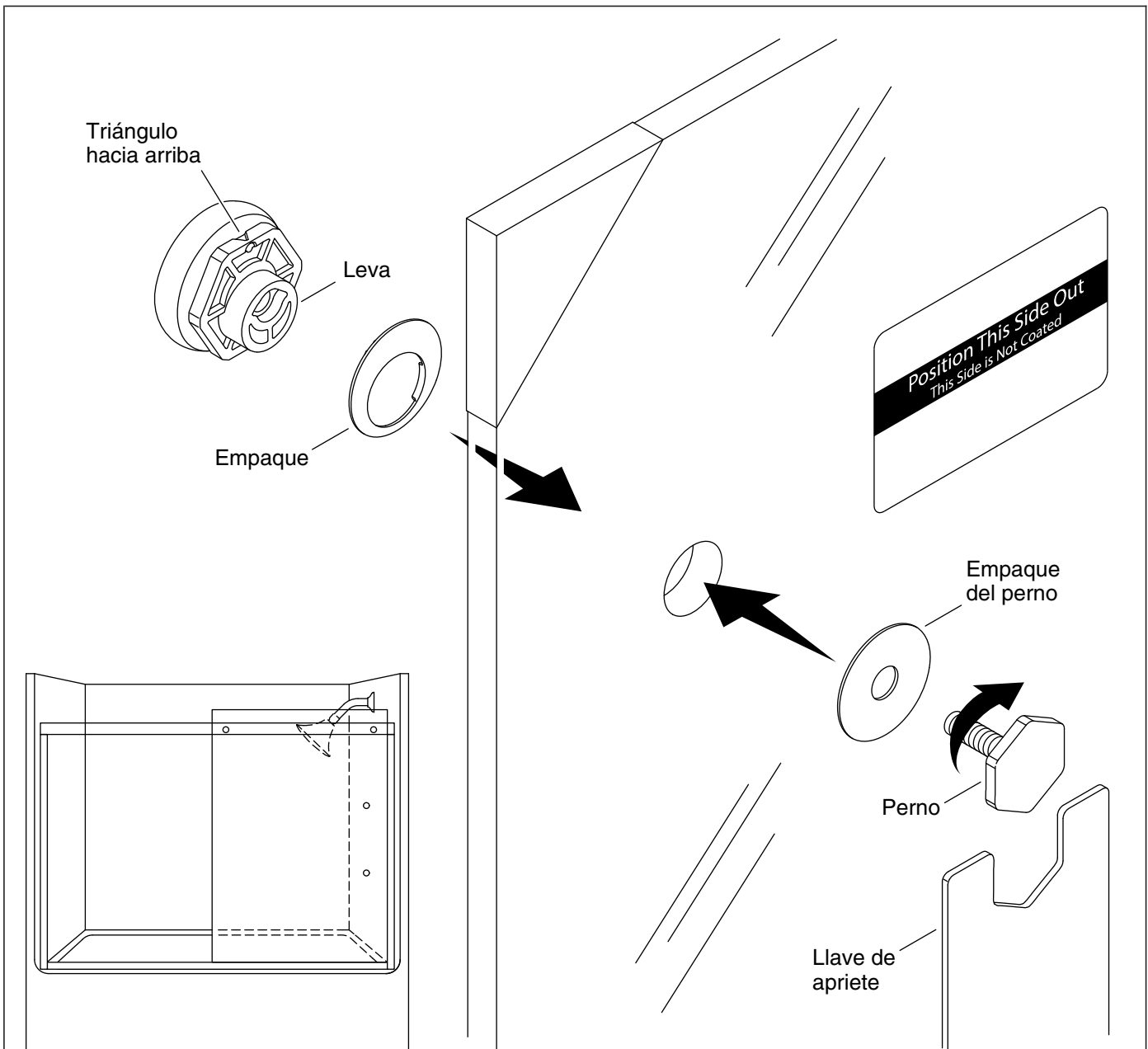
**¡IMPORTANTE!** En este paso se fija el dintel interior a los soportes, de forma que el panel de la puerta se pueda colgar.

- Oprima el dintel contra el soporte, y deslice los conectores de dintel por completo hasta la pared a cada extremo del dintel.

**NOTA:** Si el conector del dintel no se desliza sobre el soporte, es posible que el tornillo deba ser aflojado, que el dintel no esté bien instalado en el soporte, o que el soporte esté inclinado alejado de la pared. Haga los ajustes necesarios.

- Fije el dintel apretando cada uno de los tornillos de conector de dintel con una llave hexagonal de 1/8 pulg.

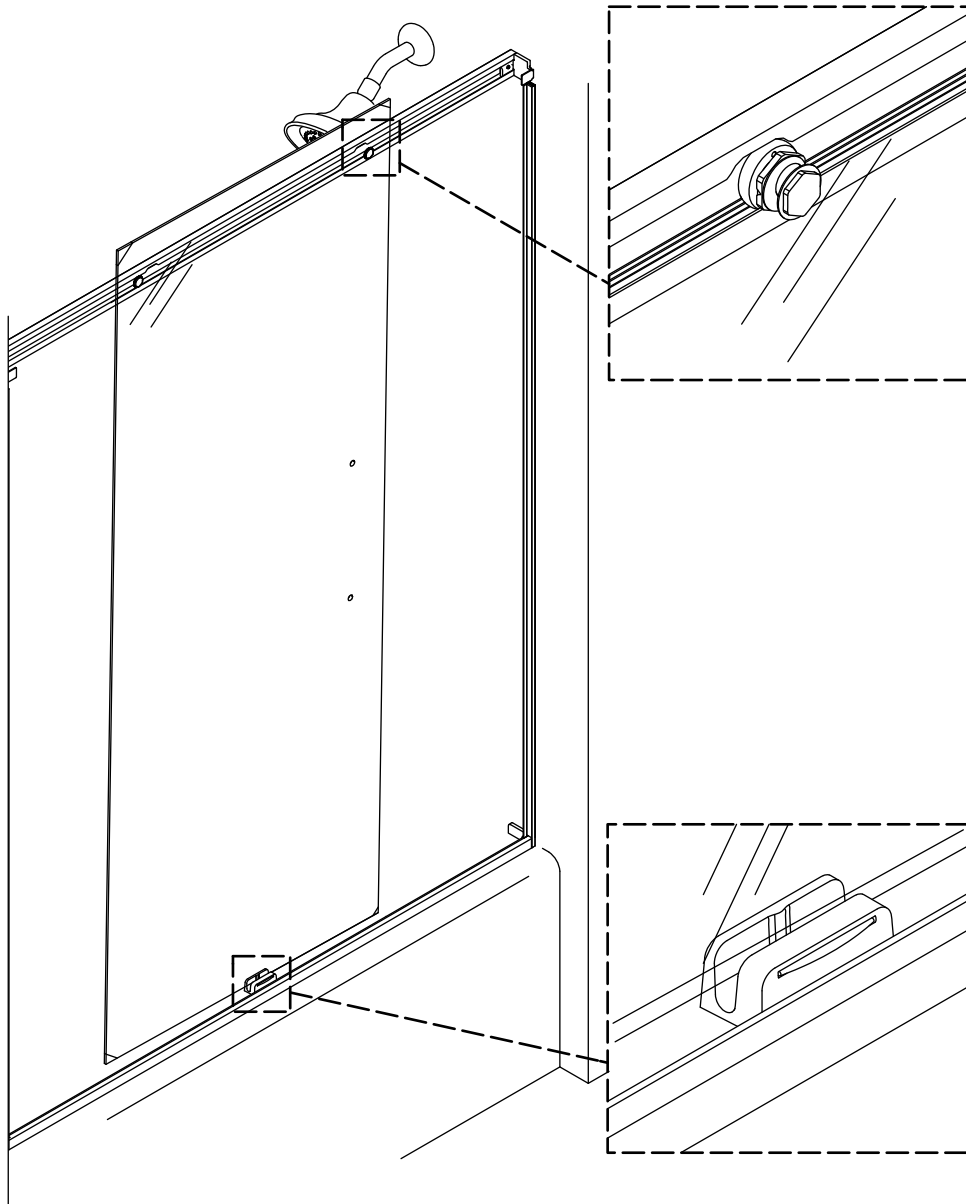




## 15. Ensamble las rueditas del panel interior

**AVISO:** Hay una figura de triángulo moldeada en una de las caras planas de las rueditas.

- Oriente el panel de la puerta de forma que los orificios para manija queden del lado de la cabeza de ducha, y que la etiqueta quede hacia el exterior de la ducha.
- Coloque la ruedita y el empaque en el lado opuesto del panel donde se encuentra la etiqueta, como se muestra, e introduzca la leva de la ruedita en el orificio.
- Oriente la ruedita de forma que el triángulo apunte hacia arriba. Esto coloca la puerta en su posición más baja, lo que facilita hacer ajustes.
- Apriete a mano con firmeza la ruedita contra el vidrio con el empaque y el perno.
- Con la llave de apriete que se adjunta, apriete con firmeza el perno al menos 3/4 de vuelta después de que quede apretado a mano. Es posible que el empaque se flexione a medida que se apriete el perno.
- Repita estos pasos con la segunda ruedita.



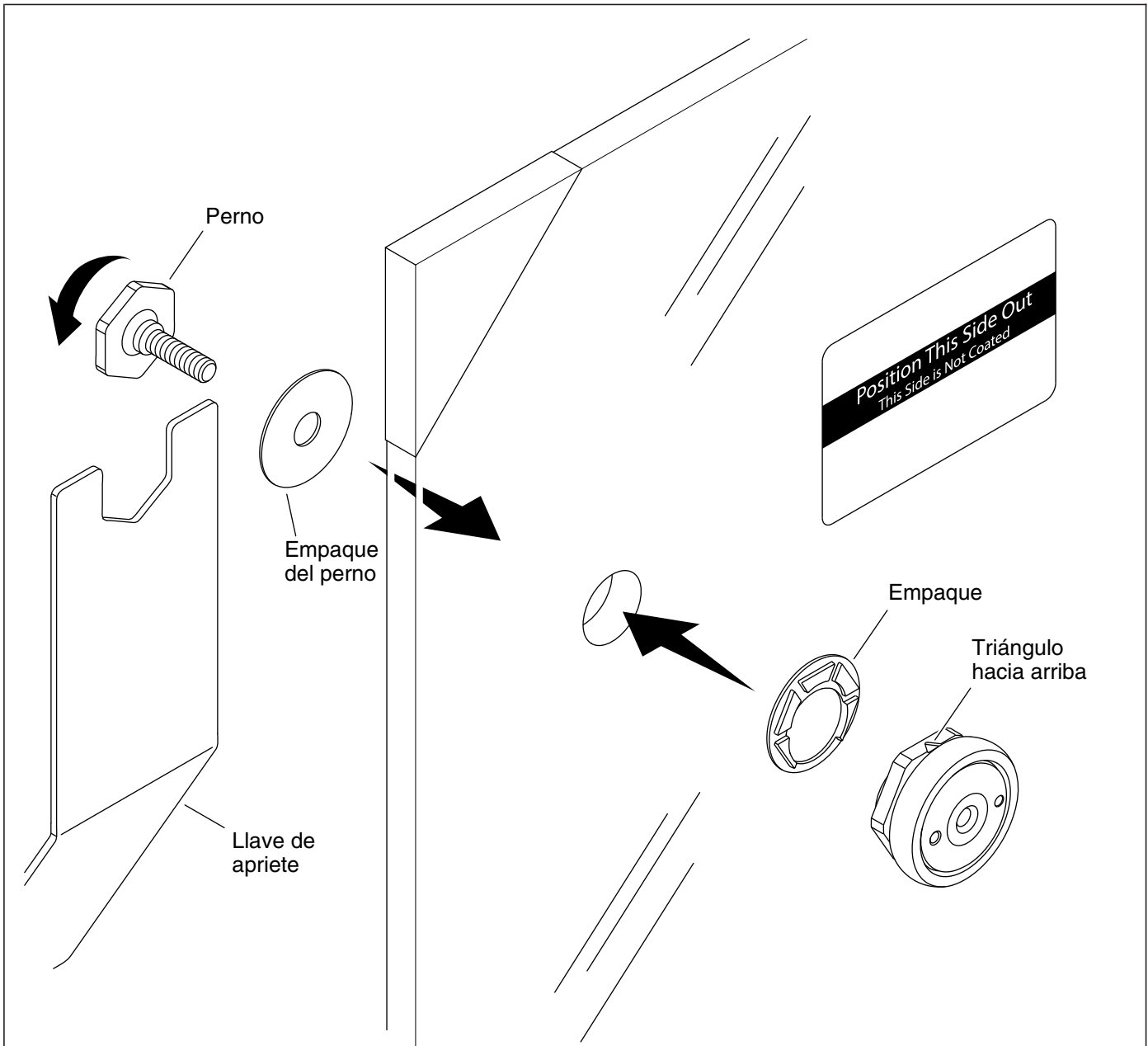
## 16. Instale el panel interior

**PRECAUCIÓN: Riesgo de daños al producto:** Una vez instalado, no mueva el panel cercano a la pared porque los topes superiores no han sido instalados en este momento.

**NOTA:** En este momento los protectores esquineros deben seguir instalados en el panel.

**NOTA:** Las rueditas quedan hacia el interior de la ducha y la etiqueta queda hacia el exterior de la ducha.

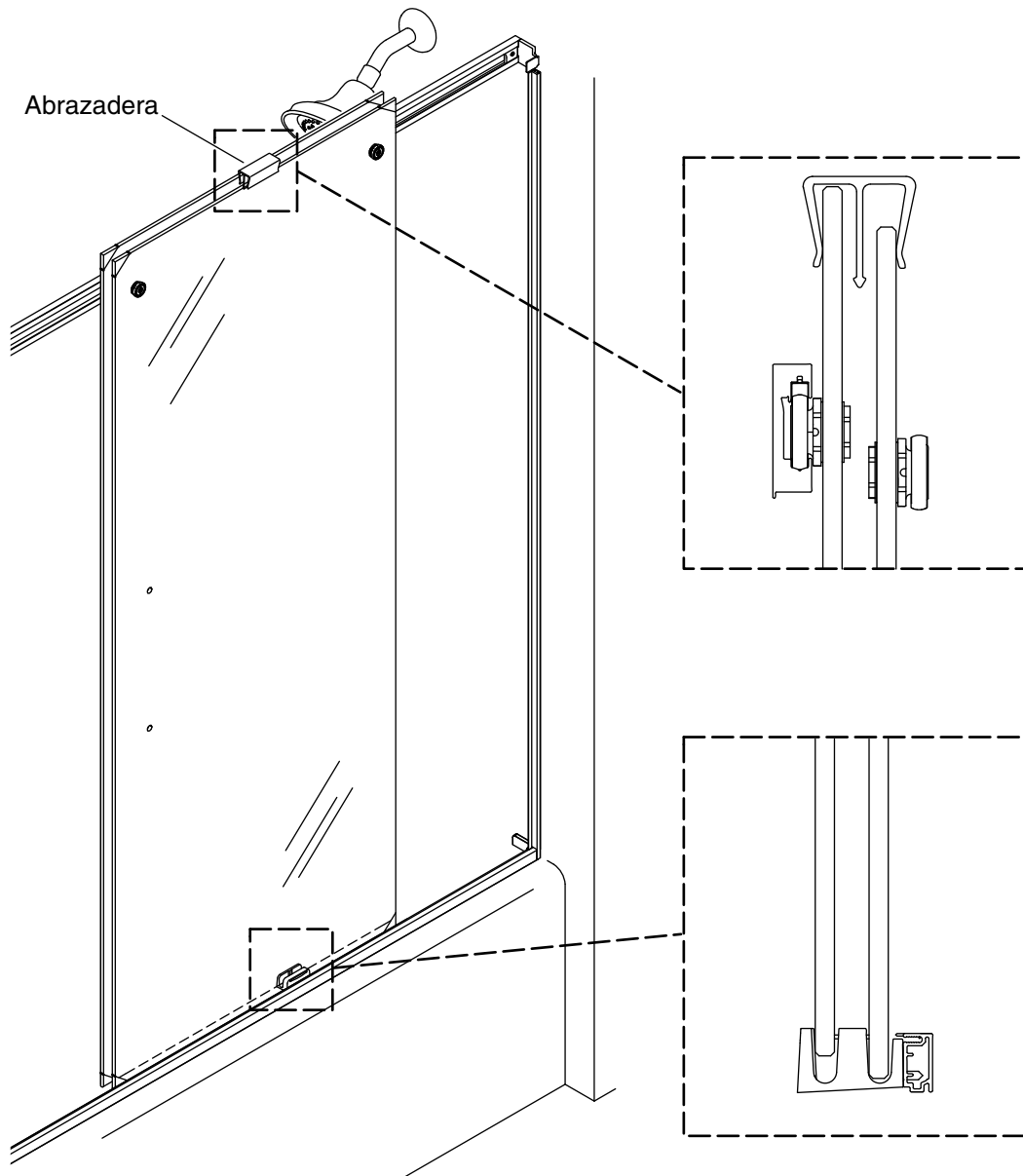
- Con ayuda, desde afuera de la ducha, levante el panel y coloque su parte inferior dentro de la canaleta interior en la guía central.
- Levante el panel justo lo necesario para colocar una ruedita en una muesca en el dintel. Luego deslice el panel de forma que la segunda ruedita quede alineada con la otra muesca en el dintel.
- Verifique que la parte inferior del panel de la puerta siga estando en la canaleta interior de la guía central.



## 17. Ensamble las rueditas del panel exterior

**AVISO:** Hay una figura de triángulo moldeada en una de las caras planas de las rueditas.

- Oriente el panel de la puerta de forma que los orificios para manija queden del lado opuesto de la cabeza de ducha, y que la etiqueta quede hacia el exterior de la ducha.
- Coloque la ruedita y el empaque en el mismo lado del panel donde se encuentra la etiqueta, como se muestra, e introduzca la leva de la ruedita en el orificio.
- Oriente la ruedita de forma que el triángulo apunte hacia arriba. Esto coloca la puerta en su posición más baja, lo que facilita hacer ajustes.
- Apriete a mano con firmeza la ruedita contra el vidrio con el empaque y el perno.
- Con la llave de apriete que se adjunta, apriete con firmeza el perno al menos 3/4 de vuelta después de que quede apretado a mano. Es posible que el empaque se flexione a medida que se apriete el perno.
- Repita estos pasos con la segunda ruedita.



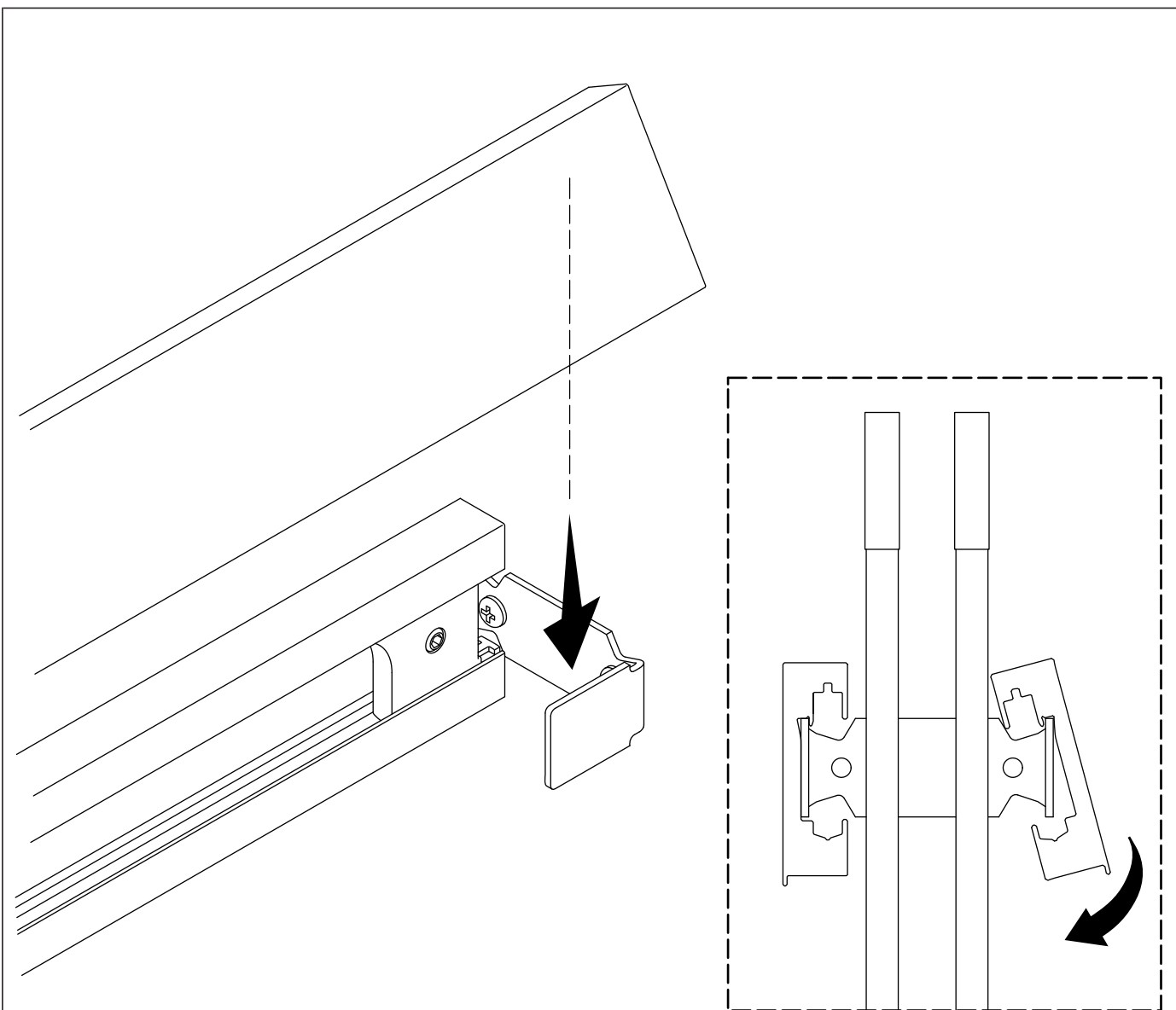
## 18. Coloque el panel exterior

**NOTA:** En este momento los protectores esquineros deben seguir instalados en el panel.

**NOTA:** Las rueditas y la etiqueta quedan hacia el exterior de la ducha.

**NOTA:** Antes de hacer este paso, coloque la abrazadera de instalación donde la pueda alcanzar, o colóquela en la parte superior del panel de vidrio.

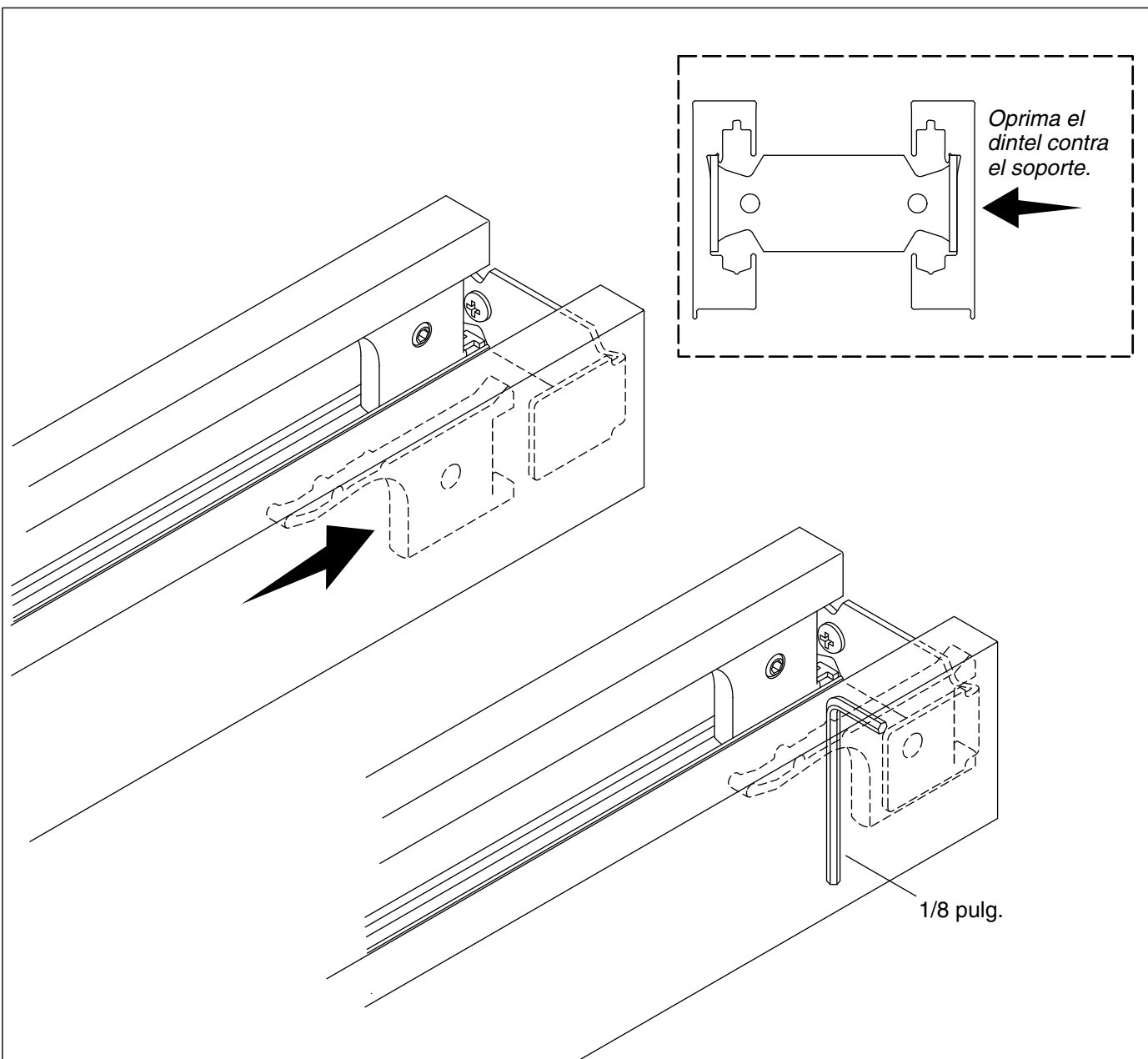
- Con ayuda, desde afuera de la ducha, levante el panel y coloque su parte inferior dentro de la canaleta exterior en la guía central.
- Incline el panel contra el panel interior y coloque la abrazadera de instalación sobre la parte superior de ambos paneles. Asegúrese de que el panel esté sostenido en su lugar antes de pasar al siguiente paso.



## 19. Instale el dintel exterior

**AVISO:** Los 2 dinteles son idénticos.

- Con la cara plana del dintel hacia el exterior de la ducha, incline el dintel como se muestra y bájelo sobre ambos soportes al mismo tiempo.
- Gire el dintel sobre ambos soportes al mismo tiempo, de forma que quede vertical y plano contra los soportes.
- El dintel quedará ligeramente suelto. Se fijará en la siguiente sección.



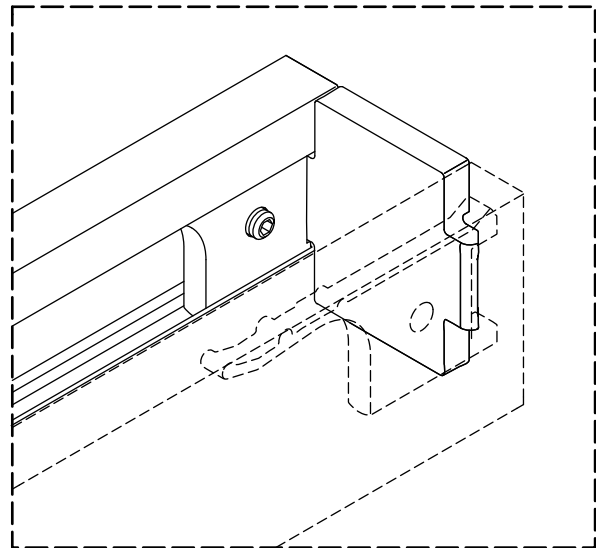
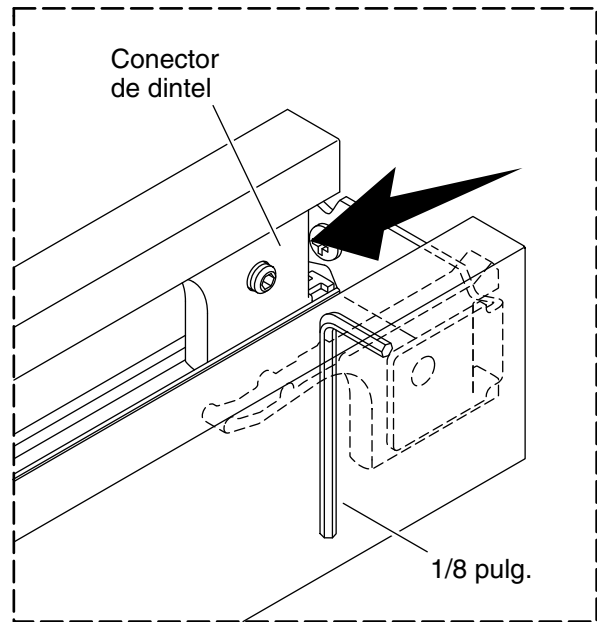
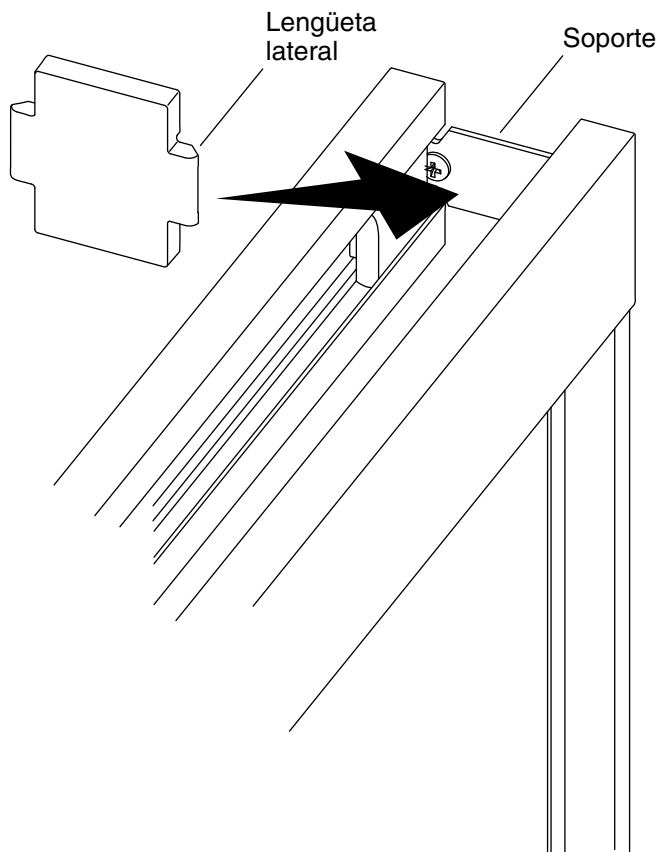
## 20. Fije el dintel exterior al soporte

**¡IMPORTANTE!** En este paso se fija el dintel a los soportes, de forma que se pueda colgar el panel de la puerta.

- Oprima el dintel contra el soporte, y deslice los conectores de dintel por completo hasta la pared a cada extremo del dintel.

**NOTA:** Si el conector del dintel no se desliza sobre el soporte, es posible que el tornillo deba ser aflojado, que el dintel no esté bien instalado en el soporte, o que el soporte esté inclinado alejado de la pared. Haga los ajustes necesarios.

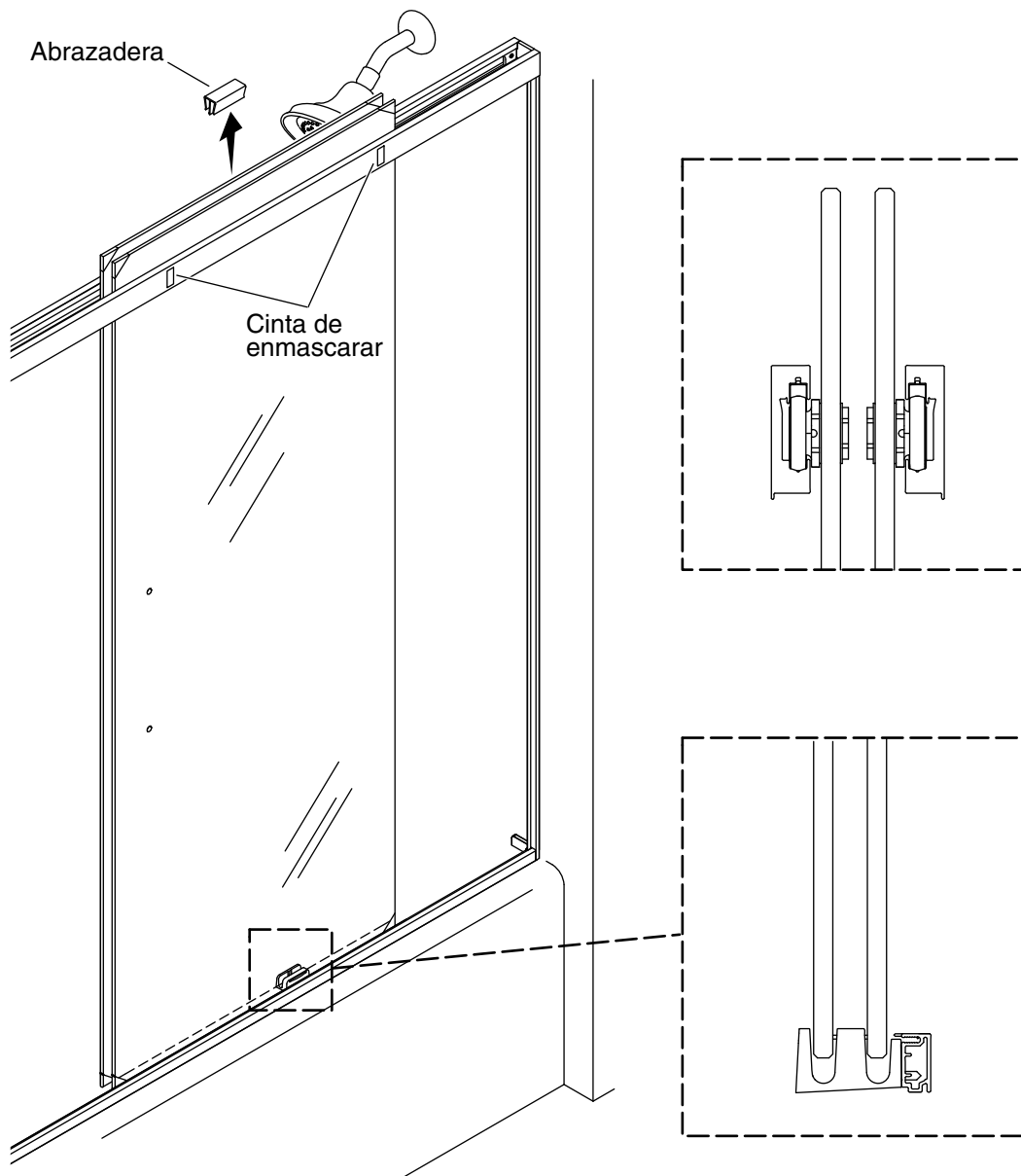
- Fije el dintel apretando cada uno de los tornillos de conector con una llave hexagonal de 1/8 pulg.



## 21. Instale los topes

**NOTA:** Para facilitar la instalación de los topes, es posible que sea necesario aflojar los conectores de dintel y alejarlos temporalmente del soporte.

- Oprima la lengüeta lateral del tope en el extremo de uno de los dinteles detrás del conector de dintel. Si la lengüeta no entra, afloje el conector de dintel con una llave hexagonal de 1/8 pulg.
- Gire el tope contra el soporte, y oprima la lengüeta opuesta en el dintel opuesto.
- Repita estos pasos con el segundo tope en el lado opuesto.
- Asegúrese de que los conectores de dintel estén apretados contra los topes. Apriete el tornillo de fijación para fijarlo en su lugar.

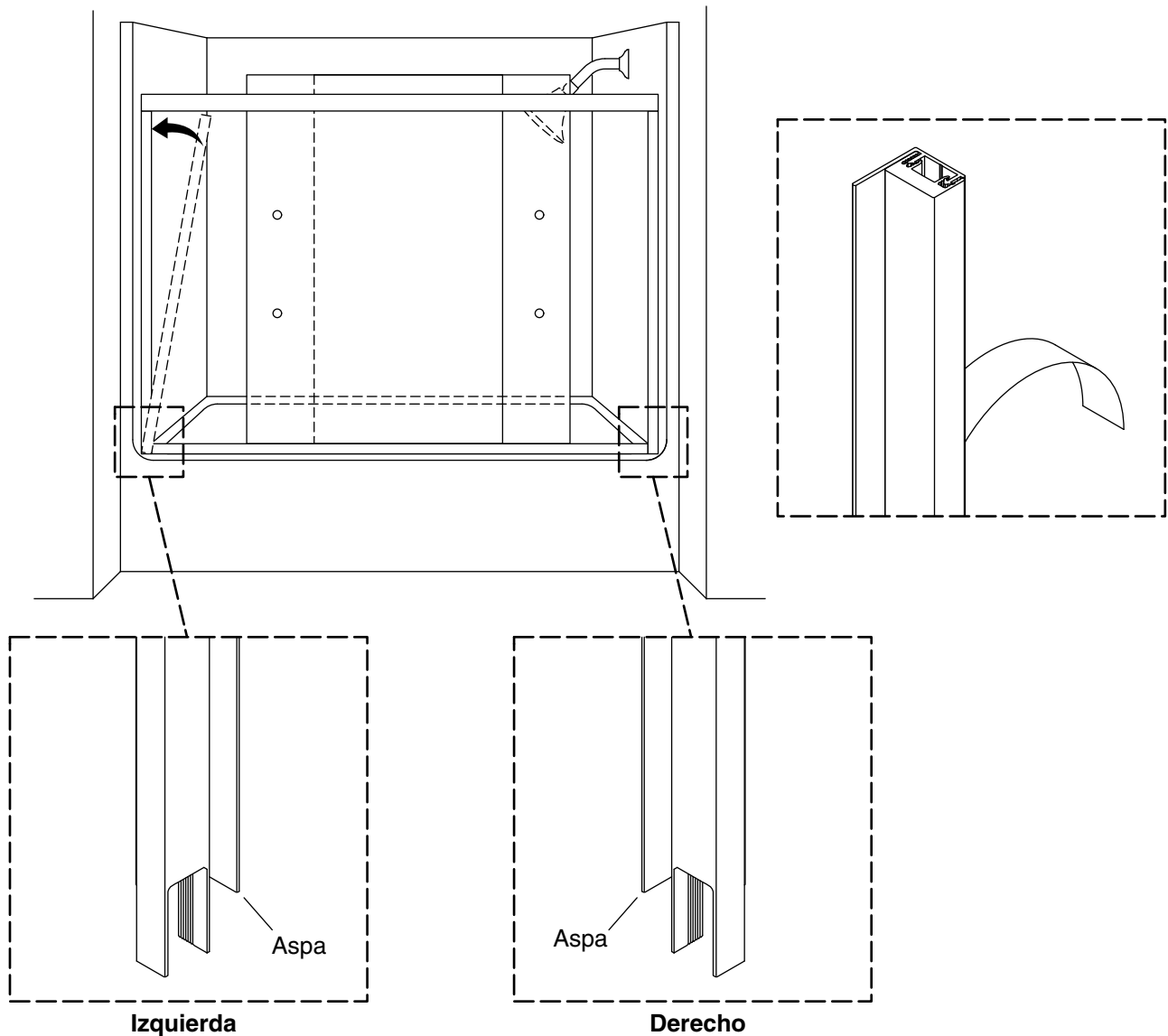


## 22. Instale el panel exterior de puerta

**NOTA:** Las rueditas y la etiqueta quedan hacia el exterior de la ducha.

- Fíjese en la cinta de enmascarar que indica los lugares de las muescas, que marcó en la sección "Mida y corte los dinteles".
- Retire la abrazadera de la parte superior de los paneles.
- Con ayuda, desde el exterior de la ducha, levante el panel exterior, alinee una ruedita con la muesca en el dintel exterior, y coloque la ruedita en el carril para rueditas.
- Levante el panel justo lo necesario para colocar la ruedita en una muesca en el dintel. Luego deslice el panel de forma que la segunda ruedita quede alineada con la otra muesca en el dintel.
- Verifique que la parte inferior del panel de puerta siga estando en la canaleta de la guía central.
- Retire los protectores esquineros de los paneles.
- Asegúrese de que ambos paneles se muevan fácilmente de izquierda a derecha.

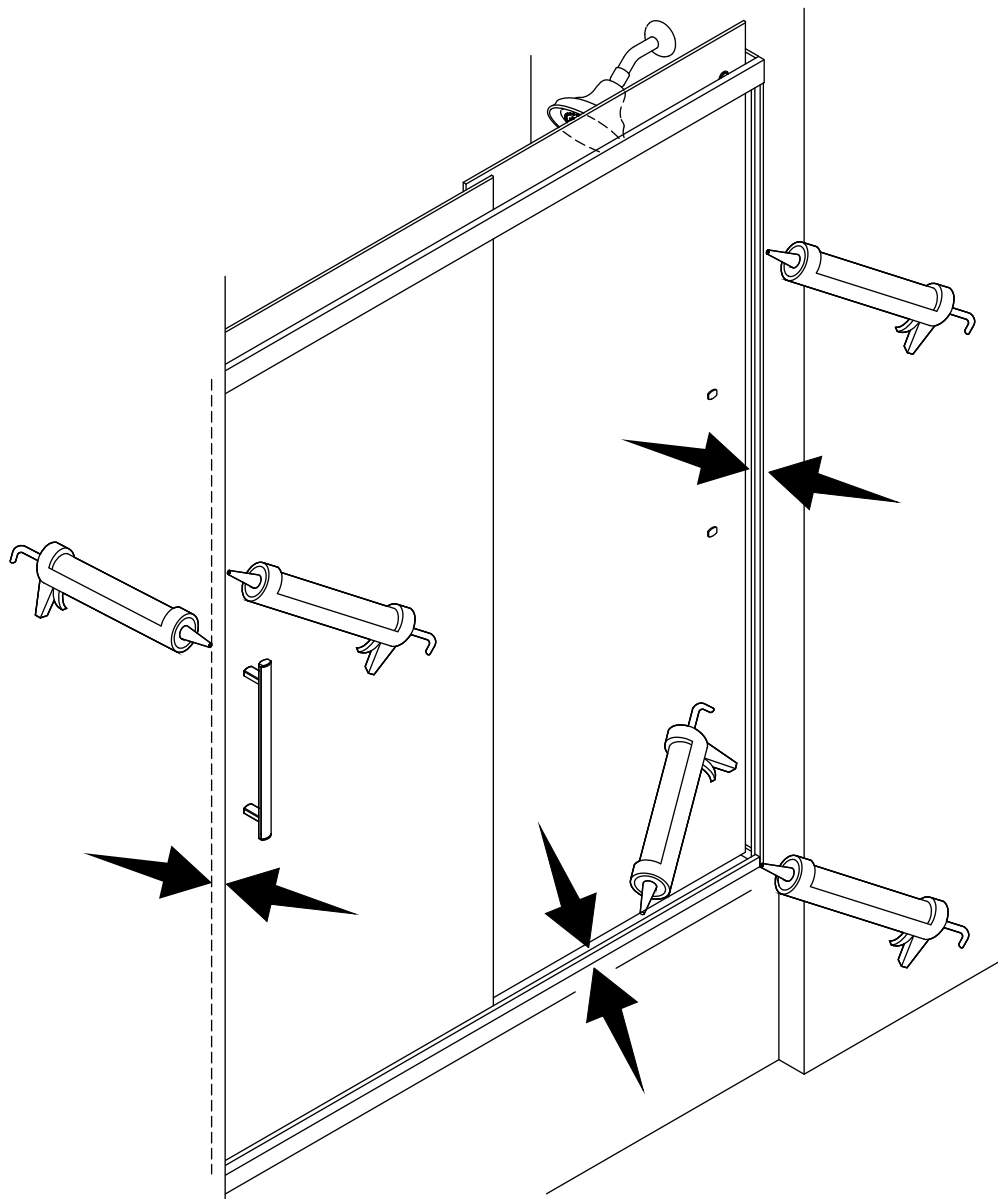




## 23. Instale las jambas murales

**NOTA:** Las aletas en las jambas murales deben quedar hacia el interior de la ducha.

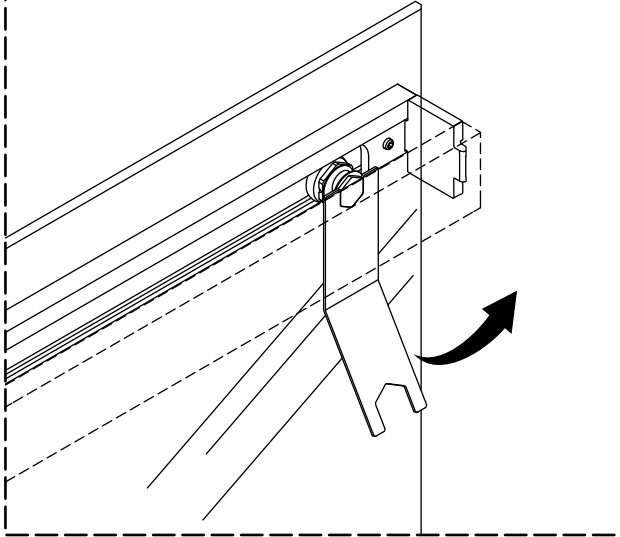
- Antes de seguir adelante, limpie bien las paredes de la ducha detrás de las jambas murales con los paños humedecidos en alcohol, que se incluyen.
- Retire la película del adhesivo en la parte posterior de la jamba mural.
- Con cuidado coloque la parte inferior de la jamba mural alineada sobre el umbral, y luego inclínela hacia la pared. La parte superior de la jamba mural debe quedar alineada con el dintel.
- Oprima con firmeza para pegar el adhesivo a la pared.
- Repita este procedimiento con la segunda jamba mural.



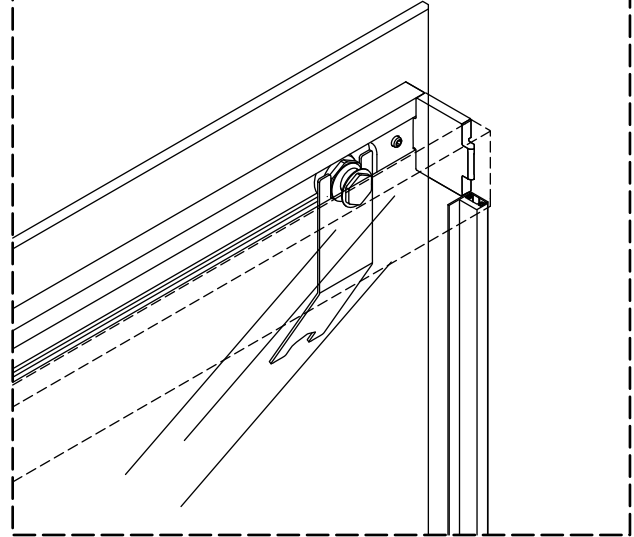
## 24. Selle la puerta de ducha

- Instale las manijas a los paneles de vidrio según las instrucciones incluidas con las manijas.
- Aplique sellador 100 % de silicona en las áreas especificadas a continuación:
  - A lo largo de las jambas murales dentro y fuera de la ducha y bañera.
  - A lo largo del borde interior y exterior del umbral.
  - Alrededor de la guía central.
  - Alrededor de los topes izquierdo y derecho.

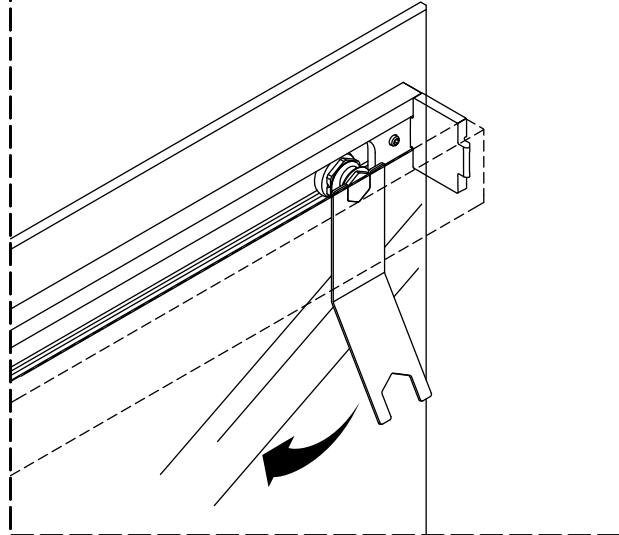
Afloje el perno



Ajustar la leva la ruedita



Apriete el perno



## Ajuste y mantenimiento de paneles

**AVISO:** Es posible que sea necesario ajustar los paneles para asegurar que hagan contacto con los topes superiores e inferiores en la posición cerrada adecuada. El panel interior debe cerrar del lado de la cabeza de ducha, y el panel exterior debe cerrar en el lado opuesto.

- Para ajustar los paneles, afloje el perno de la ruedita con la llave de apriete que se adjunta. **¡No afloje demasiado!**
- Para ajustar la alineación de cada uno de los extremos del panel, haga girar la ruedita con la llave de apriete que se adjunta.
- Continúe hasta que la puerta funcione bien, que quede alineada por parejo con las paredes de la ducha, y que los paneles de puerta hagan contacto con los topes superior e inferior al mismo tiempo.
- Cuando haya terminado, apriete **con firmeza** los 4 pernos de las rueditas al menos 3/4 de vuelta después de apretar a mano.

## Ajuste y mantenimiento de paneles (cont.)

### Mantenimiento

- Revise anualmente que las rueditas estén apretadas.
- Retenga la llave de apriete que se incluye para ajustes y aprietes futuros.

### Cuidado y limpieza

Para obtener los mejores resultados, tenga presente lo siguiente al limpiar su producto KOHLER:

- Siempre pruebe la solución de limpieza en un área oculta antes de aplicarla a toda la superficie.
- Limpie las superficies con un paño, y enjuague completa e inmediatamente con agua después de haber aplicado algún limpiador. Enjuague y seque las superficies cercanas donde hayan caído salpicaduras.
- No deje mucho tiempo los limpiadores en las superficies.
- Utilice una esponja humedecida, o un paño suave y húmedo. Para limpiar las superficies nunca utilice materiales abrasivos, como cepillos o estropajos.
- La técnica de limpieza ideal es enjuagar muy bien y secar el producto de la superficie después de cada uso.

Para obtener información detallada de limpieza y de productos a considerar, visite [www.kohler.com/clean](http://www.kohler.com/clean). Para solicitar información sobre cuidado y limpieza, llame al 1-800-456-4537.

### Resolución de problemas

Esta guía de resolución de problemas está diseñada únicamente como ayuda general. Si tiene preguntas con respecto al servicio o a la instalación, llame al 1-800-4-KOHLER.

#### Resolución de problemas

Síntomas	Causa probable	Acción recomendada
1. La puerta hace ruido cuando se abre o se cierra.	<p>A. Es posible que el soporte esté instalado muy desnivelado.</p> <p>B. Los paneles de puerta están demasiado bajos, raspan contra la base de la guía central o contra la base de la ducha o el reborde de la bañera.</p> <p>C. Las rueditas están sueltas.</p> <p>D. Las rueditas se han desgastado y hacen ruido.</p>	<p>A. Retire los paneles y los dinteles, y nivele el soporte. Si no es posible nivelar el soporte, llame a servicio al cliente.</p> <p>B. Ajuste las rueditas para elevar los paneles de puerta. Consulte la sección "Ajuste los paneles de puerta".</p> <p>C. Apriete los pernos de las rueditas con la llave de apriete que se incluye.</p> <p>D. Cambie las rueditas.</p>
2. Es difícil mover la puerta o no abre.	<p>A. Los paneles de puerta están demasiado bajos, raspan contra la base de la guía central o contra la base de la ducha o el reborde de la bañera.</p> <p>B. El sello del umbral no está bien asentado, lo que ocasiona que raspe el panel de la puerta exterior.</p> <p>C. Los umbrales no están fijos a los soportes.</p> <p>D. Las rueditas están sueltas.</p>	<p>A. Ajuste las rueditas para elevar los paneles de puerta. Consulte la sección "Ajuste los paneles de puerta".</p> <p>B. Empuje el sello a que entre por completo en el umbral.</p> <p>C. Verifique que los conectores de dintel estén colocados sobre los soportes y fíjelos en su lugar con los tornillos de fijación.</p> <p>D. Apriete los pernos de las rueditas con la llave de apriete que se incluye.</p>

## Resolución de problemas (cont.)

### Resolución de problemas

Síntomas	Causa probable	Acción recomendada
3. Los paneles de puerta están sueltos y se columpian hacia dentro y hacia fuera de la ducha.	<p><b>A.</b> La guía central no está instalada.</p> <p><b>B.</b> La guía central no está instalada en el lugar correcto.</p> <p><b>C.</b> Los paneles de puerta no están bien instalados en la guía central.</p> <p><b>D.</b> Los paneles de puerta están demasiado arriba.</p>	<p><b>A.</b> Instale la guía central de acuerdo con las instrucciones.</p> <p><b>B.</b> Instale la guía central en el centro del umbral.</p> <p><b>C.</b> Los paneles de vidrio deben estar colocados en las canaletas de la guía central.</p> <p><b>D.</b> Ajuste las rueditas para bajar los paneles. Consulte la sección "Ajuste los paneles de puerta".</p>
4. La guía central está suelta.	<p><b>A.</b> La guía central no está instalada sobre el clip.</p> <p><b>B.</b> El clip de la guía central no está instalado.</p> <p><b>C.</b> El tornillo que conecta el clip de la guía central está suelto.</p> <p><b>D.</b> No se quitó la película del adhesivo en el fondo de la guía central.</p>	<p><b>A.</b> Retire el dintel exterior y ambos paneles de puerta. Vuelva a instalar la guía central sobre el clip. Vuelva a instalar los paneles y el umbral exterior.</p> <p><b>B.</b> Retire el dintel exterior y ambos paneles de puerta. Instale el clip, y luego instale la guía central sobre el clip. Vuelva a instalar los paneles y el umbral exterior.</p> <p><b>C.</b> Retire el dintel exterior y ambos paneles de puerta. Apriete el tornillo del clip. Si el tornillo no aprieta, taladre un nuevo orificio cerca del orificio original. Instale la guía central sobre el clip. Vuelva a instalar los paneles y el umbral exterior.</p> <p><b>D.</b> Retire el dintel exterior y ambos paneles de puerta. Levante la guía central del clip, retire la película en la cinta y vuelva a instalar la guía central sobre el clip. Vuelva a instalar los paneles y el umbral exterior.</p>
5. Se fuga agua.	<p><b>A.</b> Se fuga agua por debajo del umbral.</p> <p><b>B.</b> Se fuga agua por debajo de un panel de puerta.</p> <p><b>C.</b> Se fuga agua por debajo de un panel de puerta.</p> <p><b>D.</b> Se fuga agua entre los paneles de puerta.</p>	<p><b>A.</b> Aplique sellador 100 % de silicona al borde exterior del umbral. Antes de usar la ducha, siga las instrucciones del fabricante del sellador.</p> <p><b>B.</b> Ajuste las rueditas para bajar los paneles de puerta y acercarlos al reborde de la ducha. Consulte la sección "Ajuste los paneles de puerta".</p> <p><b>C.</b> Revise la altura del dintel. Revise la altura del dintel. El dintel debe quedar asentado sobre las jambas murales.</p> <p><b>D.</b> Al tomar una ducha, asegúrese de que el panel interior quede más cerca de la cabeza de ducha.</p>

## Resolución de problemas (cont.)

### Resolución de problemas

Síntomas	Causa probable	Acción recomendada
	<p>E. Se fuga agua alrededor de la jamba mural.</p> <p>F. Se fuga agua por la parte inferior de la jamba mural y sobre el umbral.</p>	<p>E. Ajuste el panel de puerta de forma que el panel haga contacto con los topes superior e inferior. Trate de que no caiga agua directamente sobre los paneles de puerta.</p> <p>F. Si hay una separación entre la parte inferior del sello de la jamba mural y la parte superior del umbral, aplique silicona a esta área.</p>
6. No se puede instalar la jamba mural bajo el dintel.	A. El soporte está instalado demasiado bajo.	A. Ajuste el soporte más alto aflojando los tornillos y empujando el soporte hacia arriba.



USA/Canada: 1-800-4KOHLER

México: 001-800-456-4537

[kohler.com](http://kohler.com)

THE BOLD LOOK  
OF **KOHLER**®

©2019 Kohler Co.

1380408-2-B