

Features

- 36" minimum base cabinet width.
- 5-1/2" (140 mm) deep double-equal bowls.
- No faucet holes.
- Rear drain increases workspace in the sink and storage space underneath.
- SilentShield® sound-absorption technology offers quieter performance.
- Strainer not included.

Material

- Handcrafted from 18-gauge stainless steel.

Installation

- Undermount.

Recommended Products/Accessories

K-8801 Sink Strainer

K-8799 Sink Strainer

K-6641 Stainless steel sink rack (Qty 2)

Optional Products/Accessories

K-9000 P-Trap

Included Components

Product consists of:

91915 Hardware Kit



ADA

Codes/Standards

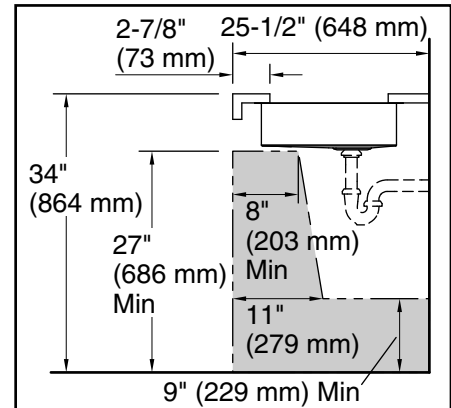
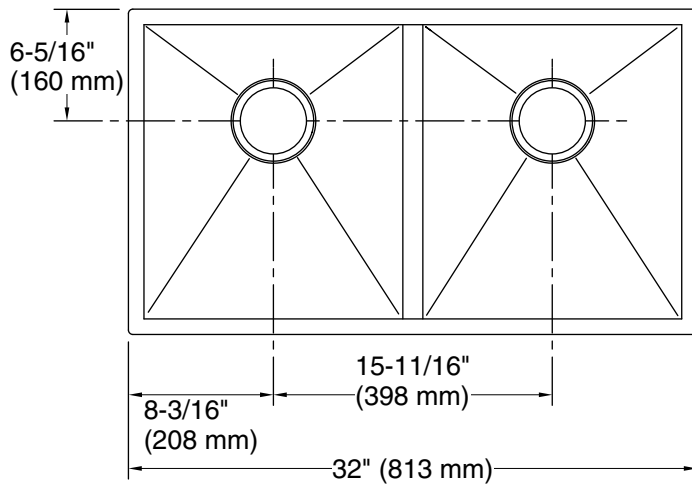
ASME A112.19.3/CSA B45.4

ADA

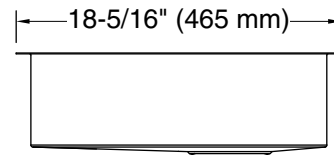
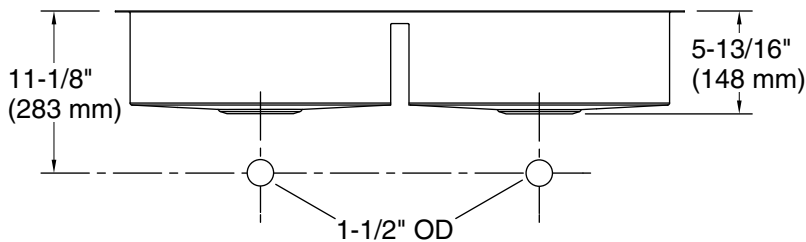
ICC/ANSI A117.1

Lifetime Limited Warranty for KOHLER® Stainless Steel Sinks

See website for detailed warranty information.



Recommended ADA Installation



Technical Information

All product dimensions are nominal.

Bowl configuration: Double equal

Installation: Undermount

Min. base cabinet width: 36" (914 mm)

Bowl area (Left):
Length: 14-9/16" (370 mm)
Width: 16-9/16" (420 mm)
Bowl depth: 5-1/2" (140 mm)
Water depth: 5-1/2" (140 mm)

Bowl area (Right):
Length: 14-9/16" (370 mm)
Width: 16-9/16" (420 mm)
Bowl depth: 5-1/2" (140 mm)

Drain hole: 3-3/4" (94 mm)

Template: Undermount, 1207216-7, required, included

Notes

Install this product according to the installation instructions.

ADA compliant when installed to the specific requirements of these regulations.