



Anglesey™ Comfort Height®

Comfort Height® High Efficiency Bowl

K-4352

Features

- Vitreous china.
- Elongated bowl.
- Comfort Height®.
- 1-1/2" top spud.
- Less seat and supply.
- 4" (102 mm) rough-in.
- 2-1/8" (54 mm) glazed trapway.
- 1.28 gpf (4.8 lpf) or 1.6 gpf (6 lpf) depending on flushometer specified.
- Floor-mount rear outlet flushometer bowl.
- 31-1/2" (800 mm) x 14-7/8" (378 mm) x 17" (432 mm).

Included Components

Additional Components:

- Bolt cap accessory pack
- Floor screws and bolt caps
- Spud



ADA	CSA B651	OBC
-----	----------	-----

Codes/Standards

- ASME A112.19.2/CSA B45.1
- DOE - Energy Policy Act 1992
- EPA WaterSense®
- ADA
- ICC/ANSI A117.1
- CSA B651
- OBC

KOHLER® One-Year Limited Warranty

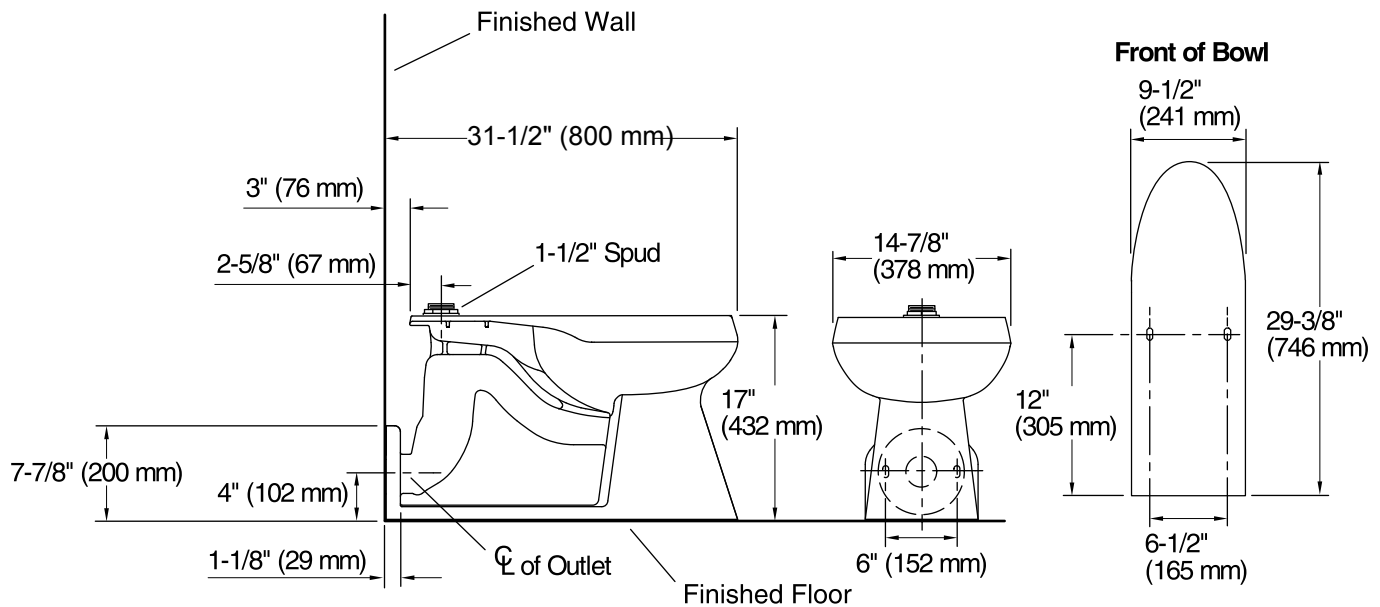
See website for detailed warranty information.

Available Colors/Finishes

Color tiles intended for reference only.

Color	Code	Description
-------	------	-------------

	0	White
--	---	-------



Technical Information

All product dimensions are nominal.

Toilet type:	Flushometer, Floor-mount
Waste Outlet:	Wall
Bowl shape:	Elongated
Flush type:	Siphon jet
Spud size:	1-1/2", Inlet, Top
Trap passageway:	2-1/8" (54 mm)
Water Consumption	
Reduced:	1.28 gpf (4.8 lpf)
Water surface size:	12" x 10" (305 mm x 254 mm)
Rim to water surface:	5-7/8" (149 mm)
Rough-in:	4" (102 mm)
Seat-mounting holes:	5-1/2" (140 mm)

Notes

Install this product according to the installation instructions.

For back-to-back installations: Connect the toilet to the vertical stack using a: double fixture fitting, double combination wye and 1/8 bends, or double wye and 1/8 bends.

ADA, OBC, CSA B651 compliant when installed to the specific requirements of these regulations.

Plumbing codes may require elongated toilets and elongated, open-front seats in public bathrooms.

Accessibility standards may require controls to be located on the open side of the toilet.