

### Features

- Made of Solid Polypropylene - resistant to staining, fading, chipping and peeling
- Ergonomic contour adds additional comfort.
- An integrated handle allows the user to easily raise and lower the ring
- The Self-Sustaining Check hinge will prevent the seat from slamming and require a forced open and closure along with the check hinge functionality



### Codes/Standards





None Applicable

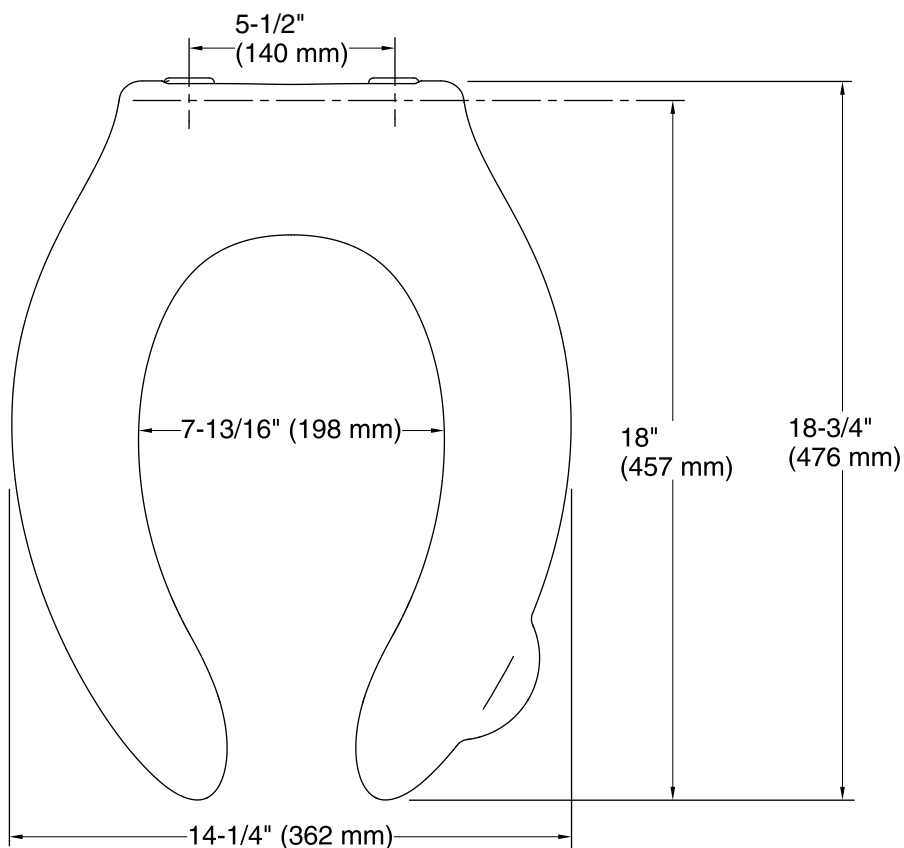
### KOHLER® One-Year Limited Warranty

See website for detailed warranty information.

### Available Colors/Finishes

*Color tiles intended for reference only.*

Color	Code	Description
	0	White
	96	Biscuit
	47	Almond
	7	Black Black™



### Technical Information

All product dimensions are nominal.

Seat shape type: Elongated  
Seat front type: Open-front  
Seat hinge type: Self-sustaining, Check  
Seat-mounting holes: 5-1/2" (140 mm)

### Notes

Install this product according to the installation guide.