

Features

- Digitally controlled thermostatic mixing valve.
- Anti-scald protection.
- Up to 13 gpm (gallons per minute) maximum flow rate (8.0 gpm maximum from one outlet).
- Two independently controllable 1/2" outlets with copper tube connections.
- 1/2" inlets with copper tube connections.

Material

- Reinforced engineering-grade thermoplastic body.

Installation

- Mounts within a standard 2"x4" wall.
- Install valve up to 20' away from the interface (cable included with UI).
- Distance can be extended with a standard RJ-11 phone extension cord.

Required Products/Accessories

K-527 digital shower interface, portrait setting

or

K-527-E digital shower interface with eco-mode diverter

or

K-29200 wall-mount bath fill interface

or

K-29201 wall-mount bath/shower interface

or

K-29202 dual-outlet digital shower interface

or

K-29202-E dual-outlet shower interface w/eco-mode diverter

or

K-29204 Deck-mount bath fill interface

or

K-29205 deck-mount bath/shower interface

Included Components

Additional Components:

Mounting hardware



Codes/Standards

ASME A112.18.1/CSA B125.1

ASSE 1016/ASME A112.1016/CSA B125.16

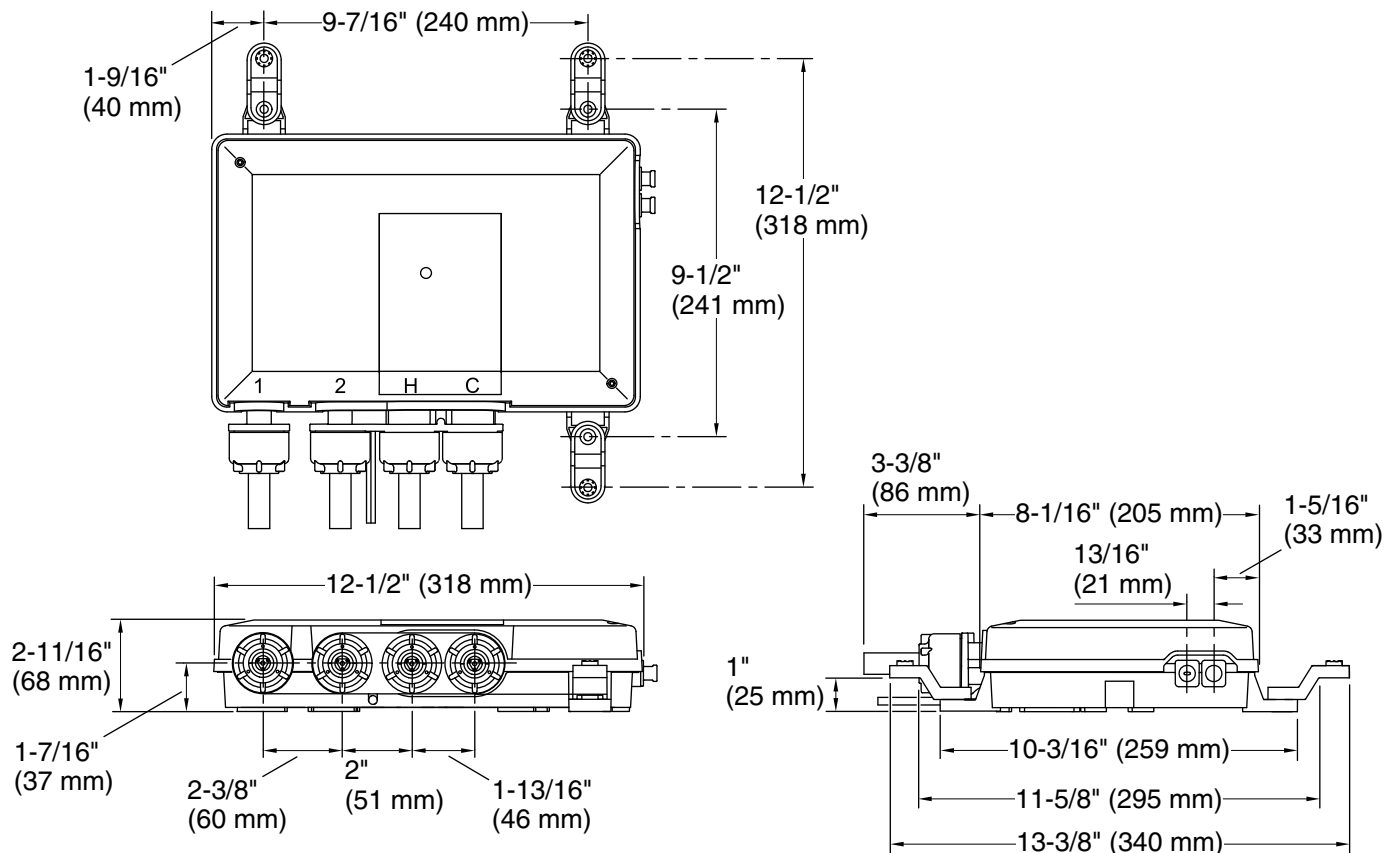
UL 1951

CSA C22.2 No. 14

CSA C22.2 No. 68

KOHLER® Electronic Faucets, Valves, and Controls Five-Year Limited Warranty

See website for detailed warranty information.



Required Electrical Service

One circuit required, protected with Class A Ground-Fault Circuit-Interrupter (GFCI). Outside North America, this device may be known as a Residual Current Device (RCD).

120 V, 15 A, 60 Hz

Technical Information

All product dimensions are nominal.

Power source: Plug - AC, included

Shower Valve:

Flow rate - Max: 13 gal/min (49.2 l/min)

Flow rate - Min: 1.6 gal/min (6.1 l/min)

Min. pressure IN: 45 psi (3.1 bar)

Valve body: Plastic

Drain included: No

Max. Ambient temp: 104°F (40°C)

Min. Operating temp: 86°F (30°C)

Max. Operating temp: 120°F (48.9°C)

Max. Relative humidity non-condensing: 95%

Notes

Install this product according to the installation instructions.

For use with showerheads or handsprays rated at 1.6 gal/min (6.1 l/min) or higher.

If used for bath-shower system, the bath spout must be connected to the #1 outlet port.

Provide access for servicing valve.

Use 1/2" supply lines.

Do not install this valve in walls exposed to subfreezing temperatures.

Avoid mounting the valve in a wall adjacent to a frequently occupied room.

Pressure regulators are recommended in applications where large pressure swings are anticipated or pressure differences between the supplies exist.

Water hammer arrestors and shut-offs are required in both the hot and cold supplies. Shower drain capacity must meet the shower system flow rate.