

Features

- Two-way diverter valve
- Diverter valve code-approved for backflow protection
- 15 gpm flow rate using 1/2" high-flow valves
- Handshower sold separately
- Coordinates with Components faucets, accessories, and showering components to complete your bathroom

Material

- Brass
- KOHLER finishes resist corrosion and tarnishing

Installation

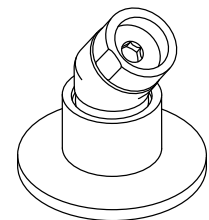
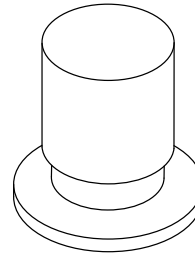
- Deck- or bath-mount

Recommended Products/Accessories

K-45415-AG Multifunction 1.75 GPM Handshower
K-72421-G Three-function handshower, 1.75 gpm
K-22165-G Four-function handshower, 1.75 gpm
K-22166-G Four-function handshower, 1.75 gpm
79583
K-23723 Faucet cleaner

Included Components

Additional Components:
GP78825



Codes/Standards

ASME A112.18.1/CSA B125.1

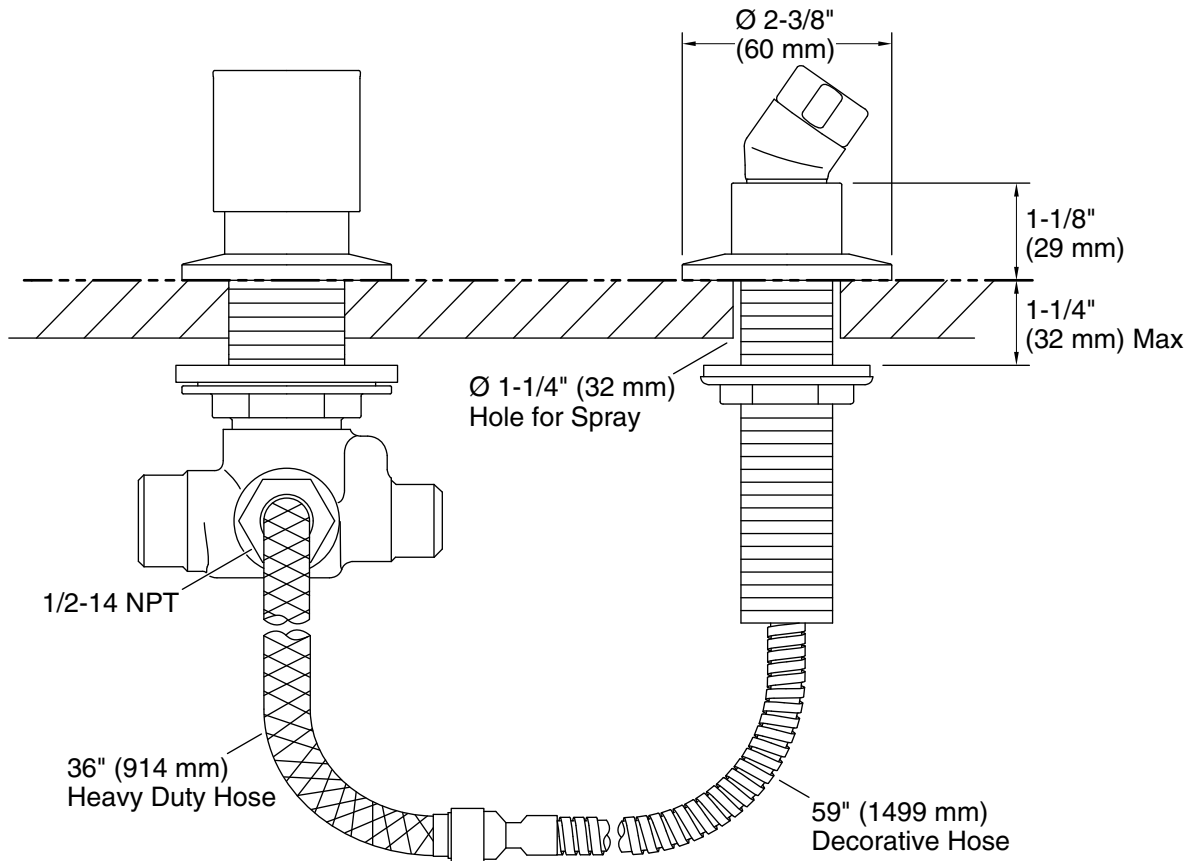
KOHLER® Faucet Lifetime Limited Warranty

See website for detailed warranty information.

Available Colors/Finishes

Color tiles intended for reference only.

Color	Code	Description
	CP	Polished Chrome
	BN	Vibrant® Brushed Nickel
	BL	Matte Black
	2MB	Vibrant® Brushed Moderne Brass
	TT	Vibrant Titanium



Technical Information

All product dimensions are nominal.

Shower Valve:

Flow Rate (Max) @ 45 psi	15 gal/min (56.8 l/min)
Pressure:	45 psi (3.1 bar)
Maximum (Static) Pressure:	125 psi (8.6 bar)
Valve body:	Cast brass
Drain included:	No

Notes

Install this product according to the installation instructions.