

Features

- Project pack: Supplied 12 per case.
- Includes faceplate with handle, shower arm and flange.
- Single handle controls both on/off activation and temperature settings.
- Faceplate includes red and blue temperature indexing.
- For use with any KOHLER showerhead (sold separately).
- Complements Coralais faucets and accessories.



Material

- Premium material construction with metal handle ensures reliability and durability.
- KOHLER finishes resist corrosion and tarnishing.



Installation

- Trim only; requires valve to complete installation (sold separately).

Required Products/Accessories

K-2971-KS 3/4" Pressure-balancing Valve

or

K-304-CS Pressure-balancing Valve With Stops

or

K-304-CX Pressure-balancing Valve Less Stops

or

K-304-K Pressure-balancing Valve Less Stops

or

K-304-KS Pressure-balancing Valve With Stops

or

K-304-PS Pressure-balancing Valve With Stops

or

K-304-PX Pressure-balancing Valve Less Stops

or

K-304-US Pressure-balancing Valve With Stops

or

K-304-UX Pressure-balancing Valve Less Stops

or

K-P304-CS Pressure-balancing Valve With Stops

or

K-P304-CX Pressure-balancing Valve Less Stops

or

K-P304-K Pressure-balancing Valve Less Stops

or

K-P304-KS Pressure-balancing Valve With Stops

or

K-P304-PS Pressure-balancing Valve With Stops

or

K-P304-PX Pressure-balancing Valve Less Stops

or

K-P304-UX Pressure-balancing Valve Less Stops

or

K-P304-US Pressure-balancing Valve With Stops

Codes/Standards

ASME A112.18.1/CSA B125.1

KOHLER® Faucet Lifetime Limited Warranty

See website for detailed warranty information.

Available Colors/Finishes

Color tiles intended for reference only.

Color	Code	Description
	CP	Polished Chrome

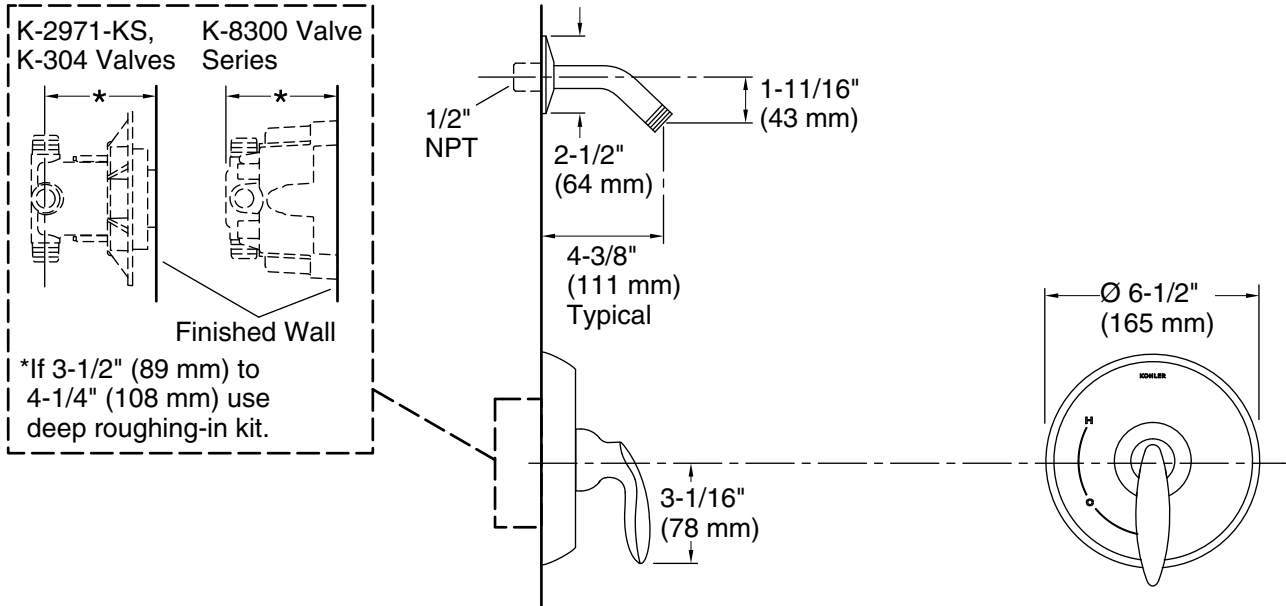
1-800-4KOHLER (1-800-456-4537)

Kohler Co. reserves the right to make revisions without notice to product specifications.

For the most current Specification Sheet, go to www.kohler.com.

5-29-2021 08:53 - US/CA

THE BOLD LOOK
OF **KOHLER**®



Technical Information

All product dimensions are nominal.

Notes

Install this product according to the installation guide.

NOTICE: Risk of product damage. Long screws for installing trim can damage the K-2971-KS valve. Consult the trim installation guide to verify if the thin wall installation kit (88526) is needed.