

Specifications:

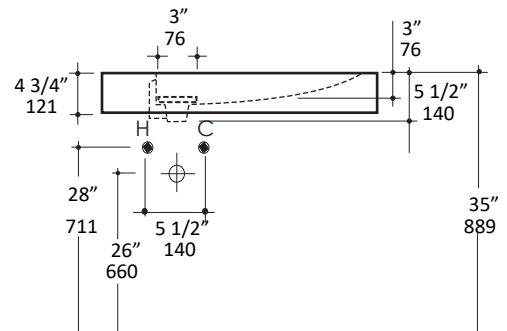
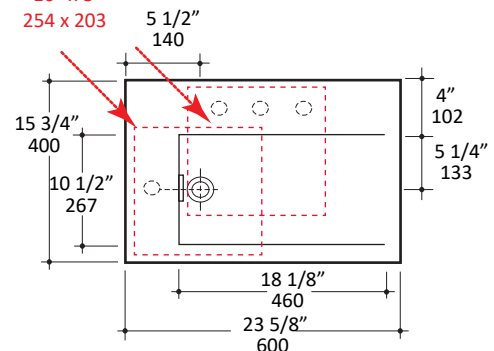
Installation:	Vanity-top or vessel
Exterior Dimensions:	23 5/8" w x 15 3/4" d x 5 1/2" h
Material:	Solid surface
Weight:	Matte white - 28 lbs Gloss white - 36 lbs
Overflow:	Yes
Finishes:	001M - Matte white 001G - Gloss white
Faucet Holes:	00 - no hole 01 - one centered over drain 02 - two on the long deck - center and right 03 - three in 8" spread on the long deck Other holes drilled to order when requested - please mark in the specs
Cut-out Size:	10" x 8" (template available upon request)
Faucet Hole Size:	Ø 1 3/8"
Drain Hole Size:	Ø 1 3/4"



Features:

- Solid surface sink with overflow
- Most standard American drains can also be used
- Glazed back
- Unglazed bottom
- Material is heat, stain, scratch, chemical, and impact resistant
- Designed by Paolo Demarco
- DE311LH - sink on the left
- DE311RH - sink on the right

CUT OUT
10" x 8"
254 x 203



Codes + Standards:

- Meets and exceeds applicable national codes and standards



compliant when installed to specific requirements of this regulation

Recommended Items:

- European drain with overflow
 - 7100-18OF

LACAVA reserves the right to revise any dimension or information on this sheet without notice. Dimensions are nominal and may vary within an industry accepted tolerance of 1/4". Drawings provided herein are meant to give the user an idea of the product and are not made to scale.
Revised: 8/12/2019