

Specifications:

Installation:	deck-mount 1-hole, touch-free
Exterior Dimensions:	H: 6 3/4" SPOUT: 5 3/4"
Material:	solid brass construction
Water use:	1 GPM (EX10A), 0.5 GPM (EX10A.5), 0.35 GPM (EX10A.35)
Power supply:	AC/DC
Finishes:	CR - polished chrome PN - polished nickel NI - brushed nickel BG - brushed gold 44 - matte black TN - titanium
Cutout Size:	Ø 1 3/8"
Accessories included:	power adapter, flexible supply line F 1/2" and battery box



Features:

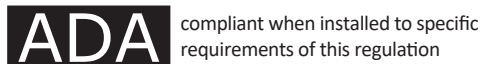
- Power supply options:
AC - transformer with a plug to electricity and/or
DC - battery pack for 4 x AA alkaline batteries
(batteries not included)
- on average lasts for 108,000 use cycles
- For cold or premixed water (mixer sold separately)
- 10 seconds metering cycles
- Sensing distance by default: 4" (10cm)
- Sensing range: 4"-12" (10cm - 31cm) adjustable with a screwdriver on backside of the sensor
- Water pressure: 15-90 PSI, recommended 43.5 PSI
- Water temperature: 34-120° Fahrenheit (1-50° Celsius)

Warnings:

-NO REFLECTIVE MIRROR-LIKE SURFACES SHOULD BE INSTALLED UNDERNEATH THE INFRARED SENSOR REGARDLESS OF THE DISTANCE

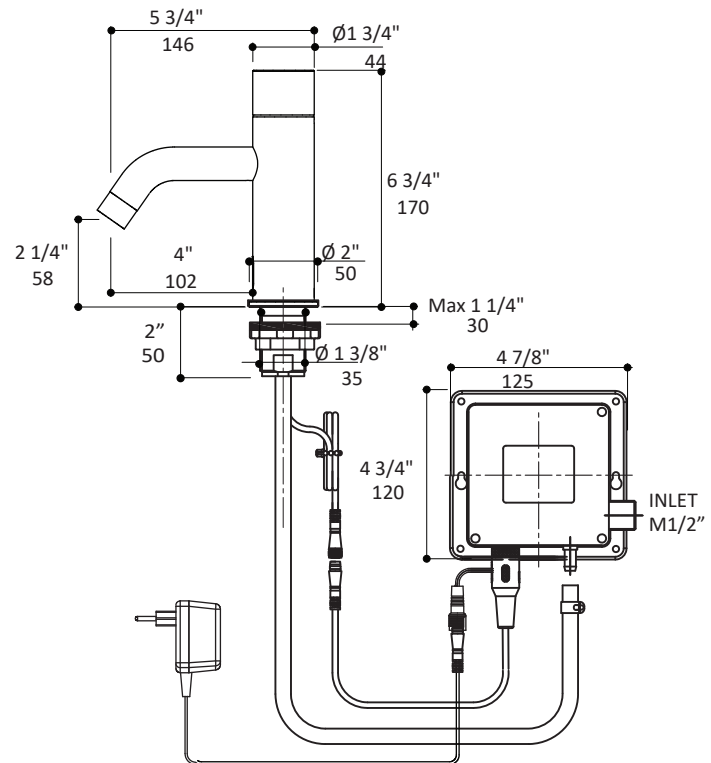
Codes + Standards:

- Meets and exceeds applicable national codes and standards
- 1 GPM Watersense certified (EX10A)
- 0.5 GPM CAL-Green compliant (EX10A.5)
- 0.35 GPM LEED Credit (EX10A.35)



Recommended Items:

- Replacement parts:
 - #4ABATPK - replacement battery pack
 - #EX10A-SENR replacement sensor
- Mixing valves (sold separately)
 - #EX20A - mechanical mixing valve
 - #EX25A - integrated thermostatic valve
- American size grid drains
 - #7100-18 - without overflow holes
 - #7100-18OF - with overflow holes



LACAVA reserves the right to revise any dimension or information on this sheet without notice. Dimensions are nominal and may vary within an industry accepted tolerance of 1/4". Drawings provided herein are meant to give the user an idea of the product and are not made to scale. Location of plumbing is meant for reference, your specific application may vary.

Revised: 5/6/2019