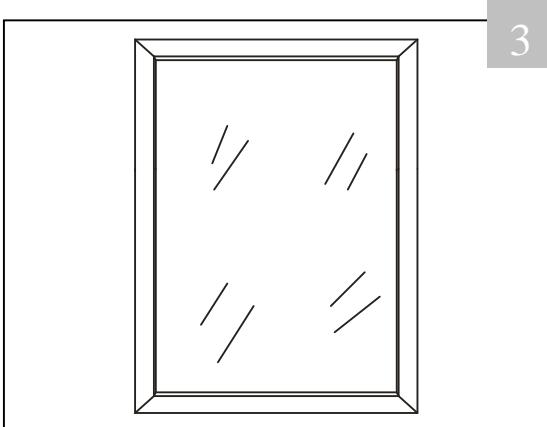
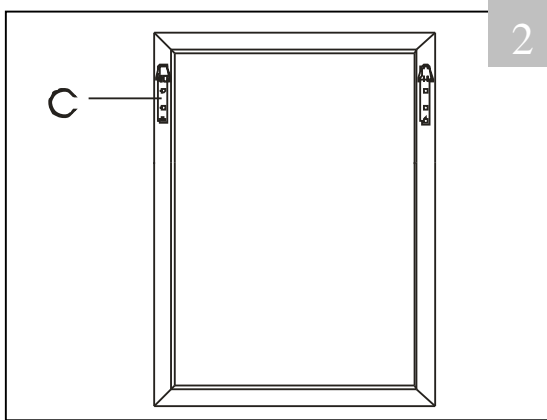
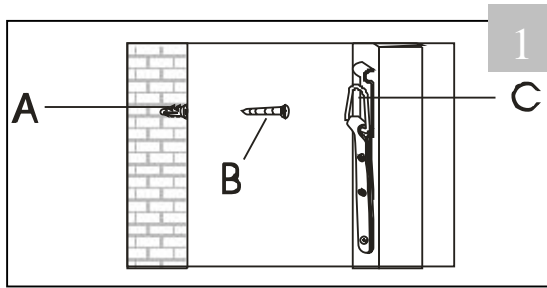


MIRROR INSTRUCTION GUIDE



When you begin to install the mirror, please follow the steps below.

1. Find a suitable height on the wall, and drill a hole (A) into the wall, and then thread the screw (B) into the hole (A) where there is no solid backing to the wall for the screw to mount to, weigh your mirror, and use an appropriately sized hollow wall anchor. Follow manufacturer's instructions.

Please leave a section of the screw projecting out, and do not thread the whole screw into the wall.

2. Hang the hooks (C) at the back of the mirror onto the screw (B) which extend out from the wall.
3. The mirror is now installed!