

INSTALLATION INSTRUCTIONS

Item#4853-686

READ AND SAVE THESE INSTRUCTIONS

WARNING! SHUT POWER OFF AT FUSE OR CIRCUIT BREAKER .
AVERTISSEMENT! COUPER LE COURANT AU NIVEAU DES FUSIBLES OU DU DISJONCTEUR.

ASSEMBLING THE FIXTURE (Fig.2)

1. Shut off the power at the fuse box or circuit breaker. If necessary, remove the existing fixture and its mounting hardware from the ceiling.
2. Carefully remove the new fixture from the carton and check that all parts are included as shown in the illustration.
3. Attach the decorative loop (G) onto the threaded nipple at the top of the fixture body (I) by turning in a clockwise direction by hand until tight. Secure the decorative loop (G) in place by tightening the small inner screw in decorative loop (G) using Allen Wrench (H) until secure. **The decorative loop is mounted on the front.**
4. Determine the desired hanging height and thread rods (F, E) and swivel joint (D) to the decorative loop (G). Feed the wires carefully through each rod during assembling.
5. Attach the canopy (C) with the washer (B) and the hex nut (A) to the top of the swivel joint (D), then lock the canopy (C) and with the hex nut (A).

MOUNTING THE FIXTURE (Fig.1)

6. Determine the desired location of the light fixture and temporarily install the Mounting Plate to the ceiling junction box using the Mounting Screws, mark the plastic anchors locations of the Mounting Plate on the ceiling using a pencil.
7. Mount the plastic anchor to the ceiling. Secure the mounting plate onto the junction box, using mounting screws (**Size: #8-32N*L0.5"**) and uses the wood screws to tighten the mounting plate. The side of the mounting plate marked "GND" must face out.

CONNECTING THE WIRES (Fig.3)

8. Connect the electrical wires as shown in figure 3, making sure that all wire connectors are secured. If your outlet box has a ground wire (green or bare copper), connect the fixture's ground wire to it. Otherwise, connect the fixture's ground wire directly to the mounting plate using the green screw provided. After wires are connected, tuck them carefully into the ceiling junction box.

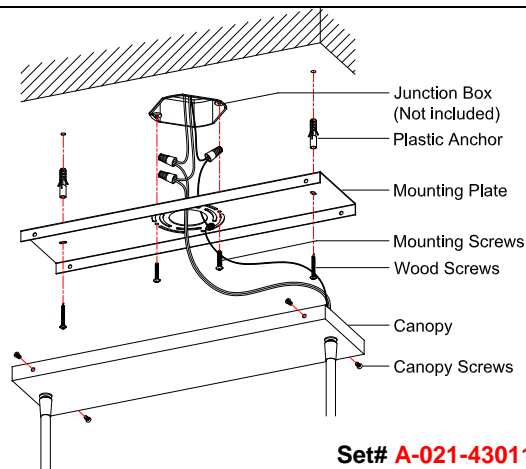
FINISHING THE INSTALLATION (Fig.1) (Fig.2)

9. Place the canopy over the mounting plate, Insert the canopy screw and tighten to secure the canopy.
10. Place the tube (J) over the socket of the fixture body (I).
11. Place the metal cup (K) over the tube (J).
12. Install the light bulbs (not included) in accordance with the fixture's specifications: **DO NOT EXCEED THE MAXIMUM WATTAGE RATING! (NE PAS DEPASSER LA PUISSANCE NOMINALE MAXIMALE!)**
13. Place the shade glass (L) over the metal cup (K).
14. Place the ring (M) over the shade glass (L).

Your installation is now complete. Return power to the junction box and test the fixture.

Note: Illustration (Fig.1) (Fig.2) on this manual is for installation purposes only. It may or may not be identical to the fixture purchased.

Fig.1



Set# A-021-430110
 - Mounting plate
 - Ground Screw
 - Mounting Screw*2

Fig.2

Rod*2 # W30-H-66
 Rod*6 # W30-1-66

Candle cover#
 CCV20048P-AGL

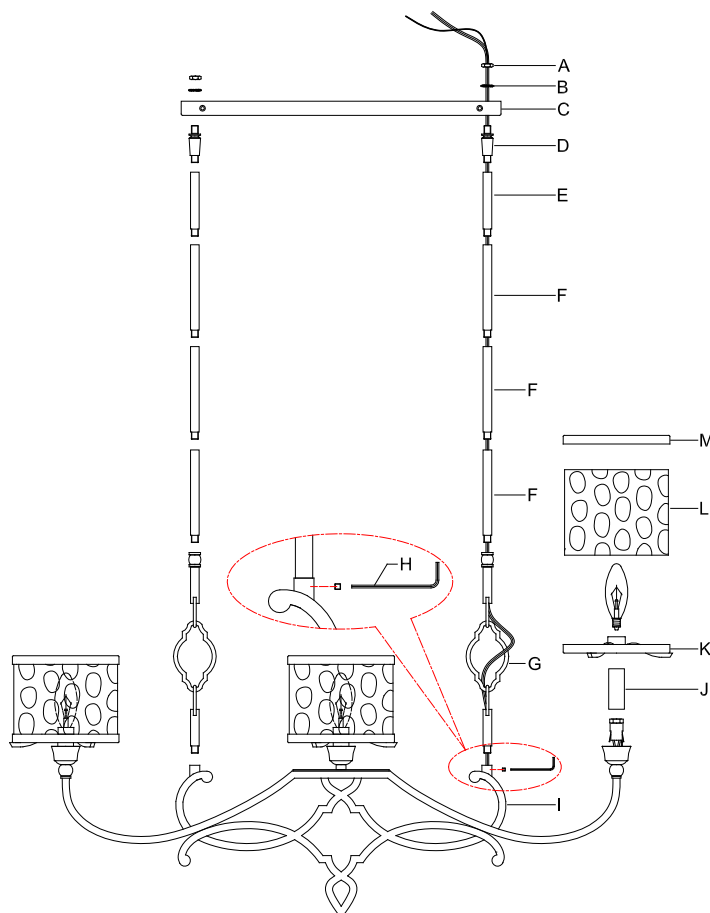


FIG.3	FIXTURE WIRES	HOUSE WIRES	FIXTURE WIRES	HOUSE WIRES	FIXTURE WIRES	HOUSE WIRES
	Black or Smooth	Black	White or Ribbed	White	Bare Copper (Ground)	Green or Bare Copper (Ground)

