

# Technical Specification

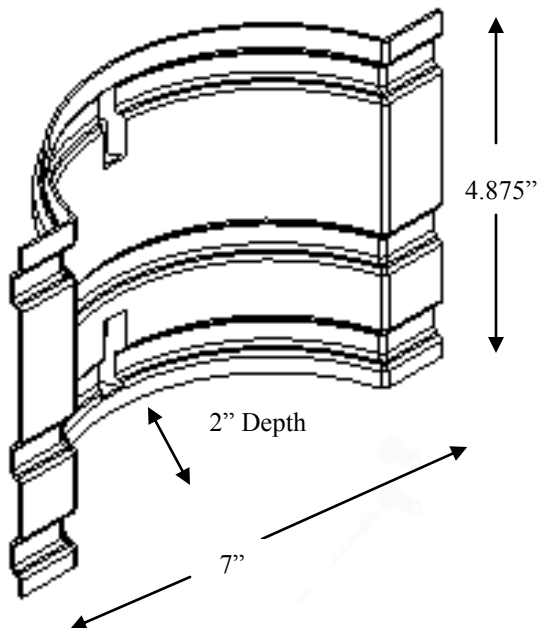
## Installation Clamp

588

### Stock Numbers:

- **588 – Installation Clamp**  
Use with all screw mounted recessed fixtures.  
Box Pack

### Dimensions:



### Materials:

Installation C-Clamp is stamped from type **304 steel**.

### Installation Instructions:

1. Position C-clamp on recessed fixture as desired. Mount C-Clamp using 2" stainless steel screws (**not provided**). Insert into wall opening.

### Cleaning Instructions:

To preserve the fine finish of this product, clean only with a soft damp cloth. Dry well. Do not use commercial or abrasive cleaners.

**Stock Number:** \_\_\_\_\_ **Installation C Clamp**  
**By Creative Specialties**



25300 AL MOEN DRIVE • NORTH OLMS TED, OH 44070  
CORPORATE HEADQUARTERS: (800) 321-8809 • FAX: (800) 848-6636  
INTERNATIONAL: (440) 962-2000 • FAX: (440) 962-2726  
CUSTOMER SERVICE (USA): 800-882-0116 • FAX: (888) 379-2720  
WWW.CSI.MOEN.COM

©Copyright Creative Specialties International

Literature # BA1749