

## Inline Heater

Inline water heating systems are available for MTI BASICS soakers, whirlpools and air bath packages. These systems use electricity to maintain the heat of the bath water and are not designed to heat cold water. The thermostat for these systems is pre-set by the manufacturer to maintain bath water temperature at 104° F, so the bather can enjoy the bath longer.

### For Whirlpools

The inline heating system for whirlpools is activated when the pump is turned on. No external switch is needed.

- The 650-watt inline heater draws 5.4 amps and requires a single 15 amp, 110 VAC dedicated circuit for the whirlpool pump with inline heater. This circuit must be connected to a supply that is protected by a ground fault circuit interrupter (GFCI). When inline heating system is added to Air Massage an additional circuit is required. See “For Soakers and Air Baths” below for more details.

NOTE: Inline Heaters are not sold separately.

### Inline Heater

For whirlpools (HTRMTIS)

### For Soakers, Air Baths and Stream Bath

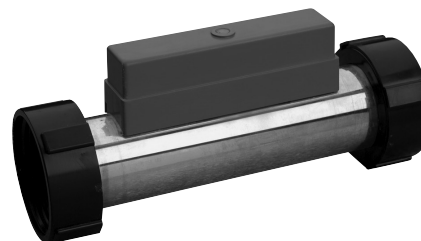
The inline heating system for soaking tubs and air baths is manually activated by an On / Off switch. This system gently recirculates the bath water through the inline heater, with negligible disturbance to the water.

- This system uses the 650watt inline heater described above and a 1/2 hp recirculating pump. This system draws 10.4 amps and requires a separate 15 amp, 110VAC dedicated circuit. Not available for freestanding tubs.

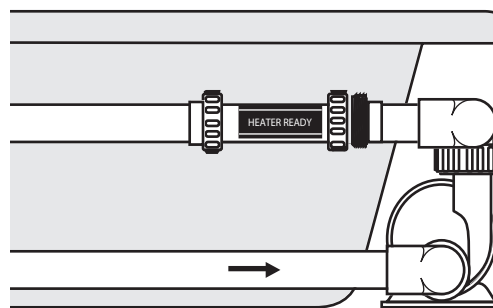
NOTE: Inline Heaters are not sold separately.

### Inline Heater with Recirculating Pump

For soakers and air baths (MBHTISOAK)



Inline heater



Inline heater connected to the standard pump



For soakers and air baths, the water is drawn in through an intake such as the one shown, flows through the inline heater and is reintroduced into the bath through an output that has the same appearance.