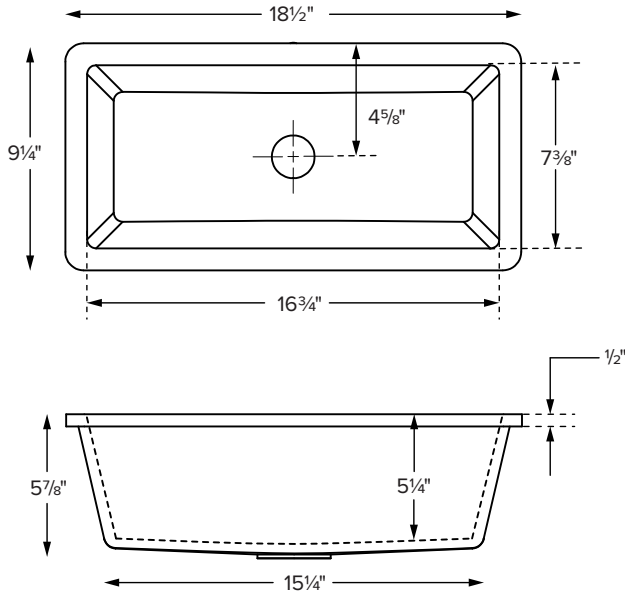


Petra 14



MODEL 775
18.5" x 9.25" x 5.875" Bowl: 16.75" x 7.375"
UNDERMOUNT ONLY
<b>SculptureStone®</b>
20 lbs / 9 kg



Due to its handcrafted nature, always measure sink on-site to ensure cut-out accuracy when undermounting.

**Sink Options and Pricing**

**Part #: MTCS775 \$1,000**

**Standard Color** White, matte finish  
**Biscuit Color Upgrade (SSBISNK) \$120** matte finish  
 Additional material colors available for projects only. Please call MTI.

**Hand-Polished Deep Gloss Finish Upcharge (SSGLOSSSNK2) \$530**  
 For White or Biscuit

**Quick Ship (QSPRI3) \$255** reduces lead time  
 Please call for availability.

**Options and Accessories**

**Drain Kits**

**Integrated Overflow no charge**  
 Rear Overflow (SINKIOR), Front Overflow (SINKIOF)

**Finger Touch Drain With Overflow**  
 Chrome (DKFGC) **\$185**, Brushed Nickel (DKFGBN) **\$180**

**Finger Touch Drain Without Overflow**  
 Chrome (DKFGCN) **\$185**, Brushed Nickel (DKFGBNN) **\$190**

**Grid Drain With Overflow**  
 Chrome (DKGDC) **\$130**, Brushed Nickel (DKGDBN) **\$180**

**Grid Drain Without Overflow**  
 Chrome (DKGDCN) **\$115**, Brushed Nickel (DKGDBNN) **\$180**

**Fixed Drain Without Overflow**  
 Chrome (DKFDC) **\$300**

**ORDERING AND INSTALLATION**

- 1.5" drain opening
- Optional overflow available for undermount (check local codes)
- Undermount only. Measure on site to achieve the proper cut-out size.
- Lip detail will accommodate commonly used undermount hardware. Undermount hardware is not included.
- One-piece construction using Engineered SculptureStone® (ESS) material.
- Non-porous, stain-, mold- and mildew-resistant SculptureStone®
- Material is approximately 70% organic
- Five-Year Limited Residential Warranty

• Before discarding packaging, check for accessories that may be inside.  
 • All product measurements are ±1/2".  
 • Specifications and configurations are subject to change without notice.  
 • Measurements herein supersede all others published prior to publication date below.

