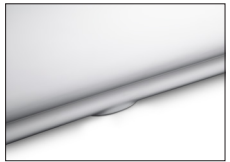
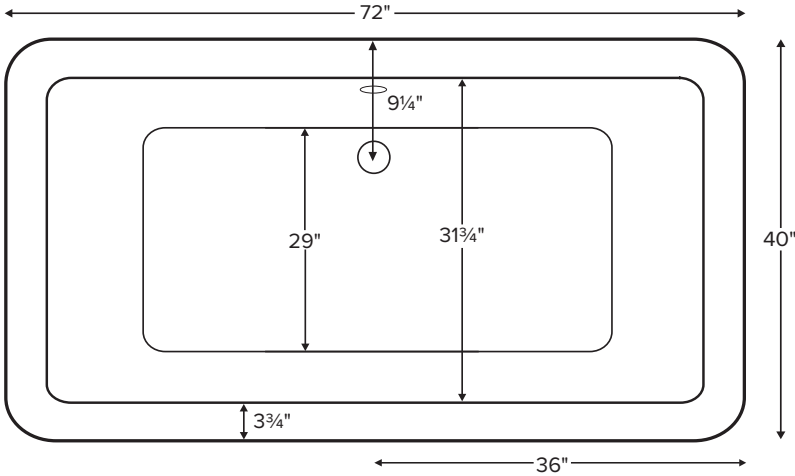




Parisian® 2 with Bun Feet

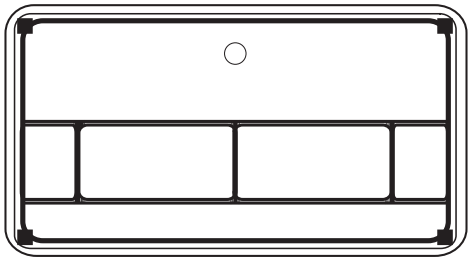
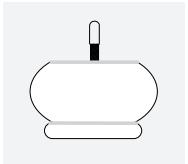
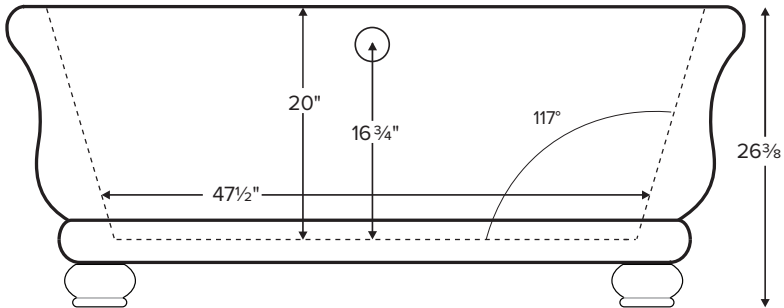
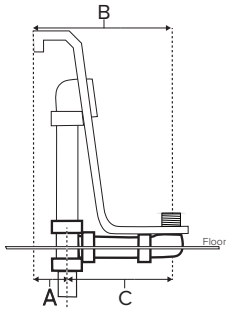
MODEL 178C	
72" x 40" x 26.375"	
FREESTANDING 87 gal to overflow	
Acrylic CXL®	DoloMatte®
250 lbs / 113 kg	<SOAKER> 281 lbs / 127 kg
Filling this tub to the maximum may require an above average size or dedicated water heater.	



Back of tub designed to accommodate rear drain.

Drain Rough-In Measurements

A	B	C
4 1/2"	9 1/4"	4 3/4"



Bottom view with frame for bun feet

ELECTRICAL COMPONENTS & SPECIFICATIONS
Available as Soaker only
CSA Certified C/US; ANSI Z124.1

See the Installation & Operation Manual for more details.
 MTI's Customer Service: Monday-Friday 8am-6pm EST
800-783-8827 or service@mtibaths.com

- Before discarding tub packaging, check for accessories that may be packaged inside.
- All product measurements are ±1/2".
- Specifications and configurations are subject to change without notice.
- Measurements herein supersede all others published prior to publication date below.

IMPORTANT ORDERING & INSTALLATION INFORMATION:

- Comes as a Soaker only.
- No access panel. Tub features factory-installed overflow with toe tap drain.
- Faucet valves cannot be installed on this tub model.
- All tubs are in accordance with CSA B45.5/APMO Z124 standard and compliant with ASTM C 1028-07 coefficient of friction. DoloMatte meets ANSI A137.1/A326.3 coefficient of friction and AS HB198:2014 pendulum slip resistance testing.



Parisian® 2 with Bun Feet
MODEL 178C
72" x 40" x 26.375"

Hydrotherapy Packages	Package Contents	Acrylic CXL®		DoloMatte®	
		Part #	MSRP	Part #	MSRP
Soaker	Soaking bath - no jets; includes factory-installed overflow with toe-tap drain kit in chrome finish, steel tub frame and bun feet. NOTE: Overall height with bun feet is 26¾".	S178C	\$12,265	S178CDM	\$12,985

Options <i>Must be ordered at time of purchase</i>
Standard Colors White (CWH) DoloMatte available in matte white only
Textured Bottom (TXTBTM) Acrylic CXL® only \$105 DoloMatte® exceeds ANSI A137.1/A326.3 and AS HB198 slip tests.

Accessories												
Pillows from \$180												
Teak Bath Mat (TKMAT3018) \$815 <i>Custom sizes also available. Contact MTI for details and pricing.</i>												
Floor-Mounted High-Flow Tub Filler Contemporary Chrome (FILLC) \$1,480 Brushed Nickel (FILLBN) \$1,710												
SculptureStone® Premium Faucet Stand												
<table border="0"> <tr> <td>15" w x 39" h</td> <td>10" w x 39" h</td> </tr> <tr> <td>Matte (SSFSR3915MT) \$2,365</td> <td>Matte (SSFSR3910MT) \$2,135</td> </tr> <tr> <td>Gloss (SSFSR3915GL) \$2,720</td> <td>Gloss (SSFSR3910GL) \$2,525</td> </tr> <tr> <td>20" w x 23" h</td> <td>15" w x 23" h</td> </tr> <tr> <td>Matte (SSFSR2320MT) \$1,930</td> <td>Matte (SSFSR2315MT) \$1,825</td> </tr> <tr> <td>Gloss (SSFSR2320GL) \$2,315</td> <td>Gloss (SSFSR2315GL) \$2,180</td> </tr> </table>	15" w x 39" h	10" w x 39" h	Matte (SSFSR3915MT) \$2,365	Matte (SSFSR3910MT) \$2,135	Gloss (SSFSR3915GL) \$2,720	Gloss (SSFSR3910GL) \$2,525	20" w x 23" h	15" w x 23" h	Matte (SSFSR2320MT) \$1,930	Matte (SSFSR2315MT) \$1,825	Gloss (SSFSR2320GL) \$2,315	Gloss (SSFSR2315GL) \$2,180
15" w x 39" h	10" w x 39" h											
Matte (SSFSR3915MT) \$2,365	Matte (SSFSR3910MT) \$2,135											
Gloss (SSFSR3915GL) \$2,720	Gloss (SSFSR3910GL) \$2,525											
20" w x 23" h	15" w x 23" h											
Matte (SSFSR2320MT) \$1,930	Matte (SSFSR2315MT) \$1,825											
Gloss (SSFSR2320GL) \$2,315	Gloss (SSFSR2315GL) \$2,180											

Drains & Overflow Kits *Must be ordered at time of purchase*

Toe Tap with Round Overflow – PVC Drain Kit <i>Overflow is factory-installed</i> Chrome (WOTTC) included Brushed Nickel (WOTTBNU) substitute free of charge

Finish Upcharge White (WOTTWU) \$35 Polished Nickel (WOTTPNU) \$60 Oil-Rubbed Bronze* (WOTTORU) \$65 Special Finishes* (WOTTSFU) \$790

