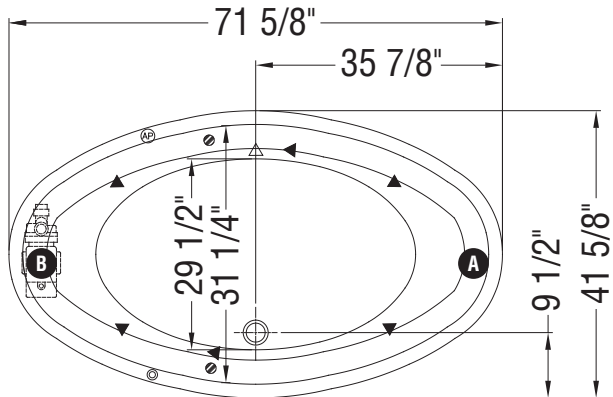
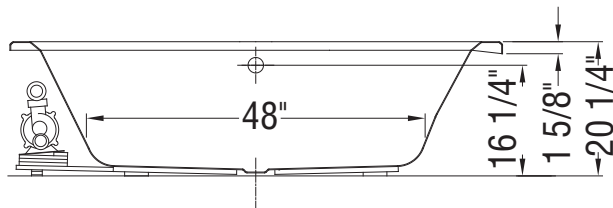
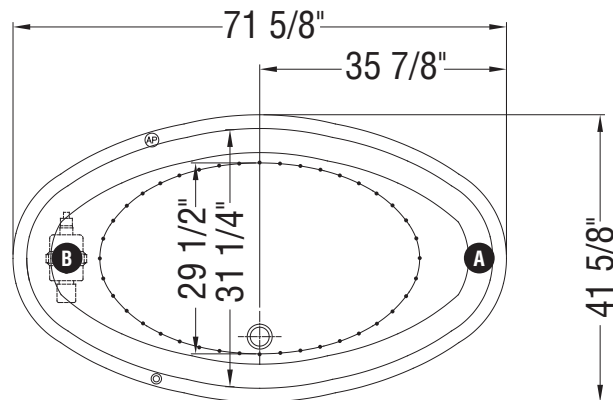


WHIRLPOOL SYSTEM



AIR SYSTEM



(A) : Standard blower and/or pump location

(B) : Optional blower and/or pump location

(▲) : Indicates Whirlpool jets positioning

(●) : Indicates airjets positioning

(△) : Indicates suction positioning

All dimensions are approximate. Structure measurements must be verified against the unit to ensure proper fit.