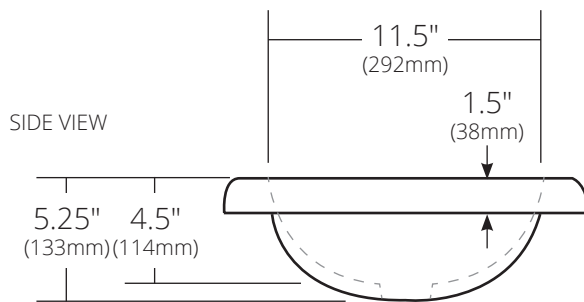
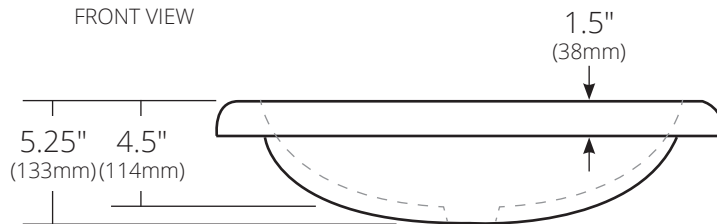
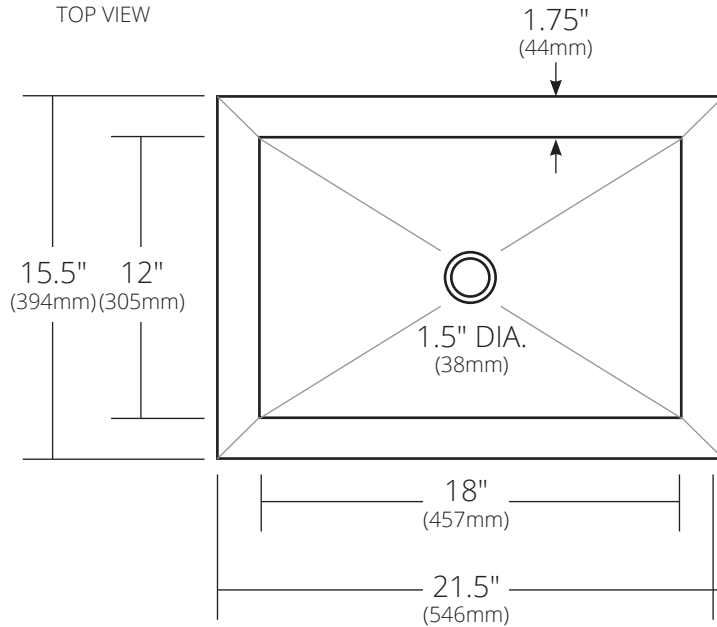


SPECIFICATIONS

MONTECITO

NativeStone® Collection



NSL2216-A Ash
 NSL2216-S Slate
 NSL2216-P Pearl
 NSL2216-E Earth

PRODUCT DETAILS

- 21.5" x 15.5" x 5.25" OD (546mm x 394mm x 133mm)
- 18" x 12" x 4.5" ID (457mm x 305mm x 114mm)
- 1.5" (38mm) drain opening
- Handcrafted from sustainable NativeStone®
- Sealed with impermeable nano sealer

INSTALLATION

- Drop-in

COORDINATING PRODUCTS

- Drains: DR120, DR130 or DR150
- NativeStone® Sealer

STANDARDS COMPLIANCE

- UPC/cUPC compliant
-  ADA COMPLIANT

IMPORTANT

Do NOT use tape or other adhesives on NativeStone® as it may remove the sealer.

Due to the handcrafted nature of this product, it will vary in finish, texture, and other details. Dimensions may vary up to .25" (6mm).