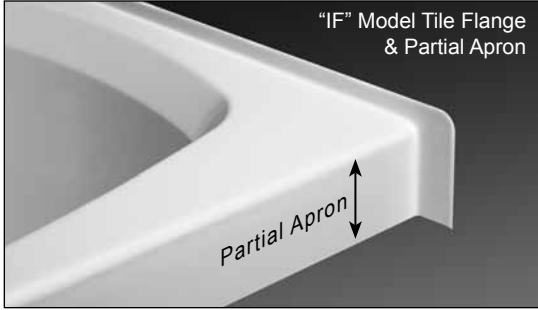


# BUILDER SERIES

**Oasis**



**Home Innovation**  
LAB CERTIFIED™



66-INCH WIDE MODELS

**Prestige 3466 (Tile Flange)**

Rough-In Dimensions	TR-S-220 TR-IF-220	66" wide x 35-1/2" deep x 22-1/4" high
---------------------	-----------------------	--

Finished Dimensions	TR-S-220 TR-IF-220	66" wide x 34-1/4" deep x 21" high
---------------------	-----------------------	------------------------------------

### Unit Features

- Vacuum Formed Acrylic
- 2" Dia. RH or LH Drain (see reverse side for location)
- 2-1/2" Dia. Overflow (see reverse side for location)
- Twin, Contoured Armrests
- "S" Model: Integral Tile Flange & Full Apron
- "IF" Model: Integral Tile Flange & Partial Apron
- Pre-Leveled Block Base System
- Balsa Wood Core Floor Structure
- Textured Floor Pattern

### Special Notes

- Whirlpool System Available (see reverse side for details)
- Air System Available (see reverse side for details)
- UL Listed Whirlpool & Air Systems
- Removable Access Panel Included on "S" Model w. System
- Model Available In Self-Rimming Design

### Unit / System Order Number

Acrylic: TR-S-220 R or L Drain / 0ND (soaking tub)  
 TR-S-220 R or L Drain / 6P (Builder System)  
 TR-S-220 R or L Drain / CWS (Carress System)  
 TR-S-220 R or L Drain / AR2 (Revive Air System)

### Unit / System Order Number

Acrylic: TR-IF-220 R or L Drain / 0ND (soaking tub)  
 TR-IF-220 R or L Drain / 6P (Builder System)  
 TR-IF-220 R or L Drain / CWS (Carress System)  
 TR-IF-220 R or L Drain / AR2 (Revive Air System)

### System Trim

Standard 6P & CWS Trim (order code): White trim on White unit (WHT) - Bone trim on Bone unit (BON) - Biscuit trim on Biscuit unit (BSC)

### Order Number / Description

CWS: *Carress System* includes: 4-Adjustable side jets, 2-rotating foot jets, 2-micro pulse back jets, variable flow control, twin air controls, electronic system control, 13.5 amp pump/motor, and a removable access panel (S model).

Options: In-Line Heater (1\*) (order: ILH)  
 Ozone Generator (1\*) (order: OZG)  
 Chromatherapy Pkg (1\*, 2\*) (order: CLT)  
 Water Level Sensor (1\*, 2\*) (order: LWV)  
 Trim Upgrade (1\*)  
 Chrome (order: CWS-CHR)  
 Brushed (Satin) Nickel (order: CWS-SNK)

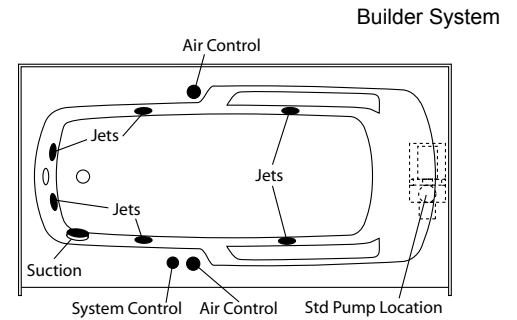
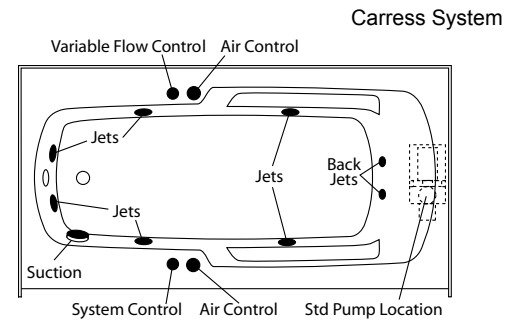
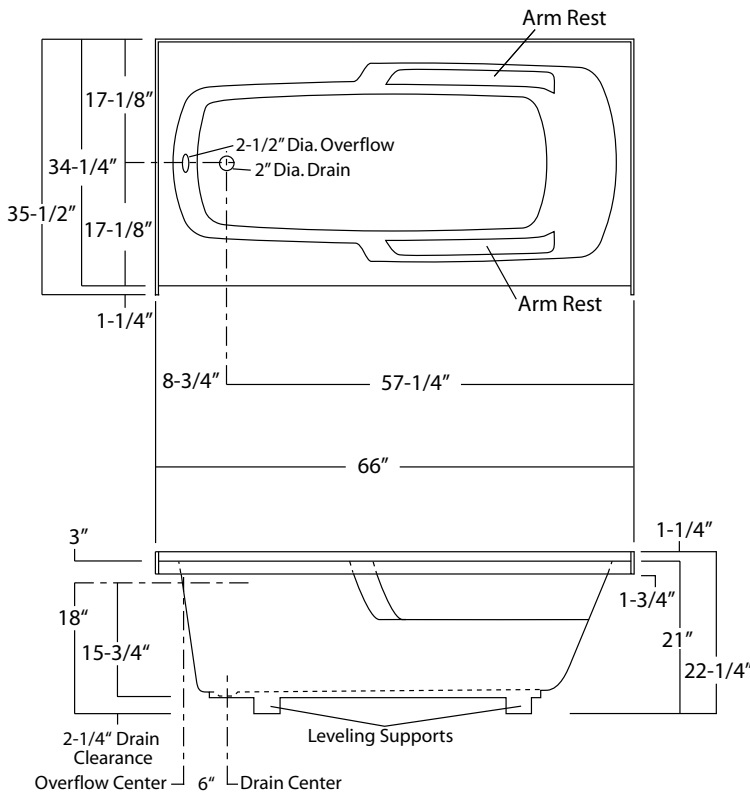
### Order Number / Description

6P: *Builder System* includes: 6-Adjustable jets, twin air controls, pneumatic system control, 5.50 amp pump/motor, and a removable access panel (S model).

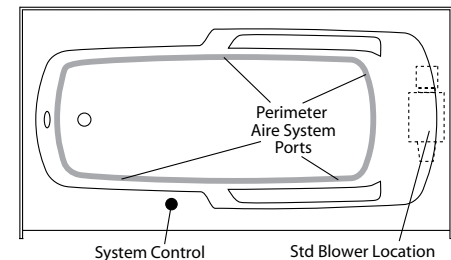
Options: In-Line Heater (1\*) (order: ILH)  
 Ozone Generator (1\*) (order: OZG)

AR2: *Revive Air System* (3\*) includes: (49) Perimeter air ports, electronic system control, 12.0 amp, 600-watt blower with ceramic heater, and a removable access panel (S model).

Notes: (1\*) Factory installed options  
 (2\*) Includes system control upgrade  
 (3\*) Available on acrylic models only



### Revive Aire System



Prestige 3466: TR-IF-220L (illustrated)  
 (S model full apron extends down to room floor)  
 Sump Dimen: 53" long x 20-1/2" wide x 17-3/4" deep  
 Sump Capacity: 57 gal. (unoccupied - to overflow)  
 Whirlpool Operating: 26 gal.

Photographic images may include optional components and appear different than actual product. Dimensions shown are maximum. Due to the nature of the materials involved, actual unit dimensions can vary (tolerances: +0 / -3/8 inch). Oasis reserves the right to modify or discontinue product and/or associated equipment without prior written or verbal notification or obligation.