



Performa™

60" x 29" bath - left-hand drain
71041110



Features

- Durable high gloss finish.
- 60" (1524 mm) x 29" (737 mm) x 15" (381 mm) complete unit finished dimensions.

Material

- Compression molded from our exclusive solid Vikrell® material.



ADA

Codes/Standards



CSA B45.5/IAPMO Z124
ASTM E162
ASTM E662
Greenguard UL 2818 - Gold
ADA
ICC/ANSI A117.1
HUD, UM Bulletin 73

Warranty – Bathing Fixtures (and) Kitchen and Utility Sinks Made of Solid Vikrell® Material

See website for detailed warranty information.

Available Colors/Finishes

Color tiles intended for reference only.

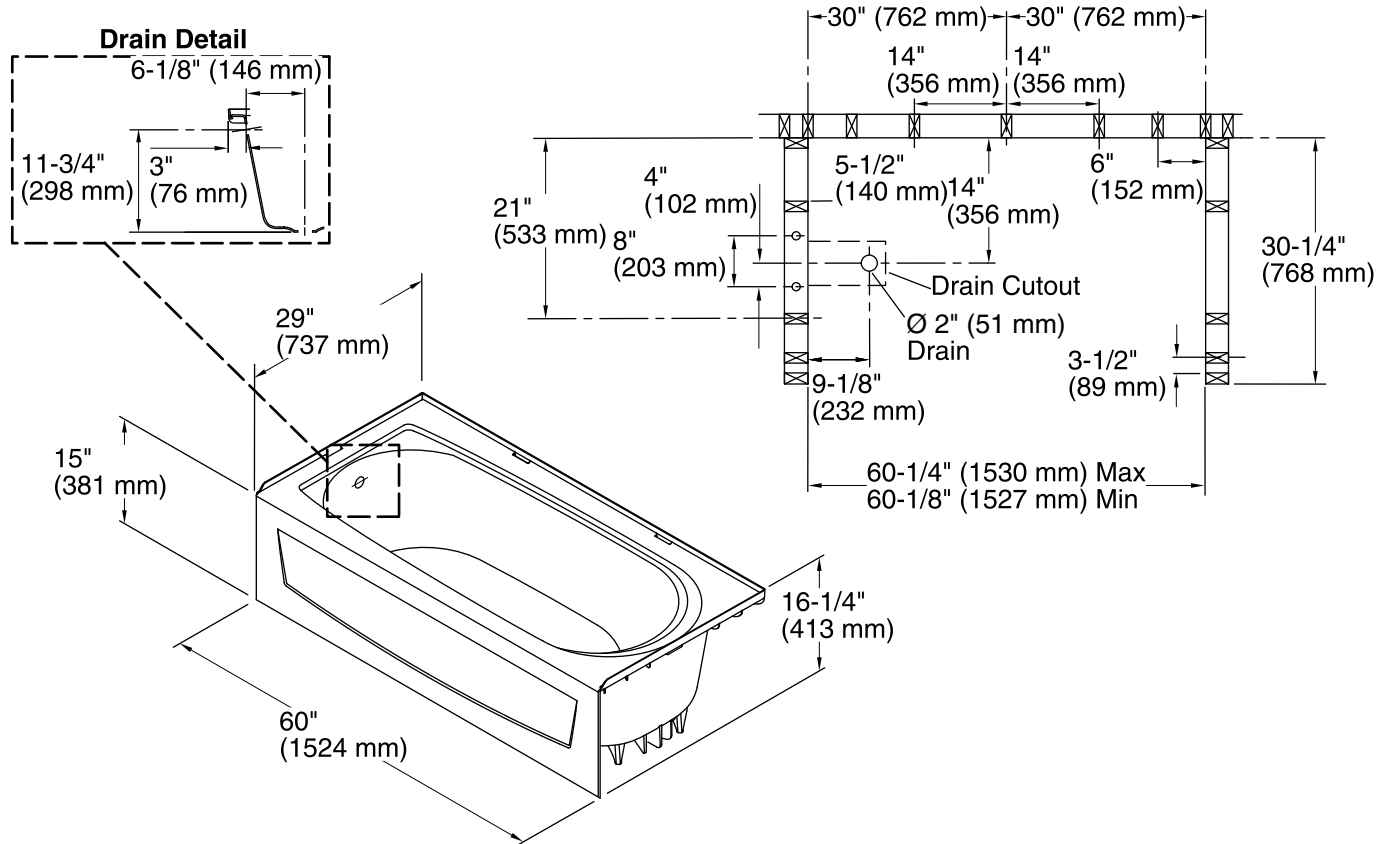
Color	Code	Description
	0	White
	96	KOHLER Biscuit

1-800-STERLING (1-800-783-7546)

Kohler Co. reserves the right to make revisions without notice to product specifications.

For the most current Specification Sheet, go to www.sterlingplumbing.com.

4-26-2019 00:11 - US



Technical Information

All product dimensions are nominal.

- Installation: Three-wall alcove
- Drain location: Left
- Basin area, bottom: 21" x 39" (533 mm x 991 mm)
- Basin area, top: 24" x 53" (610 mm x 1346 mm)
- Water depth: 10-1/4" (260 mm)
- Water capacity: 35 gal (132.5 L)
- Minimum flat for door: 1-3/4" (44 mm)
- Maximum door width: 60" (1524 mm)

Notes

- Install this product according to the installation instructions.
- Studs should be positioned roughly as shown. Double studding is recommended for pivot shower door installations.
- ADA compliant when installed to the specific requirements of these regulations.